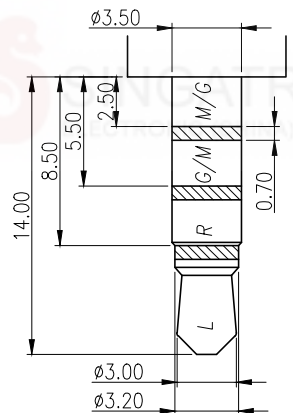
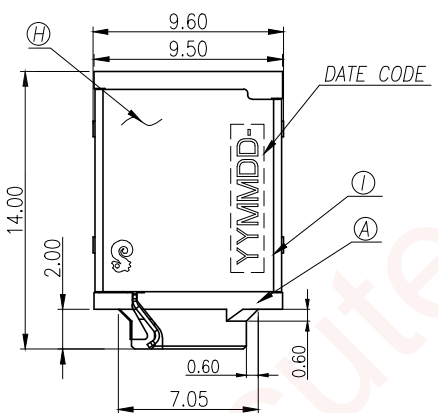


REV.	ECN NO OR DESCRIPTION	REVISED	DATE
A	PDR NO: T150407-8A	Danfeng	2015.06.19



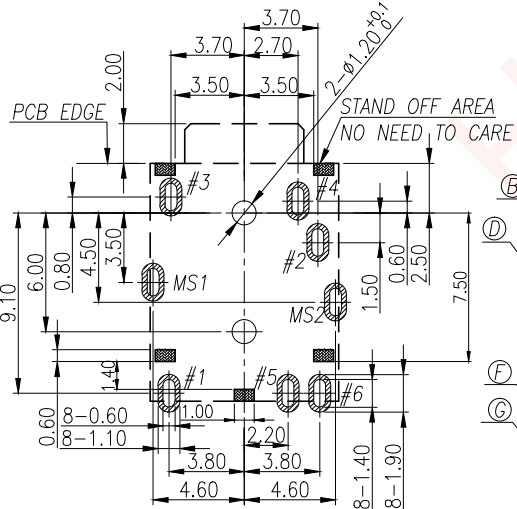
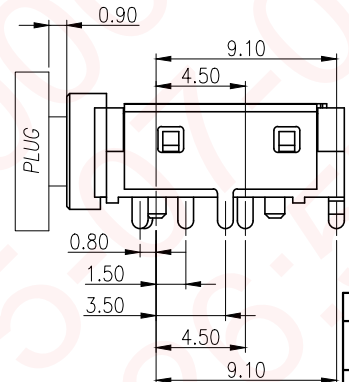
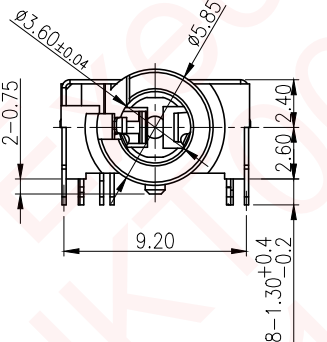
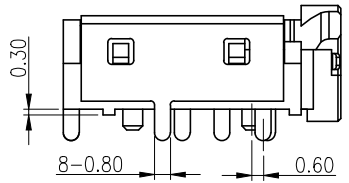
RECOMMENDED PLUG(±0.05)
ø3.5 4-POLE STANDARD PLUG



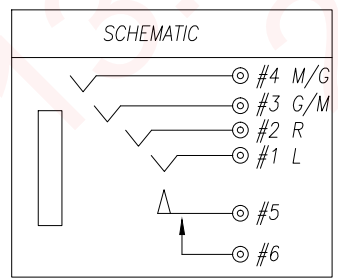
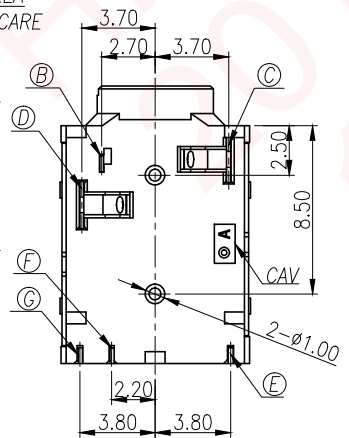
DATE CODE

SPECIFICATIONS:

1. INSULATION RESISTANCE BETWEEN ANY ADJACENT OPEN CIRCUIT TERMINAL SHELL NOT BE LESS THAN 100MΩ MEASURED BY 500 VDC .
2. CONTACT RESISTANCE: 30mΩ MAX(INITIAL).
3. INSULATION VOLTAGE WITHSTAND:500V AC FOR ONE MINUTE.
4. LIFE TEST: 5,000 CYCLES MIN.
5. INSERTION FORCE: 0.3-3.0Kgf ,
6. WITHDRAWAL FORCE: 0.3-3.0 Kgf,
7. AFTER TEST, CONTACT RESISTANCE: 100mΩ MAX.
8. AFTER HUMIDITY TEST, INSULATION RESISTANCE: 50MΩ MIN.
9. MARKING: MARK "S" ON TOP OF CONNECTOR.
10. PACKING : TAPE & REEL.
11. TO CONFORM TO SINGATRON HAZARDOUS SUBSTANCE FREE SPEC.
12. HALOGEN FREE PRODUCT IDENTIFICATION MARK ON PRODUCT:
13. HALOGEN FREE PRODUCT IDENTIFICATION LOGO ON PACKAGING:



RECOMMENDED PCB LAYOUT(TOP VIEW)
(TOLERANCE: ±0.05)



I	DESCRIPTION	QTY	MATERIAL	PLATING & COLOR
I	SHELL	1	COPPER ALLOY, 0.2t	NICKEL 60u" MIN. PLATING.
H	SEPERATE	1	HIGH TEMP.THERMOPLASTIC UL 94V-0	BLACK
G	MAKE TERMINAL	1	COPPER ALLOY, 0.2t	GOLD FLASH ON CONTACT AREA, MATTE TIN 120u" ON SOLDER TAIL, ALL OVER NICKEL 50u" MIN. PLATING.
F	TRANSFER TERMINAL	1	COPPER ALLOY, 0.2t	GOLD FLASH OVER NICKEL 50u"
E	TIP SPRING	1	COPPER ALLOY, 0.25t	
D	RING-A	1	COPPER ALLOY, 0.2t	GOLD FLASH ON CONTACT AREA,
C	RING-B	1	COPPER ALLOY, 0.2t	MATTE TIN 120u" ON SOLDER TAIL,
B	EARTH	1	COPPER ALLOY, 0.2t	ALL OVER NICKEL 50u" MIN. PLATING.
A	BODY	1	HIGH TEMP.THERMOPLASTIC UL 94V-0	BLACK
NO	DESCRIPTION	QTY	MATERIAL	PLATING & COLOR

UNLESS OTHERWISE SPECIFIED TOLERANCES		Singatron Enterprise Co., Ltd. 信音企業股份有限公司	
DECIMALS:	ANGLES:	TITLE: ø3.50 AUDIO JACK	
X :±0.5	X :±2°	DWN	Danfeng PART NO.2SJ3082-058111F
X.X :±0.3	X.X :±1°	CHKD	Brcue SCALE:1:1 UNIT: mm
X.XX :±0.2		APVD	Lussen SIZE: A3 SHEET:1 OF 1 REV: A
CUSTOMER COPY			