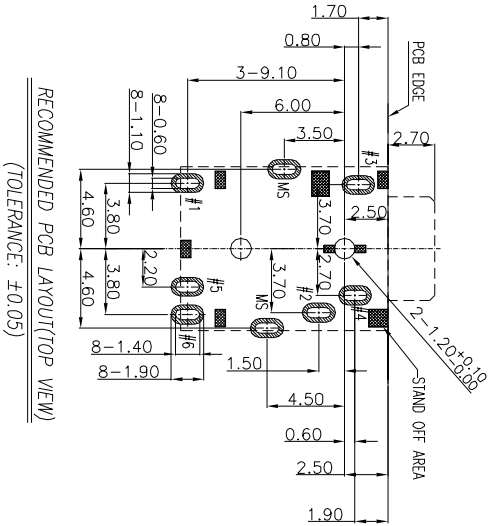
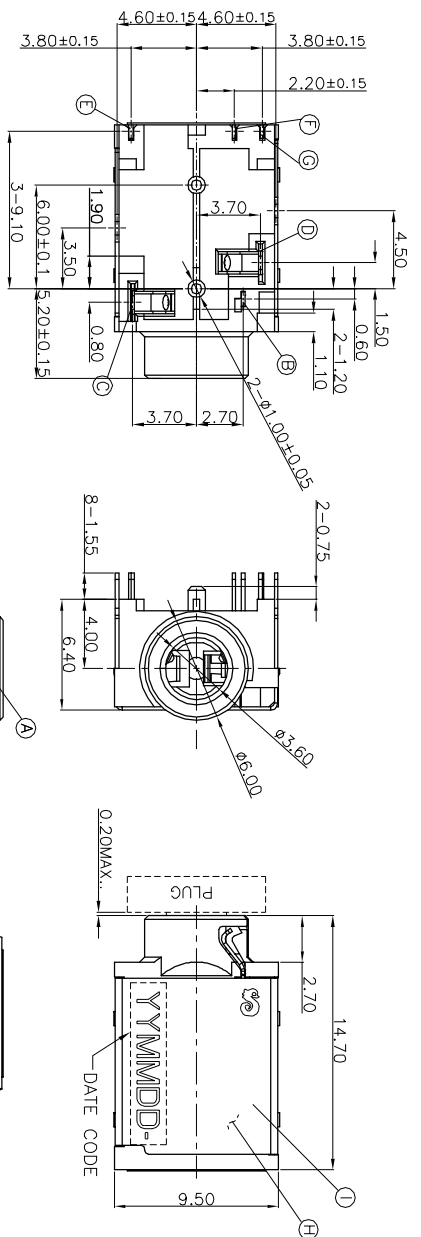
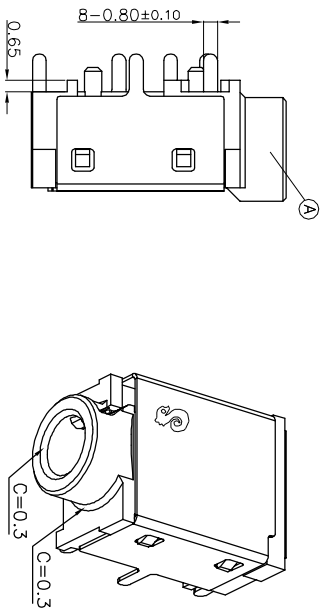
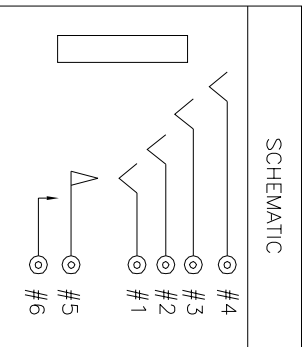


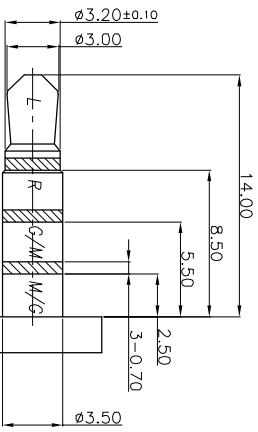
REV.	ECN NO	OR DESCRIPTION	REVISED	DATE
A	PDR NO:IT190517-2A	Quantity	2019.10.09	



RECOMMENDED PCB LAYOUT(TOP VIEW)
(TOLERANCE: ±0.05)



3D VIEW



RECOMMENDED PLUG(±0.05)
Ø3.5 4-POLE STANDARD PLUG

- SPECIFICATIONS:
- ELECTRICAL CHARACTERISTICS:
 - RATING: 12V 1A
 - CONTACT RESISTANCE: 50mΩ MAX.(INITIAL)
 - DIELECTRIC WITHSTANDING VOLTAGE: 500V AC FOR ONE MINUTE.
 - INSULATION RESISTANCE: 100MΩ MIN. MEASURED BY 500 VDC.
 - MECHANICAL CHARACTERISTICS:
 - INSERTION FORCE: INITIAL 0.3-3.0kgf;
 - WITHDRAWAL FORCE: INITIAL 0.3-3.0kgf;
 - LIFE TEST: 5000 CYCLES MIN.
 - AFTER LIFE TEST, CONTACT RESISTANCE: 100mΩ MAX.
 - PACKAGING : TAPE & REEL
 - AFTER HUMIDITY TEST, INSULATION RESISTANCE: 100MΩ MIN.
 - TO CONFORM TO SINGAPORE HAZARDOUS SUBSTANCE FREE SPEC.
 - HALOGEN FREE PRODUCT IDENTIFICATION MARK ON PRODUCT:
 - HALOGEN FREE PRODUCT IDENTIFICATION LOGO ON PACKAGING:
 - FOR REFLOW SOLDERING LEAD-FREE PROCESS.
 - PRINTED DATE CODE "YYMMDD" ON TOP OF CONNECTOR.

NO	DESCRIPTION	QTY	MATERIAL	PLATING & COLOR
J	MYLAR	1	MYLAR 0.075t	TRANSPARENT
I	SHELL	1	COPPER ALLOY, 0.2t	NICKEL 60μ" MIN. PLATING.
H	SEPERATE	1	HIGH TEMP.THERMOPLASTIC UL 94V-0	BLACK
G	MAKE TERMINAL	1	COPPER ALLOY, 0.2t	GOLD FLASH ON CONTACT AREA, WHITE TIN 120μ" ON SOLDER TAIL, ALL OVER NICKEL 50μ" MIN. PLATING.
F	TRANSFER TERMINAL	1	COPPER ALLOY, 0.2t	GOLD FLASH ON CONTACT AREA, WHITE TIN 120μ" ON SOLDER TAIL, ALL OVER NICKEL 50μ" MIN. PLATING.
E	TIP SPRING	1	SUS, 0.25t	
D	RING-A	1	COPPER ALLOY, 0.2t	GOLD FLASH ON CONTACT AREA, WHITE TIN 120μ" ON SOLDER TAIL, ALL OVER NICKEL 50μ" MIN. PLATING.
C	RING-B	1	COPPER ALLOY, 0.2t	GOLD FLASH ON CONTACT AREA, WHITE TIN 120μ" ON SOLDER TAIL, ALL OVER NICKEL 50μ" MIN. PLATING.
B	EARTH	1	COPPER ALLOY, 0.2t	
A	BODY	1	HIGH TEMP.THERMOPLASTIC UL 94V-0	BLACK
NO	DESCRIPTION	QTY	MATERIAL	PLATING & COLOR
UNLESS OTHERWISE SPECIFIED TOLERANCES				
Singatron Enterprise Co., Ltd. 信譽企業股份有限公司				
TITLE: Ø3.50 AUDIO JACK				
DWN	Quantity	PART NO. 2SJ3082-073111F		
CHKD	Bruce	SCALE:4:1	UNIT: mm	
APVD	Loo	SIZE: A3	SHEET:1 OF 1	REV: A
CUSTOMER COPY				