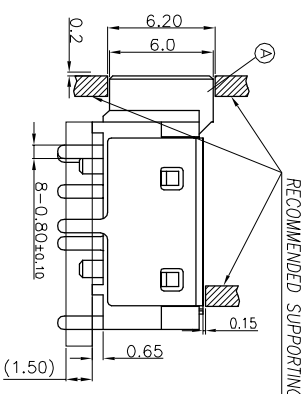
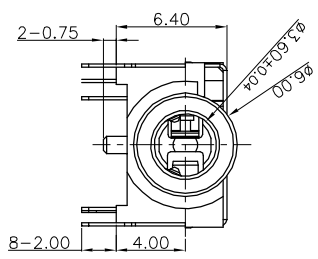
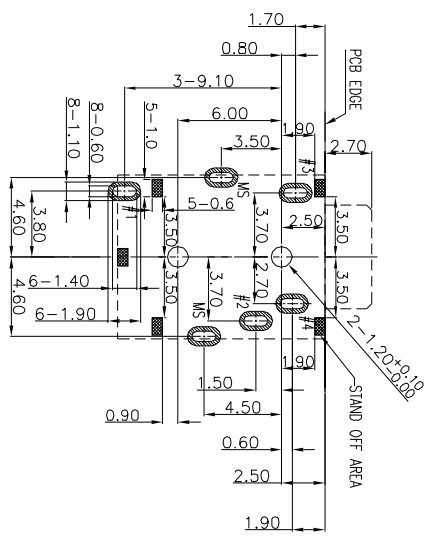
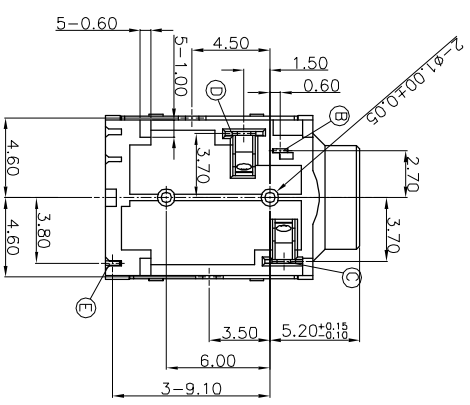


RECOMMENDED PLUG(±0.05)
Ø3.5 4-POLE STANDARD PLUG



RECOMMENDED SUPPORTING STRUCTURE



RECOMMENDED PCB LAYOUT(TOP VIEW)
(TOLERANCE: ±0.05)

REV	ECN NO OR DESCRIPTION	REVISED	DATE
A	PDR NO: C171019-4A	RAINY	2018.08.20

SPECIFICATIONS:
1. ELECTRICAL CHARACTERISTICS:
1-1. RATING: 12V 1A
1-2. CONTACT RESISTANCE: 50mΩ MAX.(INITIAL)
1-3. DIELECTRIC WITHSTANDING VOLTAGE: 500V AC FOR ONE MINUTE.
1-4. INSULATION RESISTANCE: 100MΩ MIN. MEASURED BY 500 VDC.

2. MECHANICAL CHARACTERISTICS:
2-1. INSERTION FORCE: INITIAL 0.3-3.0kgf;
2-2. WITHDRAWAL FORCE: INITIAL 0.3-3.0kgf;
3. LIFE TEST: 5,000 CYCLES MIN.
AFTER LIFE TEST, CONTACT RESISTANCE: 100mΩ MAX.
4. PACKAGING: TRAY
5. AFTER HUMIDITY TEST, INSULATION RESISTANCE: 50MΩ MIN.
6. TO CONFORM TO SINGATRON HAZARDOUS SUBSTANCE FREE SPEC.
7. HALOGEN FREE PRODUCT IDENTIFICATION MARK ON PRODUCT:
8. HALOGEN FREE PRODUCT IDENTIFICATION LOGO ON PACKAGING:
9. FOR REFLOW SOLDERING LEAD-FREE PROCESS.
10. PRINTED DATE CODE "YYMMDD-" ON TOP OF CONNECTOR.
11. PACKING : TRAY
12. TO CONFORM TO SINGATRON HAZARDOUS SUBSTANCE FREE SPEC.
13. HALOGEN FREE PRODUCT IDENTIFICATION MARK ON JACK: ©
14. HALOGEN FREE PRODUCT IDENTIFICATION LABEL ON PACKAGING:

I	SHELL	1	COPPER ALLOY, 0.2T	NICKEL 60μ" MIN. PLATING.
E	TIP SPRING	1	COPPER ALLOY, 0.25T	
D	RING-A	1	COPPER ALLOY, 0.2T	GOLD FLASH ON CONTACT AREA, WHITE TIN 120μ" ON SOLDER TAIL.
C	RING-B	1	COPPER ALLOY, 0.2T	ALL OVER NICKEL 50μ" MIN. PLATING.
B	EARTH	1	COPPER ALLOY, 0.2T	
A	BODY	1	HIGH TEMP.THERMOPLASTIC UL 94V-0	GREEN 366C
NO	DESCRIPTION	QTY	MATERIAL	PLATING & COLOR
UNLESS OTHERWISE SPECIFIED TOLERANCES				
Singatron Enterprise Co., Ltd. 信昌企業股份有限公司 TITLE: Ø3.50 AUDIO JACK PART NO. 25J3082-076132F DWG: RAINY BRUC: SCALE:4:1 APVD: LIAO SIZE: A3 SHEET: 1 OF 1 REV: A CUSTOMER COPY				