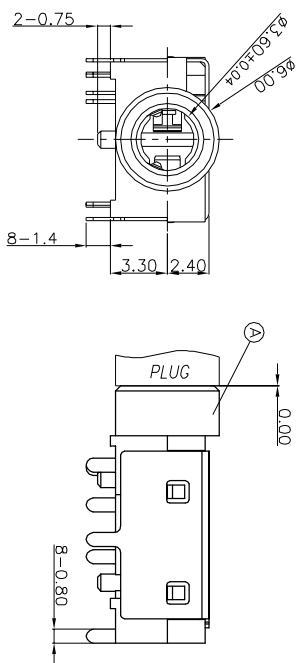
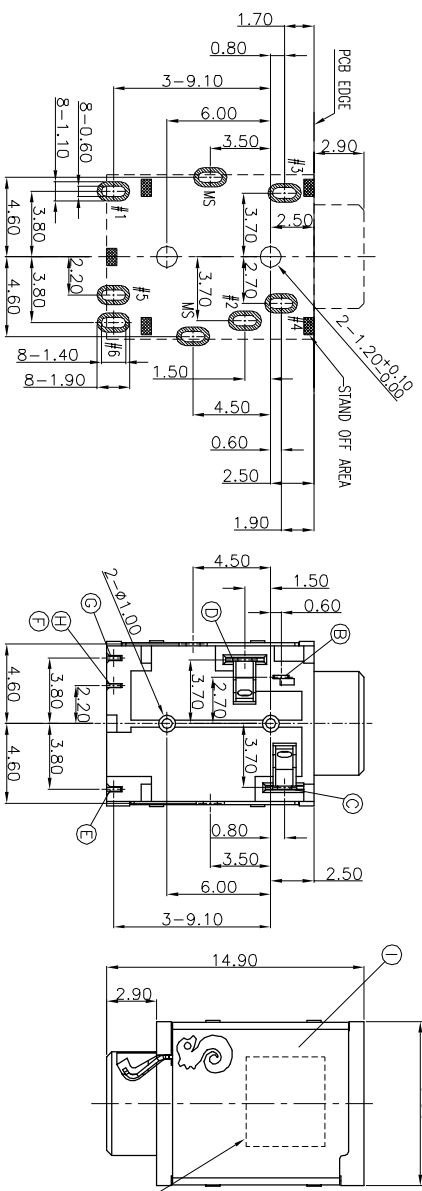


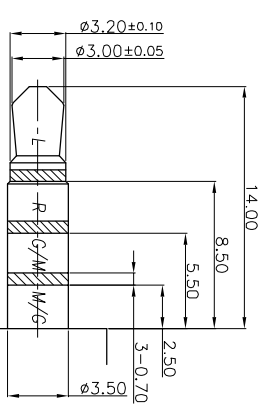
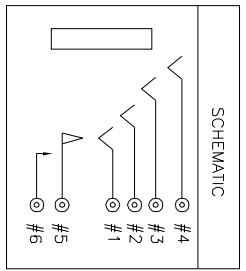
REV	ECN NO OR DESCRIPTION	REVISED	DATE
A	PDR NO: T180906-11A	LEO	2019.01.26



- SPECIFICATIONS:
- 1. ELECTRICAL CHARACTERISTICS:
 - 1-1. RATING: 12V 1A
 - 1-2. CONTACT RESISTANCE: 50mΩ MAX.(INITIAL)
 - 1-3. DIELECTRIC WITHSTANDING VOLTAGE: 500V AC FOR ONE MINUTE.
 - 1-4. INSULATION RESISTANCE: 100MΩ MIN. MEASURED BY 500 VDC.
 - 2. MECHANICAL CHARACTERISTICS:
 - 2-1. INSERTION FORCE: INITIAL 0.4-2.0kgf;
 - 2-2. WITHDRAWAL FORCE: INITIAL 0.4-2.0kgf;
 - 3. LIFE TEST: 5,000 CYCLES MIN.
 - 4. AFTER HUMIDITY TEST, INSULATION RESISTANCE: 50MΩ MIN.
 - 5. MARKING: MARK * ON TOP OF CONNECTOR.
 - 6. PACKING : TAPE & REEL.
 - 7. TO CONFORM TO SINGATRON HAZARDOUS SUBSTANCE FREE SPEC.
 - 8. HALOGEN FREE PRODUCT IDENTIFICATION MARK ON JACK:
 - 9. HALOGEN FREE PRODUCT IDENTIFICATION LABEL ON PACKAGING:
 - 10. PRINTED DATE CODE "MMDD" * ON TOP OF CONNECTOR.



RECOMMENDED PCB LAYOUT(TOP VIEW)
(TOLERANCE: ±0.05)



RECOMMENDED PLUG(±0.05)
Ø3.5 4-POLE STANDARD PLUG

DATE CODE
MARK ZONE (MMDD)

I	SHELL	1	COPPER ALLOY, 0.2t	NICKEL 60μ" MIN. PLATING.
H	SEPARATE	1	HIGH TEMP.THERMOPLASTIC UL 94V-0	BLACK
G	MAKE TERMINAL	1	COPPER ALLOY, 0.2t	GOLD FLASH ON CONTACT AREA, WHITE TIN 120μ" ON SOLDER TAIL, ALL OVER NICKEL 50μ" MIN. PLATING.
F	TRANSFER TERMINAL	1	COPPER ALLOY, 0.2t	GOLD FLASH ON CONTACT AREA, GOLD FLASH ON SOLDER TAIL, ALL OVER NICKEL 50μ" MIN. PLATING.
E	TIP SPRING	1	STAINLESS STEEL 0.2t	
D	RING-A	1	COPPER ALLOY, 0.2t	GOLD FLASH ON CONTACT AREA, WHITE TIN 120μ" ON SOLDER TAIL, ALL OVER NICKEL 50μ" MIN. PLATING.
C	RING-B	1	COPPER ALLOY, 0.2t	ALL OVER NICKEL 50μ" MIN. PLATING.
B	EARTH	1	COPPER ALLOY, 0.2t	
A	BODY	1	HIGH TEMP.THERMOPLASTIC UL 94V-0	BLACK
NO	DESCRIPTION	QTY	MATERIAL	PLATING & COLOR

UNLESS OTHERWISE SPECIFIED TOLERANCES

DECIMALS: ANGLES:

X	:±0.5	X	:±2°
X.X	:±0.3	X.X	:±1°
X.XX	:±0.2		

Singatron Enterprise Co., Ltd.
信亨企業股份有限公司

Ø3.50 AUDIO JACK

DWN LEO PART NO. 2S3082-077111F

CHKD Bruce SCALE:4:1 UNIT: mm

APVD LIAO SIZE: A3 SHEET: 1 OF 1 REV: A

CUSTOMER COPY