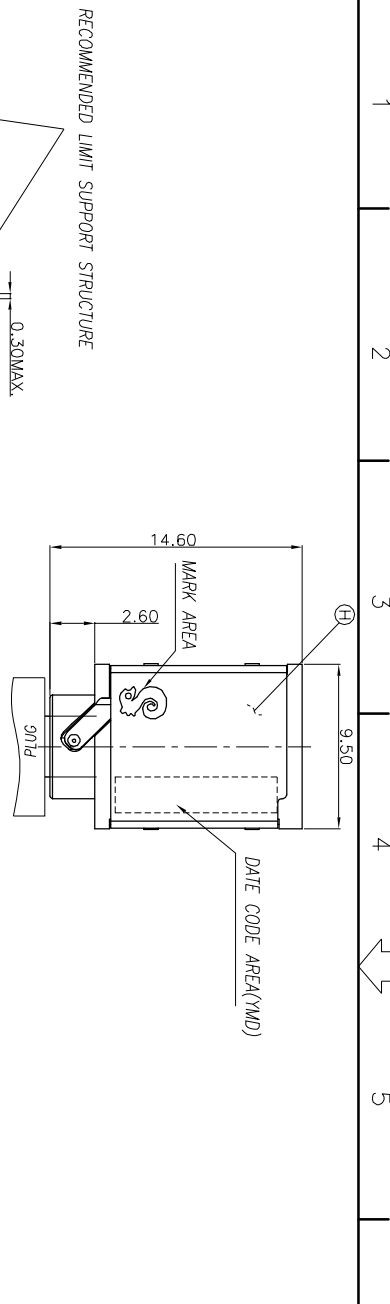
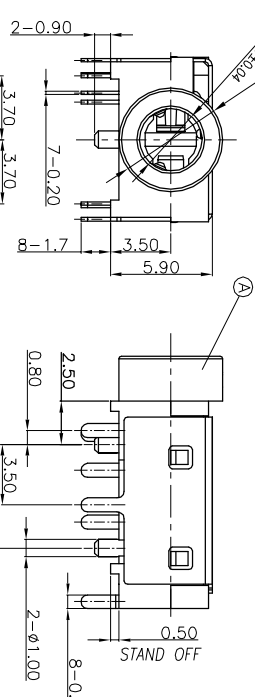


REV.	ECN NO OR DESCRIPTION	REVISED	DATE
A	PDR NO: 1220518-1A	JIELIN	2022.09.01

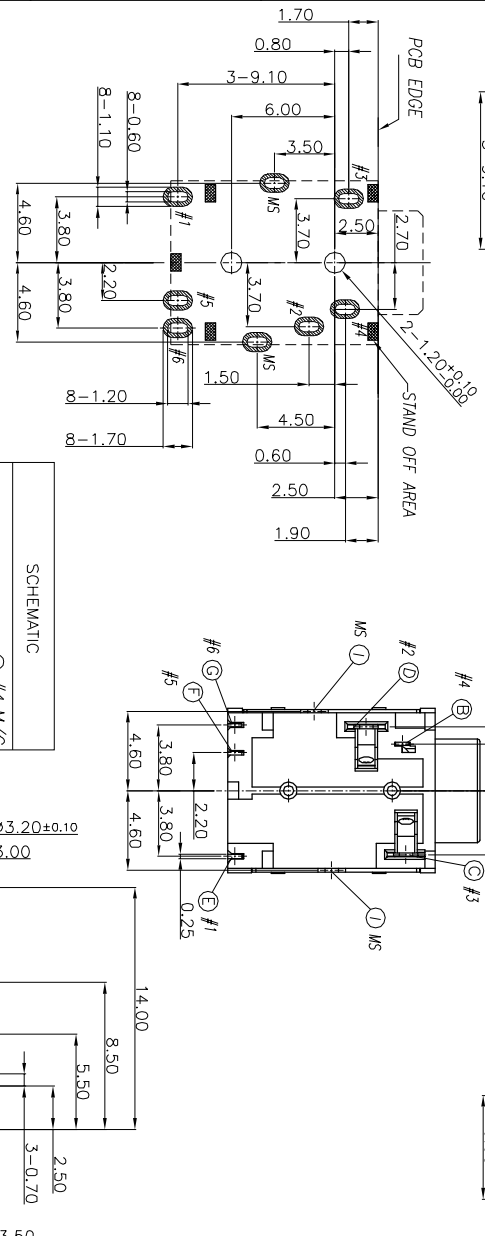


RECOMMENDED LIMIT SUPPORT STRUCTURE

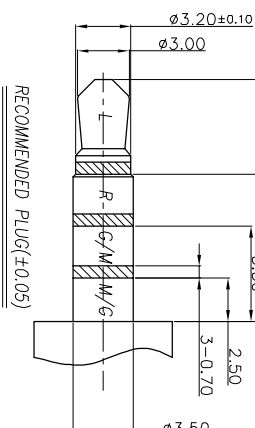
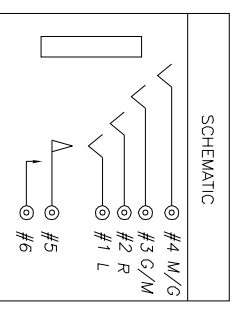
THE SURFACE OF MECHANISM ADJACENT TO PLUG SHALL BE INSULATED IF THE MECHANISM IS METAL.



- SPECIFICATIONS:
- ELECTRICAL CHARACTERISTICS:
 - 1-1 RATING: 12V 1A
 - 1-2 CONTACT RESISTANCE: 50mΩ MAX.(INITIAL)
 - 1-3 DIELECTRIC WITHSTANDING VOLTAGE: 500V AC FOR ONE MINUTE.
 - 1-4 INSULATION RESISTANCE: 100MΩ MIN. MEASURED BY 500 VDC.
 - MECHANICAL CHARACTERISTICS:
 - 2-1 INSERTION FORCE: 1.0-2.5kgf (AFTER 5 INSERTION CYCLES); 2.5kgf MAX. (AFTER LIFE TEST); 0.4kgf MIN. (AFTER LIFE TEST);
 - 2-2 WITHDRAWAL FORCE: 0.6-1.8kgf (AFTER 5 INSERTION CYCLES); 0.4kgf MIN. (AFTER LIFE TEST);
 - LIFE TEST: 3,000 CYCLES MIN.
 - AFTER LIFE TEST, CONTACT RESISTANCE: 50mΩ MAX.
 - PACKAGING : TAPE & REEL.
 - AFTER HUMIDITY TEST, INSULATION RESISTANCE: 50MΩ MIN.
 - MARKING: MARK "S" ON TOP OF JACK.
 - TO CONFORM TO SINGATRON HAZARDOUS SUBSTANCE FREE SPEC.
 - HALOGEN FREE PRODUCT IDENTIFICATION MARK ON JACK: (S)
 - HALOGEN FREE PRODUCT IDENTIFICATION LABEL ON PACKAGING: (S)
 - PRINTED DATE CODE "MMDD" ON TOP OF JACK.



RECOMMENDED PCB LAYOUT(TOP VIEW)
(TOLERANCE: ±0.05)



NO	DESCRIPTION	QTY	MATERIAL	PLATING & COLOR
I	SHELL	1	STAINLESS STEEL, 0.21	50μm NICKEL UNDER PLATING
H	SEPARATE	1	HIGH TEMP.THERMOPLASTIC UL 94V-0	BLACK
G	MAKE TERMINAL	1	COPPER ALLOY, 0.21	1-3μm GOLD PLATING ON CONTACT AREA-1-120μm PLATING ON SOLDER TAIL AREA; AND 50μm NICKEL UNDER PLATING.
F	TRANSFER TERMINAL	1	COPPER ALLOY, 0.21	1-3μm GOLD PLATING ON CONTACT AREA-1-120μm GOLD PLATING ON SOLDER TAIL AREA; AND 50μm NICKEL UNDER PLATING.
E	TIP SPRING	1	COPPER ALLOY, 0.25t	1-3μm GOLD PLATING ON CONTACT AREA-1-120μm PLATING ON SOLDER TAIL AREA; AND 50μm NICKEL UNDER PLATING.
D	RING-A	1	COPPER ALLOY, 0.21	1-3μm GOLD PLATING ON CONTACT AREA-1-120μm PLATING ON SOLDER TAIL AREA; AND 50μm NICKEL UNDER PLATING.
C	RING-B	1	COPPER ALLOY, 0.21	1-3μm GOLD PLATING ON CONTACT AREA-1-120μm PLATING ON SOLDER TAIL AREA; AND 50μm NICKEL UNDER PLATING.
B	EARTH	1	COPPER ALLOY, 0.21	1-3μm GOLD PLATING ON CONTACT AREA-1-120μm PLATING ON SOLDER TAIL AREA; AND 50μm NICKEL UNDER PLATING.
A	BODY	1	HIGH TEMP.THERMOPLASTIC UL 94V-0	BLACK
NO	DESCRIPTION	QTY	MATERIAL	PLATING & COLOR

UNLESS OTHERWISE SPECIFIED TOLERANCES

DECIMALS: ANGLES:

X :±0.5 X :±2°

X.X :±0.3 X.X :±1°

X.XX :±0.2 X.XX :±0.2

Singatron Enterprise Co., Ltd.
信善企業股份有限公司

φ3.50 AUDIO JACK

TITLE	φ3.50 AUDIO JACK
DWN	JIELIN PART NO. 25J3082-085111F
CHKD	BRUCE SCALE:4:1 UNIT: mm
APVD	LIAO SIZE: A3 SHEET: 1 OF 1 REV: A

CUSTOMER COPY