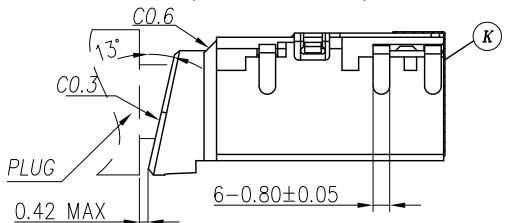
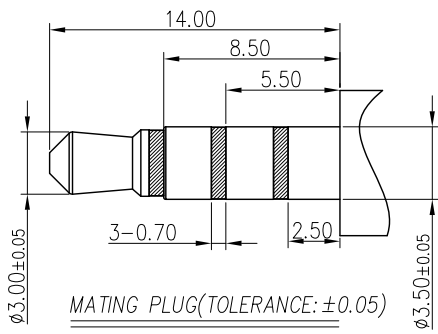
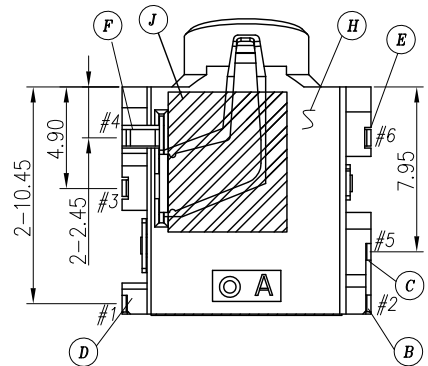
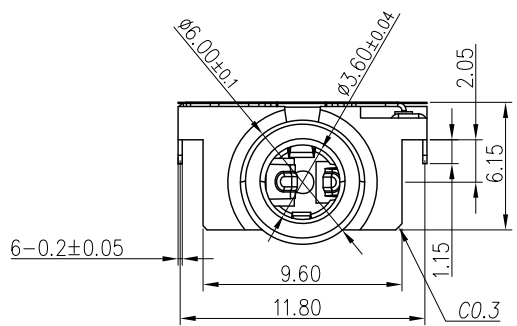


RECOMMENDED PCB LAYOUT (TOP VIEW)

(TOLERANCE: ±0.05)

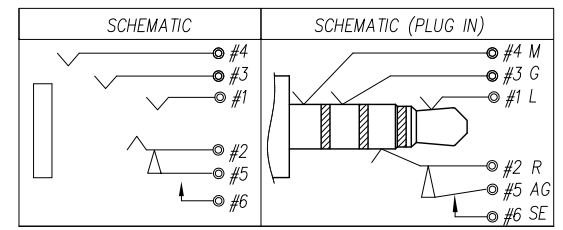


MATING PLUG (TOLERANCE: ±0.05)
3.5 4-POLE STANDARD PLUG



REV.	ECN NO OR DESCRIPTION	REVISED	DATE
A	PDR NO. T120928-4A	Aaron	2013.03.27
B	ECN NO. S130442	Cerry	2013.07.24

- SPECIFICATIONS:
- INSULATION RESISTANCE BETWEEN ANY ADJACENT OPEN CIRCUIT TERMINAL SHELL NOT BE LESS THAN 100MΩ MEASURED BY 500 VDC .
 - CONTACT RESISTANCE :50mΩ MAX.
 - INSULATION VOLTAGE WITHSTAND : 500V AC FOR ONE MINUTE.
 - LIFE TEST : 5,000 CYCLES MIN. (NON-LOAD)
 - INSERTION FORCE :0.3 - 3.0Kg.
 - WITHDRAWAL FORCE :0.3 - 3.0Kg.
 - PACKAGING : TAPE & REEL.
 - TO CONFORM TO SINGATRON HAZARDOUS SUBSTANCE FREE SPEC.
 - HALOGEN FREE PRODUCT IDENTIFICATION MARK ON PRODUCT: ☉
 - HALOGEN FREE PRODUCT IDENTIFICATION LOGO ON PACKING: ☉



K	MYLAR	1	KAPTON 0.06T	YELLOW
J	MYLAR	1	KAPTON 0.075T	YELLOW
I	MYLAR	1	KAPTON 0.075T	YELLOW
H	SEPARATOR	1	HIGH TEMP, THEMPOPLASTIC	BLACK
G	SHIELDING	1	COPPER ALLOY, 0.2T	NICKEL PLATING 50u"
F	EARTH	1	COPPER ALLOY, 0.2T	GOLD FLASH ON CONTACT, AND SOLDER TAIL AREA, ALL OVER 60u" NICKEL PLATING.
E	MAKE	1	COPPER ALLOY, 0.2T	
D	TIP	1	COPPER ALLOY, 0.2T	
C	TRANSFER	1	COPPER ALLOY, 0.2T	
B	RING SPRING	1	COPPER ALLOY, 0.2T	
A	BODY	1	HIGH TEMP, THEMPOPLASTIC UL 94V-0	BLACK
NO	DESCRIPTION	QTY	MATERIAL	PLATING & COLOR

UNLESS OTHERWISE SPECIFIED TOLERANCES

Singatron Enterprise Co., Ltd.
信音企業股份有限公司

DECIMALS:	ANGLES:	TITLE	3.5φ PHONE JACK		
.X : ±0.25	X : ±3°	DWN	Cerry	PART NO. 2SJ3086-004111F	
.XX : ±0.15	.X : ±2°	CHKD	Max	SCALE: 4:1	UNIT: mm
.XXX : ±0.05	.XX : ±1°	APVD	Max	SIZE: A3	SHEET: 1 OF 1
REV: B					
CUSTOMER COPY					