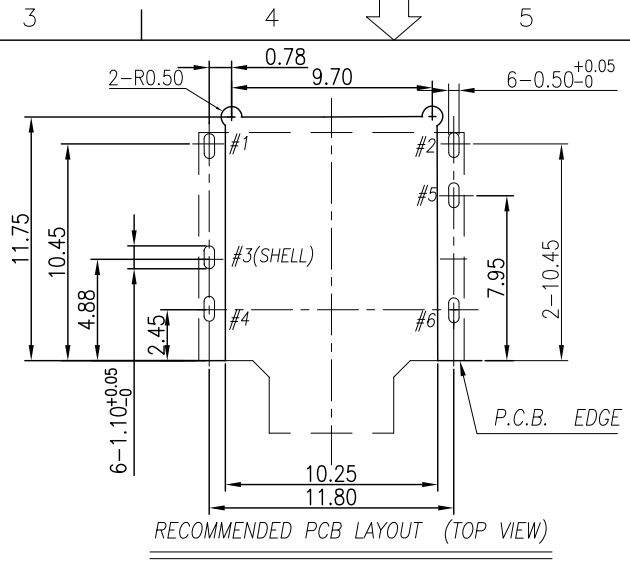
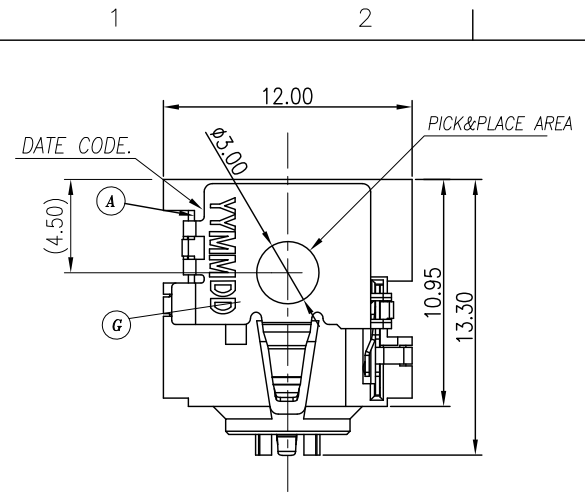
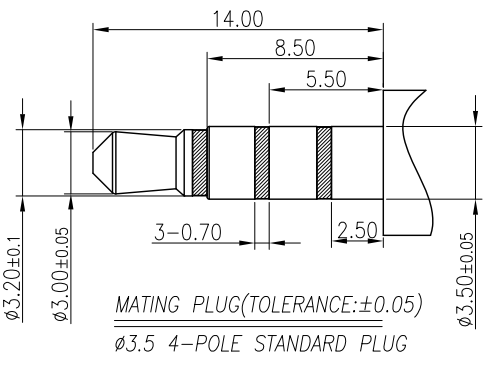
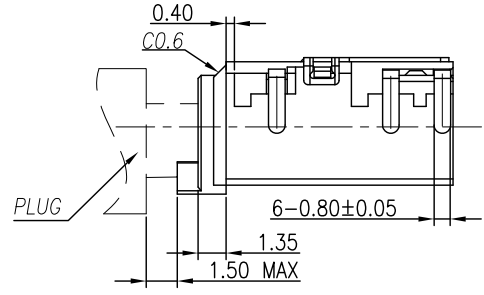
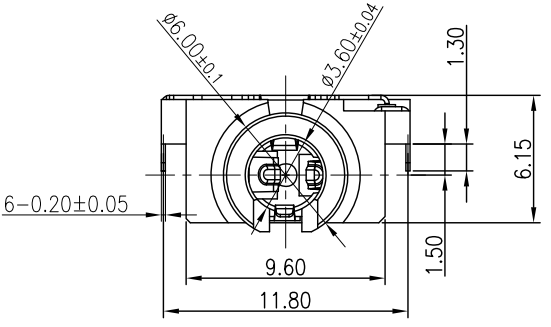


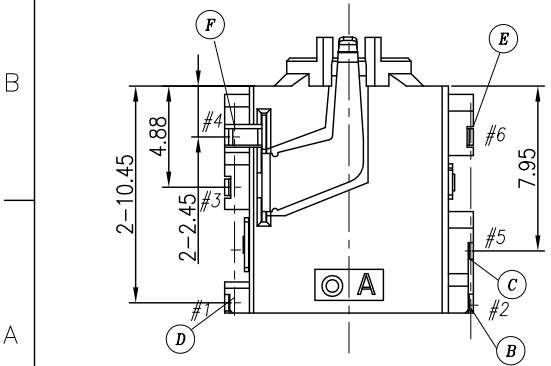
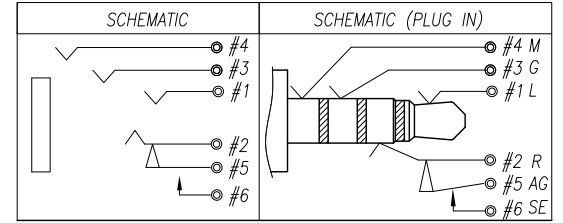
1	7	8	
REV.	ECN NO OR DESCRIPTION	REVISED	DATE
A	PDR NO: T121119-1A	Aaron	2013.03.19



RECOMMENDED PCB LAYOUT (TOP VIEW)
(TOLERANCE:±0.05)



- SPECIFICATIONS:
- INSULATION RESISTANCE BETWEEN ANY ADJACENT OPEN CIRCUIT TERMINAL SHELL NOT BE LESS THAN 100MΩ MEASURED BY 500 VDC .
 - CONTACT RESISTANCE :50mΩ MAX.
 - INSULATION VOLTAGE WITHSTAND : 500V AC FOR ONE MINUTE.
 - LIFE TEST : 5,000 CYCLES MIN. (NON-LOAD)
 - INSERTION FORCE :0.3 - 3.0Kg.
 - WITHDRAWAL FORCE :0.3 - 3.0Kg.
 - PACKAGING : TAPE & REEL.
 - TO CONFORM TO SINGATRON HAZARDOUS SUBSTANCE FREE SPEC.
 - HALOGEN FREE PRODUCT IDENTIFICATION MARK ON PRODUCT: Ⓞ
 - HALOGEN FREE PRODUCT IDENTIFICATION LOGO ON PACKING: Ⓢ



G	SHIELDING	1	COPPER ALLOY, 0.2t	NICKEL PLATING 50u"																
F	EARTH	1	COPPER ALLOY, 0.2t	GOLD FLASH ON CONTACT, AND SOLDER TAIL AREA, ALL OVER 60u" NICKEL PLATING.																
E	MAKE	1	COPPER ALLOY, 0.2t																	
D	TIP	1	COPPER ALLOY, 0.2t																	
C	TRANSFER	1	COPPER ALLOY, 0.2t	BLACK																
B	RING SPRING &SEPARATOR	1	COPPER ALLOY, 0.2t HIGH TEMP.THERMOPLASTIC																	
A	BODY	1	HIGH TEMP.THERMOPLASTIC UL 94V-0	BLACK																
NO	DESCRIPTION	QTY	MATERIAL	PLATING & COLOR																
UNLESS OTHERWISE SPECIFIED TOLERANCES			Singatron Enterprise Co., Ltd. 信音企業股份有限公司																	
DECIMALS: .X :±0.25 .XX :±0.15 .XXX :±0.05		ANGLES: X :±3° .X :±2° .XX :±1°		<table border="1"> <tr> <td>TITLE</td> <td colspan="3">3.5ø PHONE JACK</td> </tr> <tr> <td>DWN</td> <td>Aaron</td> <td colspan="2">PART NO.2SJ3086-009111F</td> </tr> <tr> <td>CHKD</td> <td>Bruce</td> <td>SCALE: 4:1</td> <td>UNIT: mm</td> </tr> <tr> <td>APVD</td> <td>Lussen</td> <td>SIZE: A3</td> <td>SHEET: 1 OF 1</td> </tr> </table>	TITLE	3.5ø PHONE JACK			DWN	Aaron	PART NO.2SJ3086-009111F		CHKD	Bruce	SCALE: 4:1	UNIT: mm	APVD	Lussen	SIZE: A3	SHEET: 1 OF 1
TITLE	3.5ø PHONE JACK																			
DWN	Aaron	PART NO.2SJ3086-009111F																		
CHKD	Bruce	SCALE: 4:1	UNIT: mm																	
APVD	Lussen	SIZE: A3	SHEET: 1 OF 1																	
CUSTOMER COPY																				