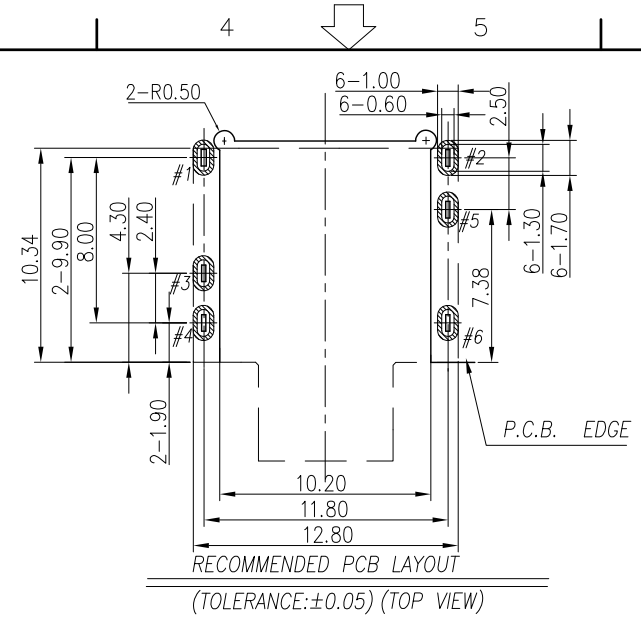
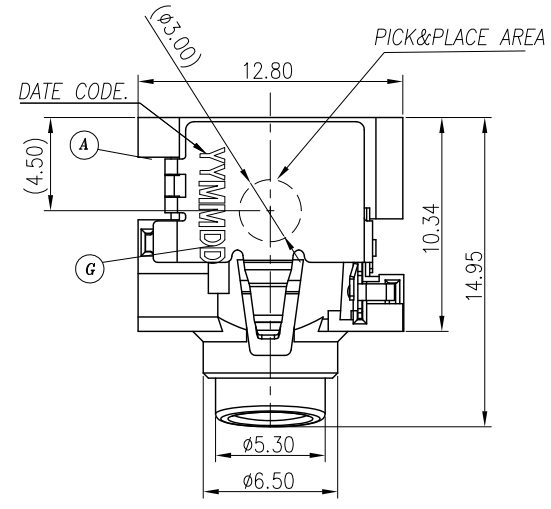
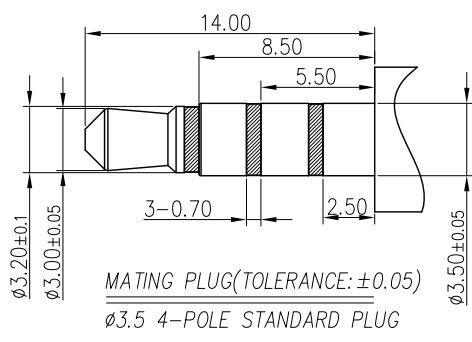
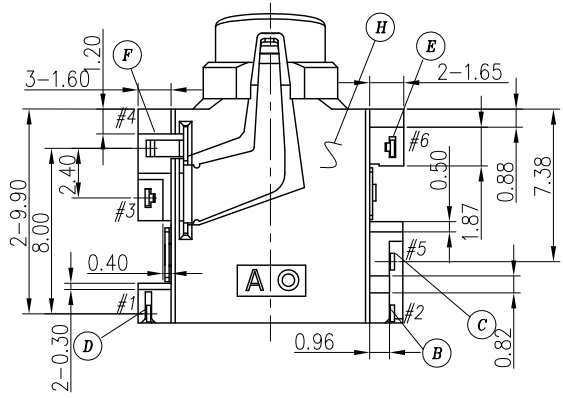
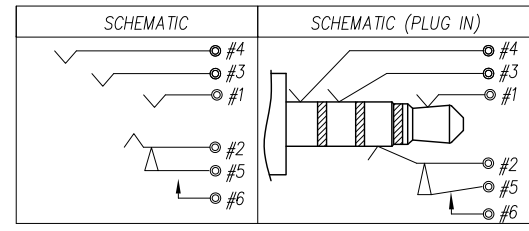
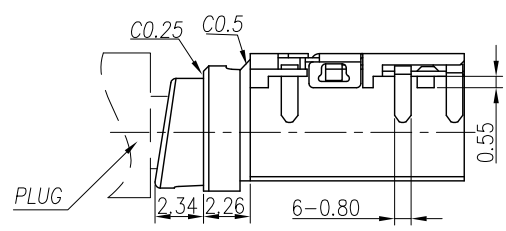
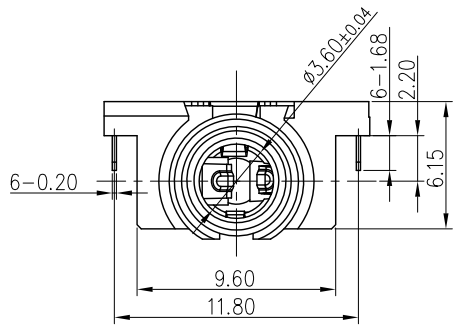


REV.	ECN NO OR DESCRIPTION	REVISED	DATE
A	PDR NO: T121126-2A	Aaron	2013.05.22



- SPECIFICATIONS:
- INSULATION RESISTANCE BETWEEN ANY ADJACENT OPEN CIRCUIT TERMINAL SHELL NOT BE LESS THAN 100MΩ MEASURED BY 500 VDC .
  - CONTACT RESISTANCE :50mΩ MAX.
  - INSULATION VOLTAGE WITHSTAND :  
500V AC FOR ONE MINUTE.
  - LIFE TEST : 5,000 CYCLES MIN. (NON-LOAD)
  - INSERTION FORCE :0.3 - 3.0Kg.
  - WITHDRAWAL FORCE :0.3 - 3.0Kg.
  - PACKAGING : TAPE & REEL.
  - TO CONFORM TO SINGATRON HAZARDOUS SUBSTANCE FREE SPEC.
  - HALOGEN FREE PRODUCT IDENTIFICATION MARK ON PRODUCT: ☉
  - HALOGEN FREE PRODUCT IDENTIFICATION LOGO ON PACKING: ☉



H	SEPARATOR	1	HIGH TEMP.THERMOPLASTIC	BLACK
G	SHIELDING	1	COPPER ALLOY, 0.2T	NICKEL 50u" Min
F	EARTH	1	COPPER ALLOY, 0.2T	GOLD FLASH ON CONTACT AREA MATTE SN 120u" ON SOLDER AREA, ALL OVER 60u" NICKEL PLATING.
E	MAKE	1	COPPER ALLOY, 0.2T	GOLD FLASH ON CONTACT AREA GOLD FLASH ON SOLDER AREA, ALL OVER 60u" NICKEL PLATING.
D	TIP	1	COPPER ALLOY, 0.2T	
C	TRANSFER	1	COPPER ALLOY, 0.2T	
B	RING SPRING	1	COPPER ALLOY, 0.2T	
A	BODY	1	HIGH TEMP.THERMOPLASTIC UL 94V-0	BLACK
NO	DESCRIPTION	QTY	MATERIAL	PLATING & COLOR
UNLESS OTHERWISE SPECIFIED TOLERANCES		Singatron Enterprise Co., Ltd. 信音企業股份有限公司		
DECIMALS: ANGLES:		TITLE		
X : ±0.5	X : ±2°	3.5φ PHONE JACK		
X.X : ±0.3	X.X : ±1°	DWN	Aaron	PART NO.2SJ3086-010111F
X.XX : ±0.2		CHKD	Bruce	SCALE: 4:1 UNIT: mm
		APVD	Lussen	SIZE: A3 SHEET: 1 OF 1 REV:A
CUSTOMER COPY				