

REV.	ECN NO OR DESCRIPTION	REVISED	DATE
A	PDR NO.: T130529-1B	HM-JIANG	2013.09.03
B	ECN NO.: S130942	ANDY	2013.12.17

- SPECIFICATIONS:
- ELECTRICAL CHARACTERISTICS:
    - 1-1. RATING: 12V, 1A
    - 1-2. CONTACT RESISTANCE: 50mΩ MAX.(INITIAL)
    - 1-3. DIELECTRIC WITHSTANDING VOLTAGE: 500V AC FOR ONE MINUTE.
    - 1-4. INSULATION RESISTANCE: 100MΩ MIN. MEASURED BY 500 VDC
  - MECHANICAL CHARACTERISTICS:
    - 2-1. INSERTION FORCE : 0.3~3.0 KGF
    - 2-2. WITHDRAWAL FORCE : 0.3~3.0 KGF
  - LIFE TEST: 5,000 CYCLES
  - AFTER LIFE TEST, CONTACT RESISTANCE: 60mΩ MAX.
  - AFTER HUMIDITY TEST, INSULATION RESISTANCE: 50MΩ MIN.
  - TO CONFORM TO SINGATRON HAZARDOUS SUBSTANCE FREE SPEC.
  - HALOGEN FREE PRODUCT IDENTIFICATION MARK ON PRODUCT: Ⓢ
  - HALOGEN FREE PRODUCT IDENTIFICATION LOGO ON PACKAGING: Ⓢ

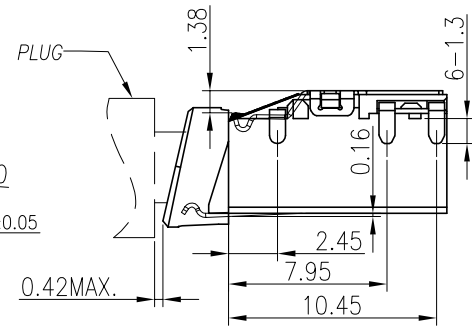
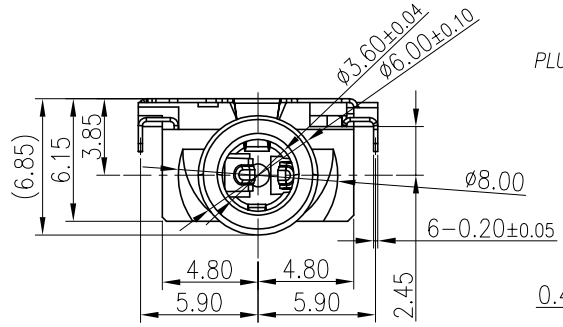
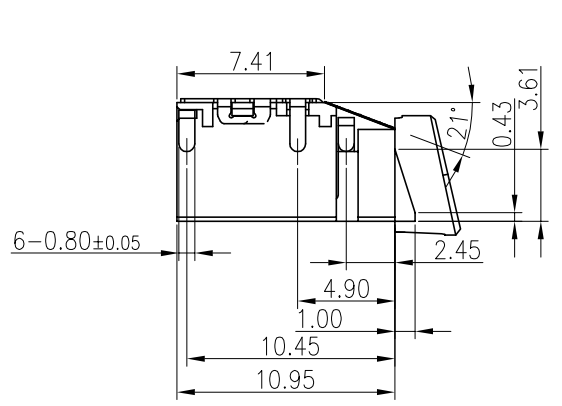
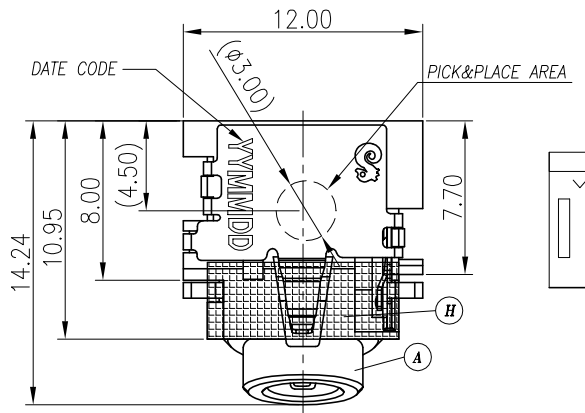
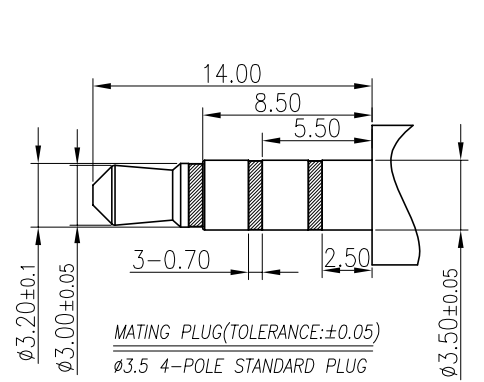
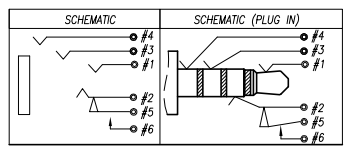
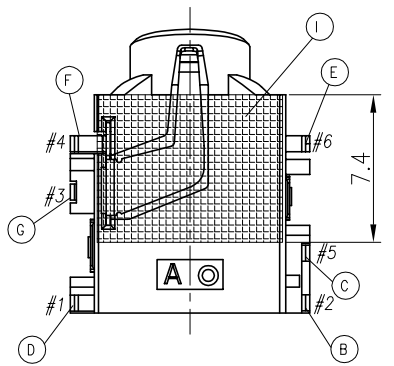
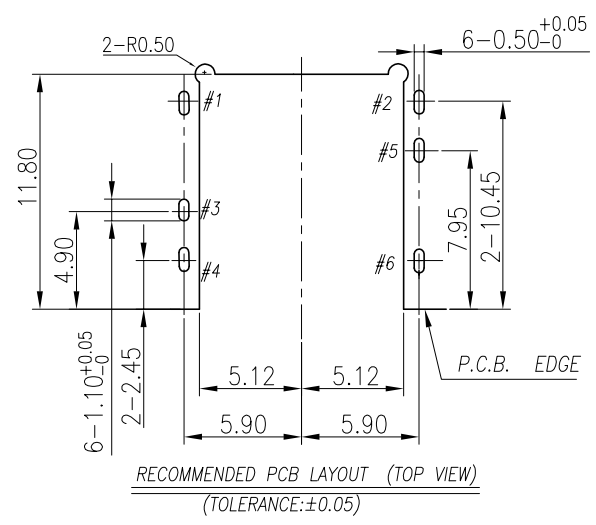


TABLE A:

PART NO.	DESCRIPTION	PLATING
2SJ3086-011111F	EARTH	
	TIP	GOLD FLASH ON CONTACT AREA GOLD FLASH ON SOLDER AREA, ALL OVER NI 50u" PLATING.
	RING	
2SJ3086-012111F	EARTH	
	TIP	Au 30u" ON CONTACT AREA GOLD FLASH ON SOLDER AREA, ALL OVER NI 50u" PLATING.
	RING	



I	MYLAR	1	T=0.075,L9.25*W7.40	YELLOW
H	MYLAR	1	T=0.075,L9.60*W3.85	YELLOW
G	SHIELDING	1	COPPER ALLOY, 0.2t	ALL OVER NI 50u" PLATING.
F	EARTH	1	COPPER ALLOY, 0.2t	SEE TABLE A
E	MAKE	1	COPPER ALLOY, 0.2t	GOLD FLASH ON CONTACT AND SOLDER AREA, ALL OVER NI 50u" PLATING.
D	TIP	1	COPPER ALLOY, 0.2t	SEE TABLE A
C	TRANSFER	1	COPPER ALLOY, 0.2t	GOLD FLASH ON CONTACT AND SOLDER AREA, ALL OVER NI 50u" PLATING.
B	RING SPRING &SEPARATOR	1	COPPER ALLOY,0.2t HIGH TEMP.THERMOPLASTIC UL 94V-0	SEE TABLE A BLACK
A	BODY	1	HIGH TEMP.THERMOPLASTIC UL 94V-0	BLACK
NO	DESCRIPTION	QTY	MATERIAL	PLATING & COLOR

UNLESS OTHERWISE SPECIFIED TOLERANCES

Singatron Enterprise Co., Ltd.  
信音企業股份有限公司

DECIMALS: ANGLES:

TITLE	3.5Ø PHONE JACK			
DWN	ANDY	PART NO.2SJ3086-01X111F		
CHKD	CERRY	SCALE: 4:1	UNIT: mm	REV: B
APVD	MAX	SIZE: A3	SHEET: 1 OF 1	

CUSTOMER COPY