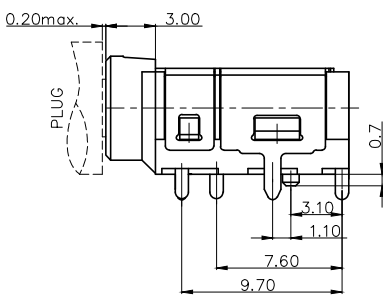
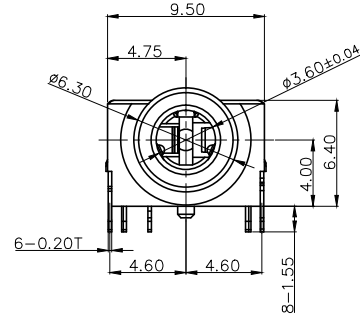
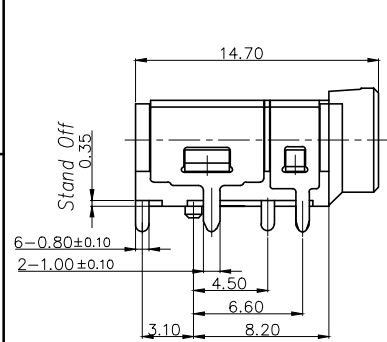
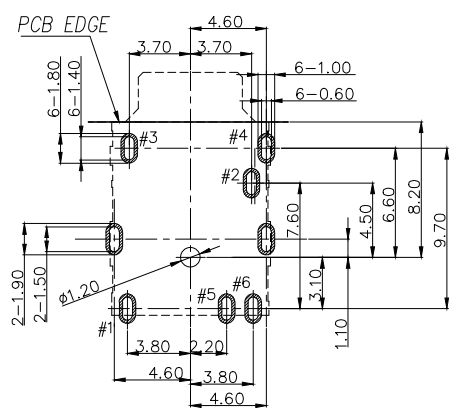


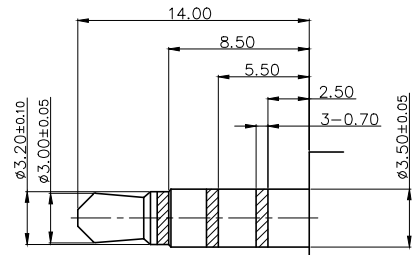
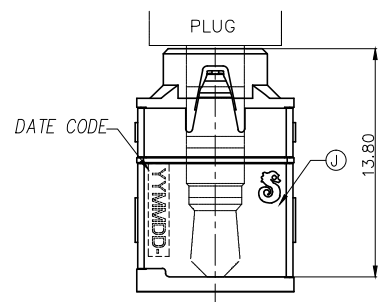
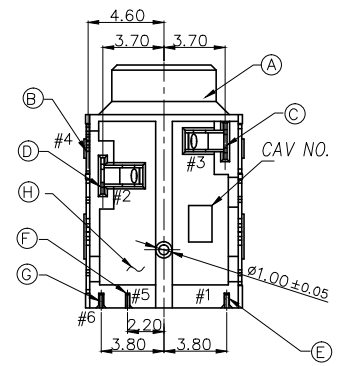
REV.	ECN NO OR DESCRIPTION	REVISED	DATE
A	PDR NO: T150512-1A	PENG	2015.10.29
B	ECN NO: S161108-P	YUREN	2017.07.26



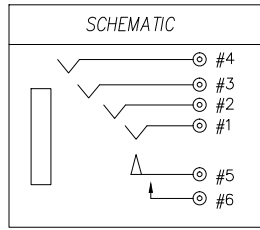
- SPECIFICATIONS:**
- INSULATION RESISTANCE BETWEEN ANY ADJACENT OPEN CIRCUIT TERMINAL SHELL NOT BE LESS THAN 100MΩ MEASURED BY 500 VDC .
 - CONTACT RESISTANCE: 50mΩ MAX.
 - INSULATION VOLTAGE WITHSTAND: 500V AC FOR ONE MINUTE.
 - UNLESS OTHERWISE SPECIFIED. TEST IS TO BE MADE AT 5-35°C IN TEMPERATURE AND 45-85% IN HUMIDITY. BUT, IF ANY VAGUE DATA IS OCCURED ON TEST RESULT, ANOTHER TEST SHALL BE MADE AT 20°C±2°C IN TEMP., 60-70% IN HUMIDITY.
 - LIFE TEST: 5,000 CYCLES.
 - INSERTION FORCE: 0.3 - 3.0Kg.
 - WITHDRAWAL FORCE: 0.3 - 3.0Kg.
 - AFTER LIFE TEST, CONTACT RESISTANCE: 120mΩ MAX.
 - AFTER HUMIDITY TEST, INSULATION RESISTANCE: 50MΩ MIN.
 - MARKING: MARK "S" ON TOP OF CONNECTOR.
 - PACKING : TAPE & REEL.
 - TO CONFORM TO SINGATRON HAZARDOUS SUBSTANCE FREE SPEC.
 - HALOGEN FREE PRODUCT IDENTIFICATION MARK ON JACK:
 - HALOGEN FREE PRODUCT IDENTIFICATION LABEL ON PACKAGING:



RECOMMENDED PCB LAYOUT(TOP VIEW)
(TOLERANCE: ±0.05)



RECOMMENDED PLUG(±0.05)
ø3.5 4-POLE STANDARD PLUG



J	SHELL	1	C5210, 0.2T	Ni 60u" MIN. PLATING.
H	SEPARATE	1	LCP E130I UL 94V-0	BLACK
F	TRANSFER TERMINAL	1	C5210, 0.2T	GOLD FLASH OVER; Ni 50 u" Min.
G	MAKE TERMINAL	1	C5210, 0.2T	
E	TIP SPRING	1	C5210, 0.25T	GOLD FLASH ON CONTACT AREA, MATTE Sn 80u" ON SOLDER TAIL, ALL OVER Ni 50u" MIN. PLATING.
D	RING-A	1	C5210, 0.2T	
C	RING-B	1	C5210, 0.2T	
B	EARTH	1	C5210, 0.2T	
A	BODY	1	PPS+45%GF A305M45B UL94V-0	BLACK
NO	DESCRIPTION	QTY	MATERIAL	PLATING & COLOR

UNLESS OTHERWISE SPECIFIED TOLERANCES

Singatron Enterprise Co., Ltd.
信音企業股份有限公司

DECIMALS:	ANGLES:	TITLE	ø3.50 AUDIO JACK		
X : ±0.5	X : ±2°	DWN	YUREN	PART NO. 2SJ3088-01111F	
X.X : ±0.3	X.X : ±1°	CHKD	CERRY	SCALE: 4:1	UNIT: mm
X.XX : ±0.2		APVD	LIAO	SIZE: A3	SHEET: 1 OF 1
REV: B					
CUSTOMER COPY					