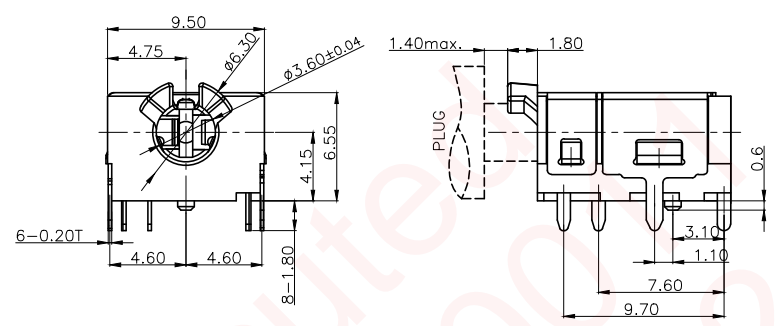
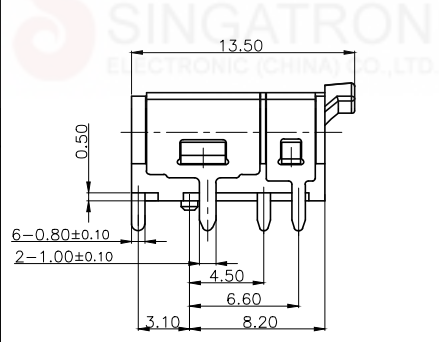
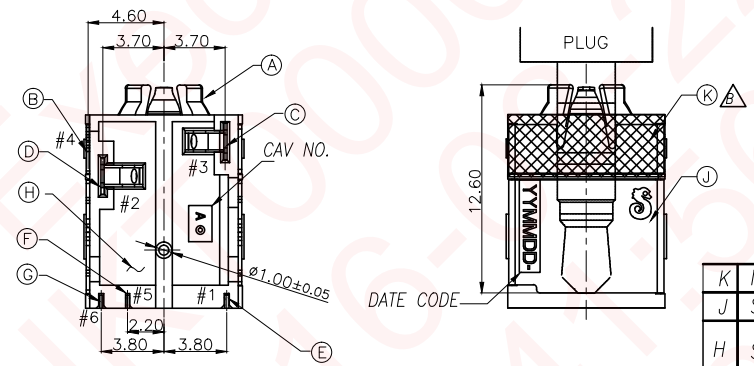
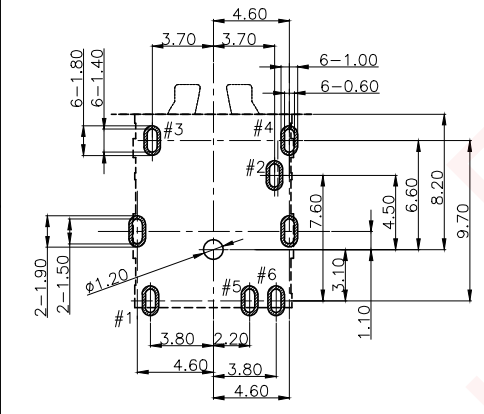


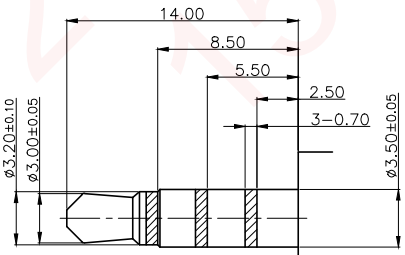
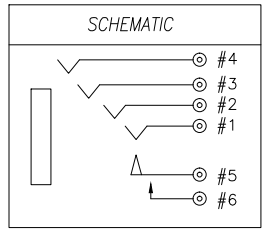
REV.	ECN NO OR DESCRIPTION	REVISED	DATE
A	PDR NO: T150701-2A	PENG	2015.11.20
B	ECN NO: S160102-C	JIE-FU	2016.03.07



- SPECIFICATIONS:
- INSULATION RESISTANCE BETWEEN ANY ADJACENT OPEN CIRCUIT TERMINAL SHELL NOT BE LESS THAN 100MΩ MEASURED BY 500 VDC .
 - CONTACT RESISTANCE: 50mΩ MAX.
 - INSULATION VOLTAGE WITHSTAND:500V AC FOR ONE MINUTE.
 - UNLESS OTHERWISE SPECIFIED. TEST IS TO BE MADE AT 5-35°C IN TEMPERATURE AND 45-85% IN HUMIDITY. BUT,IF ANY VAGUE DATA IS OCCURED ON TEST RESULT, ANOTHER TEST SHALL BE MADE AT 20°C±2°C IN TEMP., 60-70% IN HUMIDITY.
 - LIFE TEST: 5,000 CYCLES.
 - INSERTION FORCE: 0.3 - 3.0Kg.
 - WITHDRAWAL FORCE: 0.3 - 3.0Kg.
 - AFTER LIFE TEST, CONTACT RESISTANCE: 120mΩ MAX.
 - AFTER HUMIDITY TEST, INSULATION RESISTANCE: 50MΩ MIN.
 - MARKING: MARK "S" ON TOP OF CONNECTOR.
 - PACKING : TAPE & REEL.
 - TO CONFORM TO SINGATRON HAZARDOUS SUBSTANCE FREE SPEC.
 - HALOGEN FREE PRODUCT IDENTIFICATION MARK ON JACK:
 - HALOGEN FREE PRODUCT IDENTIFICATION LABEL ON PACKAGING:



RECOMMENDED PCB LAYOUT(TOP VIEW)
(TOLERANCE: ±0.05)



RECOMMENDED PLUG(±0.05)
ø3.5 4-POLE STANDARD PLUG

K	MYLAR	1	0.06T	YELLOW
J	SHELL	1	COPPER ALLOY, 0.2T	Ni 60u" MIN. PLATING.
H	SEPARATE	1	HIGH TEMP.THERMOPLASTIC UL 94V-0	BLACK
F	TRANSFER TERMINAL	1	COPPER ALLOY, 0.2T	GOLD FLASH OVER;Ni 50 u" Min
G	MAKE TERMINAL	1	COPPER ALLOY, 0.2T	GOLD FLASH ON CONTACT AREA, MATTE Sn 80u" ON SOLDER TAIL, ALL OVER Ni 50u" MIN. PLATING.
E	TIP SPRING	1	COPPER ALLOY, 0.25T	
D	RING-A	1	COPPER ALLOY, 0.2T	Au 30u" ON CONTACT AREA,
C	RING-B	1	COPPER ALLOY, 0.2T	MATTE Sn 80u" ON SOLDER TAIL,
B	EARTH	1	COPPER ALLOY, 0.2T	ALL OVER Ni 50u" MIN. PLATING.
A	BODY	1	HIGH TEMP.THERMOPLASTIC UL 94V-0	BLACK
NO	DESCRIPTION	QTY	MATERIAL	PLATING & COLOR

UNLESS OTHERWISE SPECIFIED TOLERANCES		Singatron Enterprise Co., Ltd. 信音企業股份有限公司	
DECIMALS:	ANGLES:	TITLE: ø3.50 AUDIO JACK	
X :±0.5	X :±2°	DWN	JIE-FU PART NO. 2SJ3088-012111F
X.X :±0.3	X.X :±1°	CHKD	CERRY SCALE:4:1 UNIT: mm
X.XX :±0.2		APVD	LUSSEN SIZE: A3 SHEET:1 OF 1 REV:B
CUSTOMER COPY			