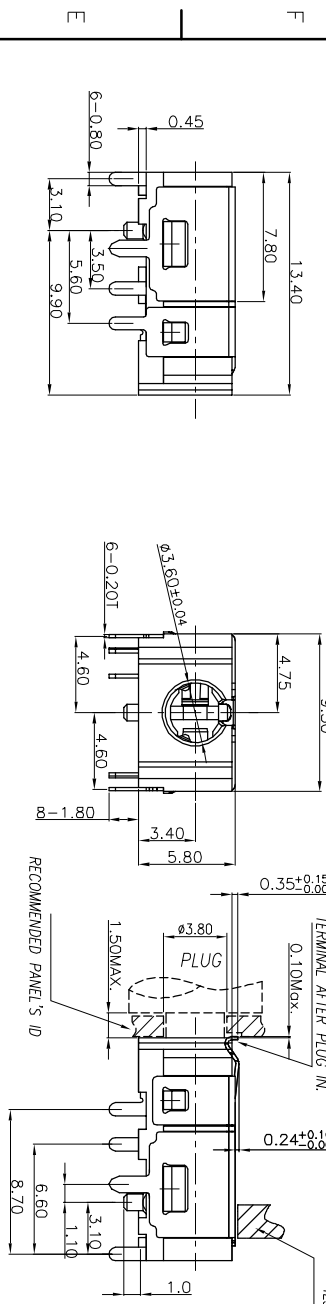


REV.	ECN NO.	OR DESCRIPTION	REVISED	DATE
A	PDR NO: C160331-1A		Bruce	2016.12.01



RECOMMENDED PCB LAYOUT(TOP VIEW)
(TOLERANCE: ±0.05)

RECOMMENDED PLUG(±0.05)
RECOMMENDED 4-POLE STANDARD PLUG

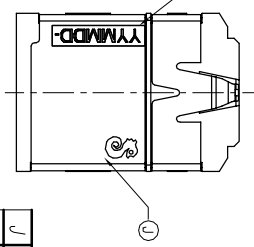
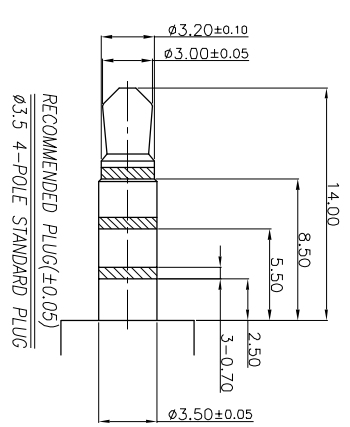
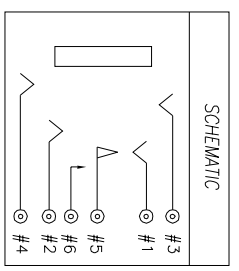
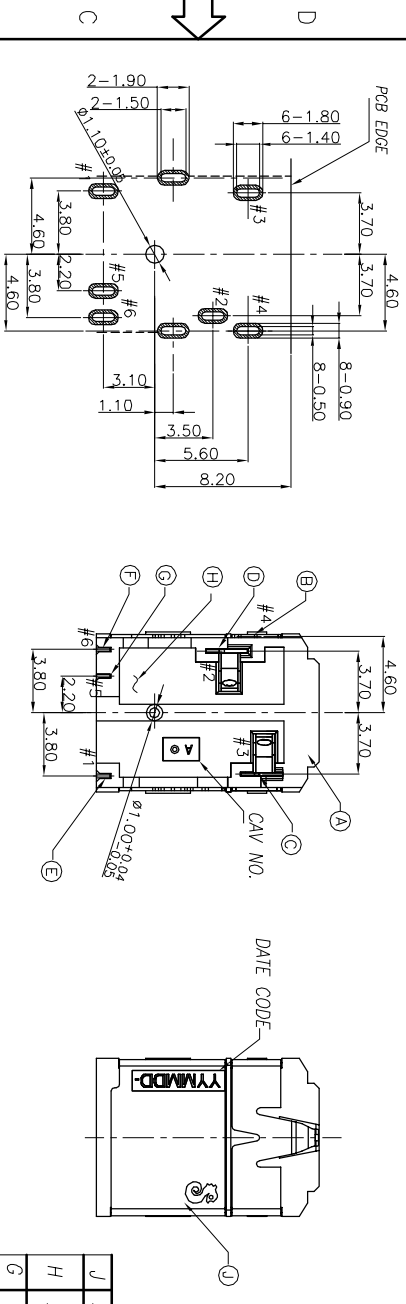
RECOMMENDED PANEL'S ID

RECOMMENDED LOADING TEST PANEL'S ID

SPECIFICATIONS:

1. ELECTRICAL CHARACTERISTICS:
 1-1. RATING: 12V 1A
 1-2. CONTACT RESISTANCE: 50mΩ MAX.(INITIAL)
 1-3. DIELECTRIC WITHSTANDING VOLTAGE: 500V AC FOR ONE MINUTE.
 1-4. INSULATION RESISTANCE: 100MΩ MIN. MEASURED BY 500 VDC.

2. MECHANICAL CHARACTERISTICS:
 2-1. INSERTION FORCE: INITIAL 0.3-3.0Kgf;
 2-2. WITHDRAWAL FORCE: INITIAL 0.3-3.0Kgf;
 3. LIFE TEST: 5,000 CYCLES MIN.
 4. PACKAGING : TAPE & REEL.
 5. AFTER HUMIDITY TEST, INSULATION RESISTANCE: 50MΩ MIN.
 6. TO CONFORM TO SINGATRON HAZARDOUS SUBSTANCE FREE SPEC.
 7. HALOGEN FREE PRODUCT IDENTIFICATION MARK ON PRODUCT:
 8. HALOGEN FREE PRODUCT IDENTIFICATION LOGO ON PACKAGING:
 9. FOR IR REFLOW PROFILE, PEAK TEMPERATURE:260°C Max. 10 SECS;



J	SHELL	1	COPPER ALLOY, 0.2t	Ni 60μ" MIN. PLATING.
H	SEPARATE	1	HIGH TEMP.THERMOPLASTIC UL 94V-0	BLACK
G	TRANSFER TERMINAL	1	COPPER ALLOY, 0.2t	GOLD FLASH ON CONTACT AREA, Ni 50μ" MIN.
F	MAKE TERMINAL	1	COPPER ALLOY, 0.2t	GOLD FLASH ON CONTACT AREA, MATTE Sn 80μ" ON SOLDER TAIL, ALL OVER Ni 50μ" MIN. PLATING
E	TIP SPRING	1	COPPER ALLOY, 0.25t	
D	RING-A	1	COPPER ALLOY, 0.2t	GOLD FLASH ON CONTACT AREA, MATTE Sn 80μ" ON SOLDER TAIL, ALL OVER Ni 50μ" MIN. PLATING
C	RING-B	1	COPPER ALLOY, 0.2t	
B	EARTH	1	COPPER ALLOY, 0.2t	
A	BODY	1	PA 41+30%GF(TX1) UL 94V-0	BLACK
NO	DESCRIPTION	QTY	MATERIAL	PLATING & COLOR

UNLESS OTHERWISE SPECIFIED TOLERANCES

DECIMALS: ANGLES:

X : ±0.5 X : ±1.2
 XX : ±0.3 X.X : ±1'
 X.XX : ±0.2

TITLE: **Ø3.50 AUDIO JACK**

DWN: Bruce PART NO. 25J3088-015111F
 CHKD: Sky SCALE:4:1 UNIT: mm
 APVD: Lussen SIZE: A3 SHEET: 1 OF 1 REV: A

Singatron Enterprise Co., Ltd.
 信音企業股份有限公司

CUSTOMER COPY