

REV.	ECN NO OR DESCRIPTION	REVISED	DATE
A	PDR NO: T160328-1A	Bruce	2016/12/01
B	ECN NO: S202109-R04B	Qing	2021.11.22

SPECIFICATIONS:

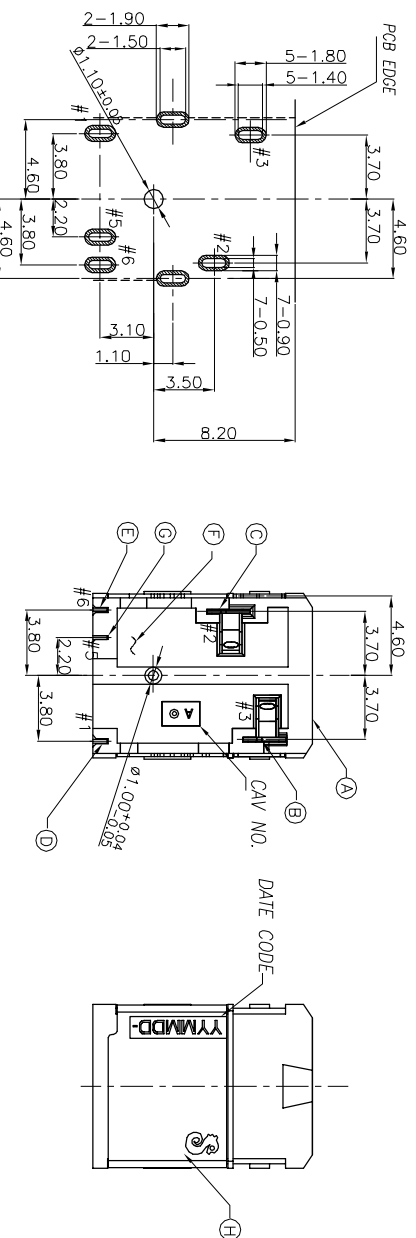
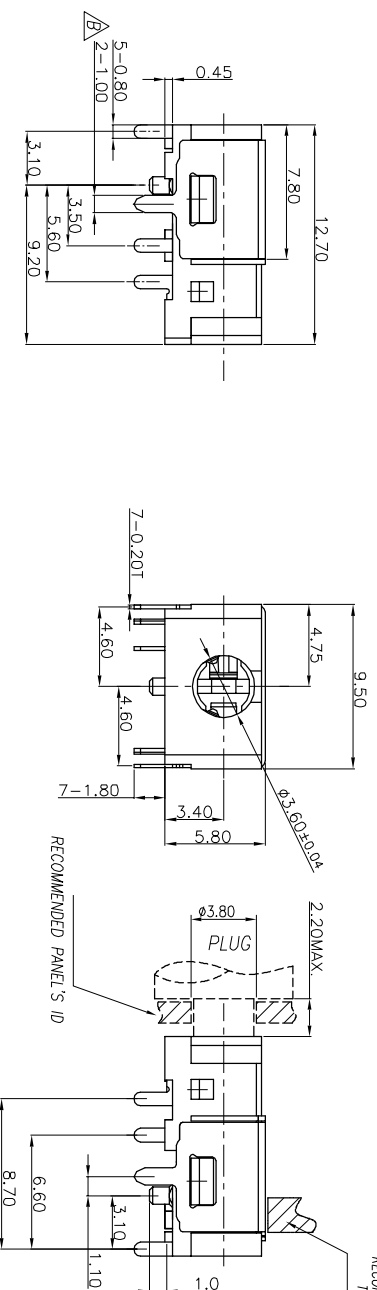
1. ELECTRICAL CHARACTERISTICS:

- 1-1. RATING: 12V 1A
- 1-2. CONTACT RESISTANCE: 50mΩ MAX. (INITIAL)
- 1-3. DIELECTRIC WITHSTANDING VOLTAGE: 500V AC FOR ONE MINUTE.
- 1-4. INSULATION RESISTANCE: 100MΩ MIN. MEASURED BY 500 VDC.

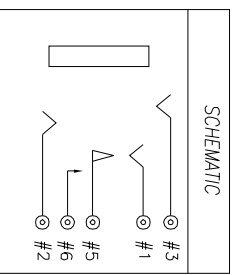
2. MECHANICAL CHARACTERISTICS:

- 2-1. INSERTION FORCE: INITIAL 0.3-3.0kgf;
- 2-2. WITHDRAWAL FORCE: INITIAL 0.3-3.0kgf;
3. LIFE TEST: 5,000 CYCLES MIN.
4. PACKAGING : TAPE & REEL.
5. AFTER HUMIDITY TEST, INSULATION RESISTANCE: 100mΩ MAX.

6. TO CONFORM TO SINGATRON HAZARDOUS SUBSTANCE FREE SPEC.
7. HALOGEN FREE PRODUCT IDENTIFICATION MARK ON PRODUCT:
8. HALOGEN FREE PRODUCT IDENTIFICATION LOGO ON PACKAGING:
9. FOR IR REFLOW PROFILE, PEAK TEMPERATURE: 260°C Max. 10 SECS.



RECOMMENDED PCB LAYOUT(TOP VIEW)
(TOLERANCE: ±0.05)



B

C

D

E

F

A

1

2

3

4

5

6

7

8

NO	DESCRIPTION	QTY	MATERIAL	PLATING & COLOR
UNLESS OTHERWISE SPECIFIED TOLERANCES				
A	BODY	1	PA4T+30% GF (TX1) UL 94V-0	BLACK
B	RING-A	1	COPPER ALLOY, 0.2t	Au 30μ" ON CONTACT AREA, NiATE Sn 80μ" ON SOLDER TAIL, ALL OVER Ni 50μ" MIN. PLATING
C	RING-B	1	COPPER ALLOY, 0.2t	Au 30μ" ON CONTACT AREA, NiATE Sn 80μ" ON SOLDER TAIL, ALL OVER Ni 50μ" MIN. PLATING
D	TIP SPRING	1	COPPER ALLOY, 0.25t	Au 30μ" ON CONTACT AREA, NiATE Sn 80μ" ON SOLDER TAIL, ALL OVER Ni 50μ" MIN. PLATING
E	MAKE TERMINAL	1	COPPER ALLOY, 0.2t	Au 30μ" ON CONTACT AREA, NiATE Sn 80μ" ON SOLDER TAIL, ALL OVER Ni 50μ" MIN. PLATING
F	TRANSFER TERMINAL	1	COPPER ALLOY, 0.2t	Au 30μ" ON CONTACT AREA, NiATE Sn 80μ" ON SOLDER TAIL, ALL OVER Ni 50μ" MIN. PLATING
G	MAKE TERMINAL	1	COPPER ALLOY, 0.2t	Au 30μ" ON CONTACT AREA, NiATE Sn 80μ" ON SOLDER TAIL, ALL OVER Ni 50μ" MIN. PLATING
H	SEPARATE	1	HIGH TEMP.THERMOPLASTIC UL 94V-0	BLACK

DECIMALS: ANGLES:

RECOMMENDED PLUG(±0.05)
Ø3.5 3-POLE STANDARD PLUG

Singatron Enterprise Co., Ltd.
 信音企業股份有限公司

TITLE: **Ø3.50 AUDIO JACK**

DWN: Qing PART NO: **2SJ308B-016111F**

CHKD: Bruce SCALE: 4:1 UNIT: mm

APVD: Liao SIZE: A3 SHEET: 1 OF 1 REV: B

CUSTOMER COPY