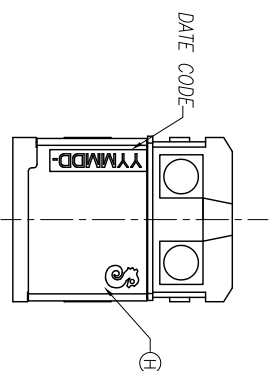
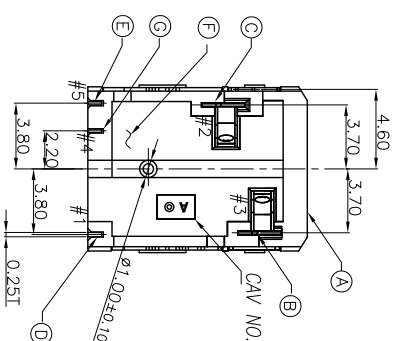


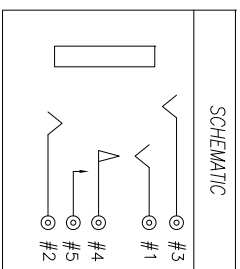
RECOMMENDED PCB LAYOUT(TOP VIEW)
(TOLERANCE: ±0.05)



RECOMMENDED LOADING TEST PANEL'S ID

SPECIFICATIONS:

1. ELECTRICAL CHARACTERISTICS:
 - 1-1. RATING: 12V 1A
 - 1-2. CONTACT RESISTANCE: 50mΩ MAX.(INITIAL)
 - 1-3. DIELECTRIC WITHSTANDING VOLTAGE: 500V AC FOR ONE MINUTE.
 - 1-4. INSULATION RESISTANCE: 100MΩ MIN. MEASURED BY 500 VDC.
2. MECHANICAL CHARACTERISTICS:
 - 2-1. INSERTION FORCE: INITIAL 0.3-3.0kgf;
 - 2-2. WITHDRAWAL FORCE: INITIAL 0.3-3.0kgf;
3. LIFE TEST: 5,000 CYCLES MIN.
4. PACKAGING : TAPE & REEL.
5. AFTER HUMIDITY TEST, INSULATION RESISTANCE: 100mΩ MAX.
6. TO CONFORM TO SINGATRON HAZARDOUS SUBSTANCE FREE SPEC.
7. HALOGEN FREE PRODUCT IDENTIFICATION MARK ON PRODUCT:
8. HALOGEN FREE PRODUCT IDENTIFICATION LOGO ON PACKAGING:
9. FOR IR REFLOW PROFILE, PEAK TEMPERATURE:260°C Max.10 SECS.



REV.	ECN NO.	OR DESCRIPTION	REVISED	DATE
A	PDR NO: T160122-1A		Bruce	2016.08.15

H	SHELL	1	C2680-H 0.2T	Ni: 60μ" MIN. PLATING.
F	SEPARATE	1	LCP E130±30%GF, UL 94V-0	BLACK
G	TRANSFER TERMINAL	1	C5210-EH, 0.2T	GOOD FLASH : Ni: 50 μ" Min. SOLD FLASH ON CONTACT AREA, WASTE Sn 80μ" ON SOLDER TAIL, ALL OVER Ni: 50μ" MIN. PLATING.
E	MAKE TERMINAL	1	C5210-EH, 0.2T	
D	TIP SPRING	1	COPPER ALLOY, 0.25T	As 300" ON CONTACT AREA, WASTE Sn 80μ" ON SOLDER TAIL, ALL OVER Ni: 50μ" MIN. PLATING.
C	RING-A	1	C5210-EH, 0.2T	
B	RING-B	1	COPPER ALLOY, 0.2T	
A	BODY	1	PA4T+30% GF (TX1) UL 94V-0	BLACK
NO	DESCRIPTION	QTY	MATERIAL	PLATING & COLOR
UNLESS OTHERWISE SPECIFIED TOLERANCES				
Singatron Enterprise Co., Ltd. 信營企業股份有限公司				
TITLE: φ3.50 AUDIO JACK				
DWN	Bruce	PART NO. 2SJS3088-018111F		
CHKD	Sky	SCALE:4:1	UNIT: mm	
APVD	Lussen	SIZE: A3	SHEET: 1 OF 1	REV: A

DECIMALS: :±0.5 X :±2
X.X :±0.3 X.X :±1°
X.XX :±0.2

CUSTOMER COPY