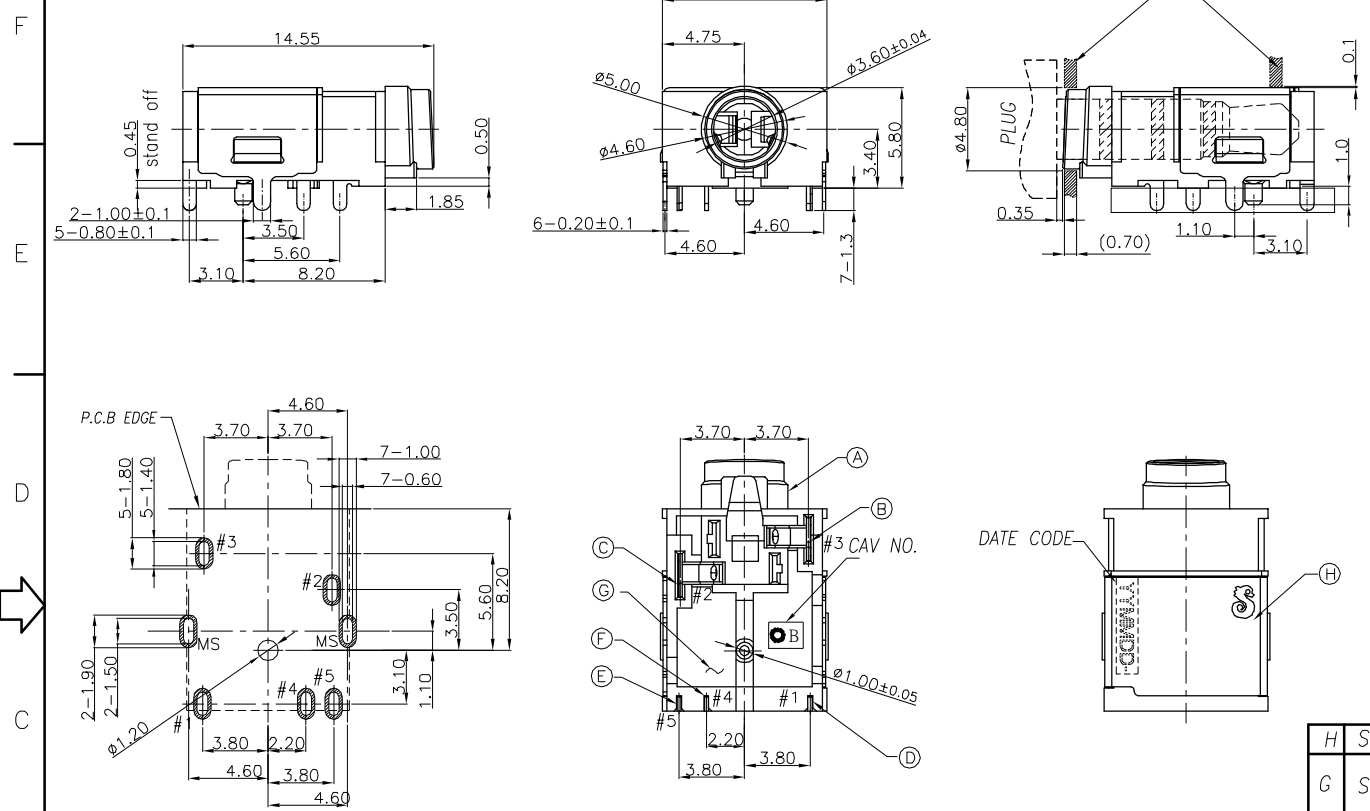


REV.	ECN NO OR DESCRIPTION	REVISED	DATE
A	PDR NO:T161201-8A/8B	PENG	2017.08.01

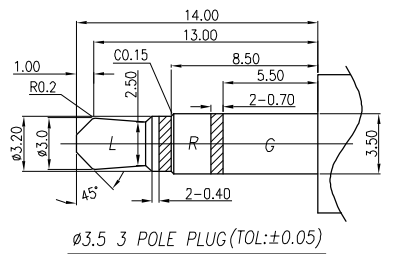
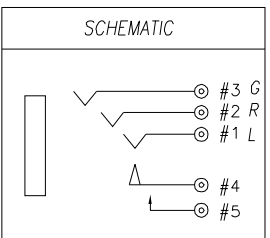


- SPECIFICATIONS:**
- INSULATION RESISTANCE BETWEEN ANY ADJACENT OPEN CIRCUIT TERMINAL SHELL NOT BE LESS THAN 100MΩ MEASURED BY 500 VDC .
 - CONTACT RESISTANCE: 50mΩ MAX.
 - INSULATION VOLTAGE WITHSTAND:500V AC FOR ONE MINUTE. UNLESS OTHERWISE SPECIFIED. TEST IS TO BE MADE AT 5-35°C IN TEMPERATURE AND 45-85% IN HUMIDITY. BUT,IF ANY VAGUE DATA IS OCCURED ON TEST RESULT, ANOTHER TEST SHALL BE MADE AT 20°C±2°C IN TEMP., 60-70% IN HUMIDITY.
 - LIFE TEST: 2,000 CYCLES.
 - MECHANICAL CHARACTERISTICS:
 - BEFORE LIFE TEST: INSERTION FORCE: 0.8-3.0 Kgf, EXTRACTION FORCE: 0.6-1.8 Kgf,
 - AFTER LIFE TEST: INSERTION FORCE: 2.5 Kgf MAX EXTRACTION FORCE: 0.5 Kgf MIN,
 - AFTER LIFE TEST, CONTACT RESISTANCE: 120mΩ MAX.
 - AFTER HUMIDITY TEST, INSULATION RESISTANCE: 50MΩ MIN.
 - MARKING: MARK "S" ON TOP OF CONNECTOR.
 - PACKING : TAPE & REEL.
 - TO CONFORM TO SINGATRON HAZARDOUS SUBSTANCE FREE SPEC.
 - HALOGEN FREE PRODUCT IDENTIFICATION MARK ON JACK: Ⓞ
 - HALOGEN FREE PRODUCT IDENTIFICATION LABEL ON PACKAGING: Ⓞ

RECOMMENDED PCB LAYOUT(TOP VIEW)
(TOLERANCE: ±0.05)

TABLE "1"

PLATING P/N	PLATING & COLOR
2SJ3088-020111F	GOLD FLASH
2SJ3088-020211F	Au 30u"



H	SHELL	1	C2680-H 0.2T	Ni 60u" MIN. PLATING.
G	SEPARATE	1	LCP E130+30%GF,UL94-V0	BLACK
F	TRANSFER TERMINAL	1	C5210-EH, 0.2T	GOLD FLASH ; Ni 50 u" Min.
E	MAKE TERMINAL	1	C5210-EH, 0.25T	GOLD FLASH ON CONTACT AREA, MATTE Sn 80u" ON SOLDER TAIL, ALL OVER Ni 50u" MIN. PLATING.
D	TIP SPRING	1	C5210-EH, 0.2T	"SEE TABLE 1" ON CONTACT AREA, MATTE Sn 80u" ON SOLDER TAIL, ALL OVER Ni 50u" MIN. PLATING.
C	RING SPRING	1	C5210-EH, 0.2T	
B	EARTH	1	C5210-EH, 0.2T	
A	BODY	1	PA4T+30%GF,UL94-V0	BLACK
NO	DESCRIPTION	QTY	MATERIAL	PLATING & COLOR

UNLESS OTHERWISE SPECIFIED TOLERANCES

 Singatron Enterprise Co., Ltd.
信音企業股份有限公司

TITLE: **Ø3.50 AUDIO JACK**

DWN PENG PART NO. **2SJ3088-020X11F**

CHKD BRUCE SCALE:4:1 UNIT: mm

APVD LUSSEN SIZE: A3 SHEET:1 OF 1 REV: A

CUSTOMER COPY