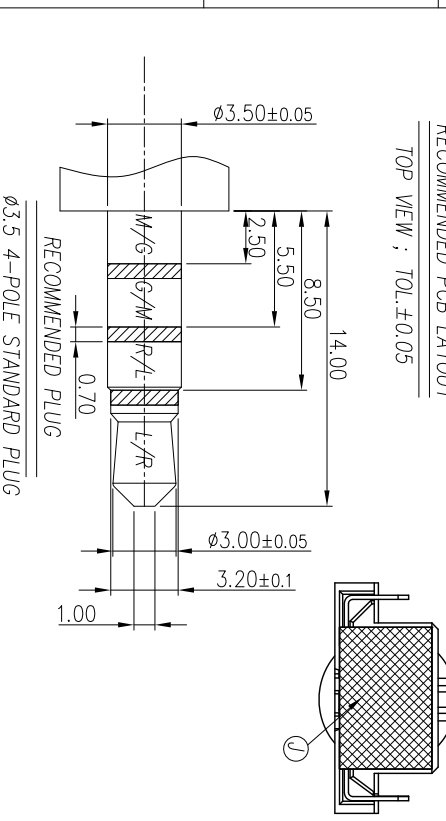
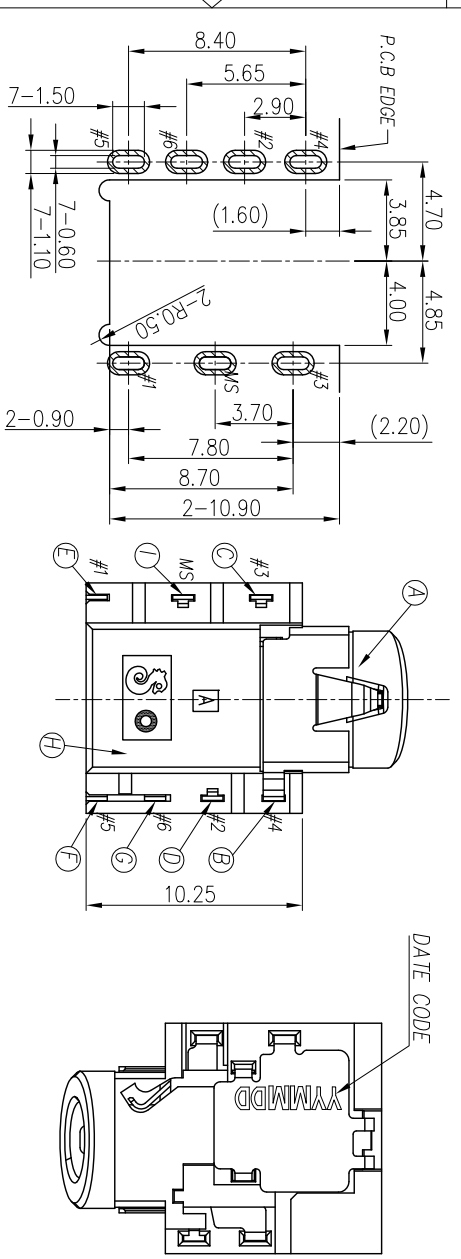
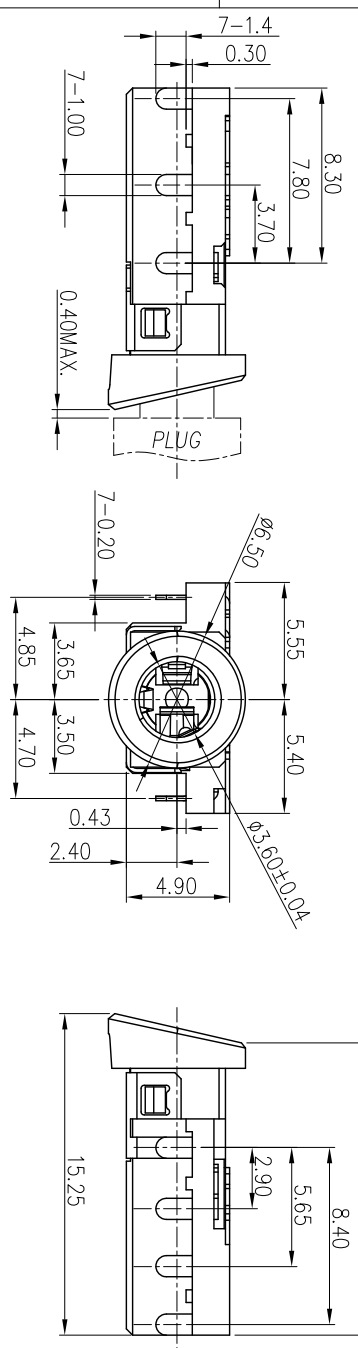
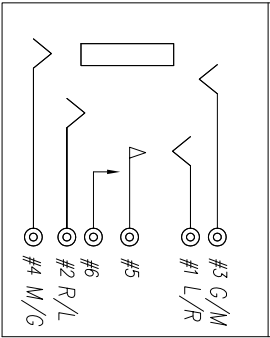


REV.	ECON NO OR DESCRIPTION	REVISED	DATE
A	PDR NO: T131224-2A	HM-JIANG 2014.08.13	



### SCHEMATIC



- SPECIFICATIONS:**
- INSULATION RESISTANCE BETWEEN ANY ADJACENT OPEN CIRCUIT TERMINAL SHELL NOT BE LESS THAN 100M Ω MEASURED BY 500 VDC.
  - CONTACT RESISTANCE: 50mΩ MAX.
  - INSULATION VOLTAGE WITHSTAND: 500V AC FOR ONE MINUTE.
  - UNLESS OTHERWISE SPECIFIED, TEST IS TO BE MADE AT 5-35°C IN TEMPERATURE AND 45-85% IN HUMIDITY. BUT IF ANY VAGUE DATA IS OCCURED ON TEST RESULT, ANOTHER TEST SHALL BE MADE AT 20°C±2°C IN TEMP., 60-70% IN HUMIDITY.
  - LIFE TEST: 5,000 CYCLES.
  - INSERTION FORCE: 0.3 - 3.0Kg.
  - WITHDRAWAL FORCE: 0.3 - 3.0Kg.
  - AFTER TEST, CONTACT RESISTANCE: 120mΩ MAX.
  - AFTER HUMIDITY TEST, INSULATION RESISTANCE: 50MΩ MIN.
  - MARKING: MARK "Y" ON TOP OF CONNECTOR.
  - PACKING: TAPE & REEL.
  - TO CONFORM TO SINGATRON HAZARDOUS SUBSTANCE FREE SPEC.
  - HALOGEN FREE PRODUCT IDENTIFICATION MARK ON JACK:
  - HALOGEN FREE PRODUCT IDENTIFICATION LABEL ON PACKAGING:

J	I	H	G	F	E	D	C	B	A	NO	UNLESS OTHERWISE SPECIFIED TOLERANCES	DECIMALS:	ANGLES:
MYLAR	SHELL	SEPARATOR	MAKE TERMINAL	TRANSFER TERMINAL	TIP SPRING	RING A	RING B	EARTH	BODY	DESCRIPTION			
1	1	1	1	1	1	1	1	1	1	QTY			
KAPTON: 6.6*4.2*0.08T	COPPER ALLOY, 0.2t	HIGH TEMP. THERMOPLASTIC UL 94V-0	COPPER ALLOY, 0.2t	COPPER ALLOY, 0.2t	COPPER ALLOY, 0.2t	COPPER ALLOY, 0.2t	COPPER ALLOY, 0.2t	COPPER ALLOY, 0.2t	HIGH TEMP. THERMOPLASTIC UL 94V-0	MATERIAL			
BLACK	Ni 60μ"min.	BLACK	GOOD FLASH ON CONTACT AREA GOOD FLASH ON SOLDER AREA ALL OVER 50μ" W.	GOOD FLASH ON CONTACT AREA GOOD FLASH ON SOLDER AREA ALL OVER 50μ" W.	GOOD FLASH ON CONTACT AREA GOOD FLASH ON SOLDER AREA ALL OVER 50μ" W.	GOOD FLASH ON CONTACT AREA GOOD FLASH ON SOLDER AREA ALL OVER 50μ" W.	GOOD FLASH ON CONTACT AREA GOOD FLASH ON SOLDER AREA ALL OVER 50μ" W.	GOOD FLASH ON CONTACT AREA GOOD FLASH ON SOLDER AREA ALL OVER 50μ" W.	BLACK	PLATING & COLOR			
<p>Singatron Enterprise Co., Ltd. 信亨企業股份有限公司</p>											<p>3.5ø PHONE JACK</p>		
<p>DWN HM-JIANG PART NO. 2S13095-030111F</p>											<p>SCALE 4:1 UNIT: mm</p>		
<p>CHKD BRUCE</p>											<p>SIZE: A3 SHEET: 1 OF 1 REV: A</p>		
<p>APVD LUSSSEN</p>											<p>CUSTOMER COPY</p>		