

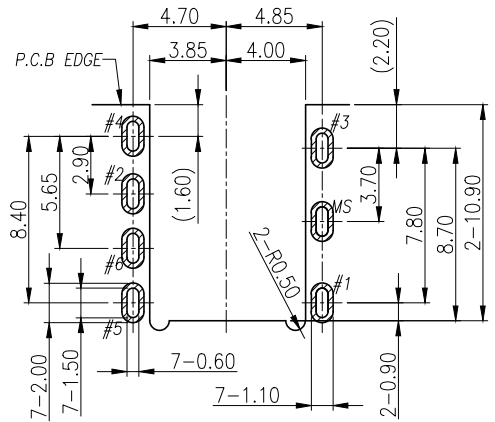
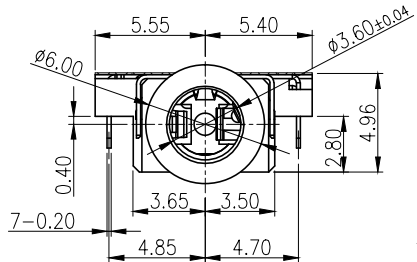
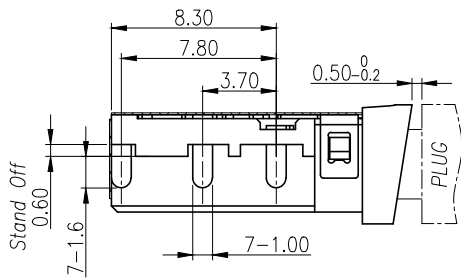


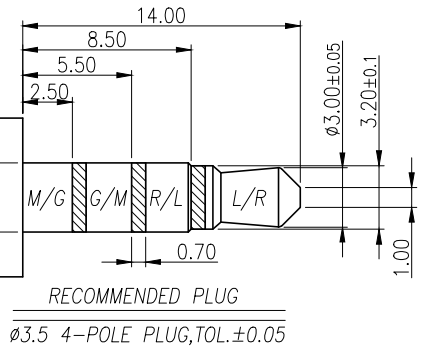
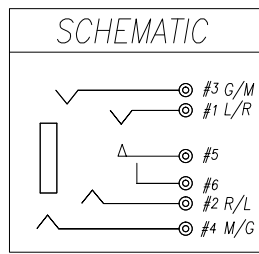
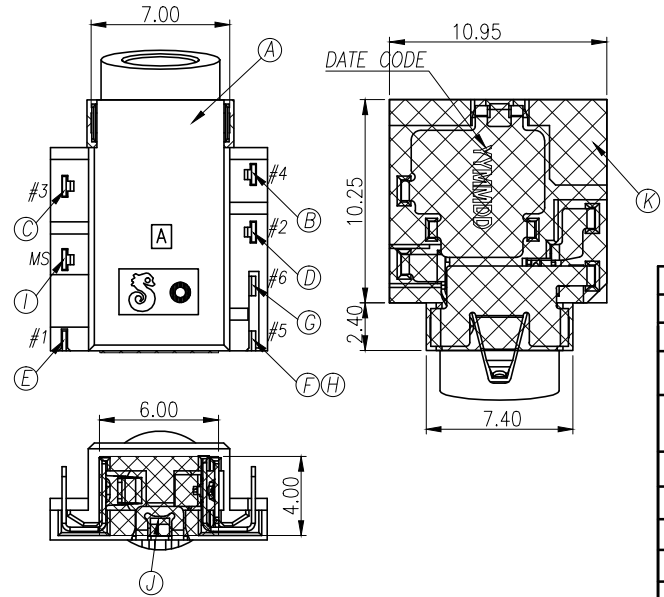
REV.	ECN NO OR DESCRIPTION	REVISED	DATE
A	PDR NO: T140107-5A	Kevin	2014.05.27
B	ECN NO: S140644	ANDY	2014.08.12
C	ECN NO: S140762	YUREN	2014.09.15

SPECIFICATIONS:

- ELECTRICAL CHARACTERISTICS:**
 - 1-1. RATING: 12V 1A
 - 1-2. CONTACT RESISTANCE: 30mΩ MAX.(INITIAL)
 - 1-3. DIELECTRIC WITHSTANDING VOLTAGE: 500V AC FOR ONE MINUTE.
 - 1-4. INSULATION RESISTANCE: 100MΩ MIN. MEASURED BY 500V DC
- MECHANICAL CHARACTERISTICS:**
 - 2-1. INSERTION FORCE : 0.3~3.0 KGF
 - 2-2. WITHDRAWAL FORCE : 0.3~3.0 KGF
- LIFE TEST: 5,000 CYCLES MIN.**
- OTHER GENERAL SPEC. TO REFER "2SJ3095 SERIES SPEC".**
- TO CONFORM TO SINGATRON HAZARDOUS SUBSTANCE FREE SPEC.**
- HALOGEN FREE PRODUCT IDENTIFICATION MARK ON PRODUCT:** 
- HALOGEN FREE PRODUCT IDENTIFICATION LOGO ON PACKAGING:** 
- FOR REFLOW SOLDERING LEAD-FREE PROCESS.**


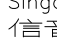


RECOMMENDED PCB LAYOUT
TOP VIEW ; TOL.±0.05



RECOMMENDED PLUG
Ø3.5 4-POLE PLUG, TOL.±0.05

NO	DESCRIPTION	QTY	MATERIAL	PLATING & COLOR
K	MYLAR	1	0.10t	BROWN
J	MYLAR	1	0.10t	BROWN
I	SHELL	1	BRASS 0.2t	Ni 60u"Min.
H	SEPARATOR	1	HIGH TEMP.THERMOPLASTIC UL 94V-0	BLACK
G	MAKE TERMINAL	1	PHOSPHOR BRONZE 0.2t	GOLD FLASH ON CONTACT AREA; GOLD FLASH ON SOLDER AREA; ALL OVER 50u" Ni.
F	TRANSFER TERMINAL	1	PHOSPHOR BRONZE 0.2t	GOLD FLASH ON CONTACT AREA; Matte Sn80u" ON SOLDER AREA; ALL OVER 50u" Ni.
E	TIP SPRING	1	PHOSPHOR BRONZE 0.2t	
D	RING A	1	PHOSPHOR BRONZE 0.2t	
C	RING B	1	PHOSPHOR BRONZE 0.2t	
B	EARTH	1	PHOSPHOR BRONZE 0.2t	BLACK
A	BODY	1	PA4T+30%GF UL 94V-0	

UNLESS OTHERWISE SPECIFIED TOLERANCES		 Singatron Enterprise Co., Ltd.  信音企業股份有限公司	
DECIMALS:	ANGLES:	TITLE: 3.5Ø PHONE JACK	
X :±0.5	X :±2°	DWN	YUREN PART NO. 2SJ3095-03211F
X.X :±0.3	X.X :±1°	CHKD	Cerry SCALE 4:1 UNIT: mm
X.XX :±0.2		APVD	Liao SIZE: A3 SHEET:1 OF 1 REV: C
CUSTOMER COPY			