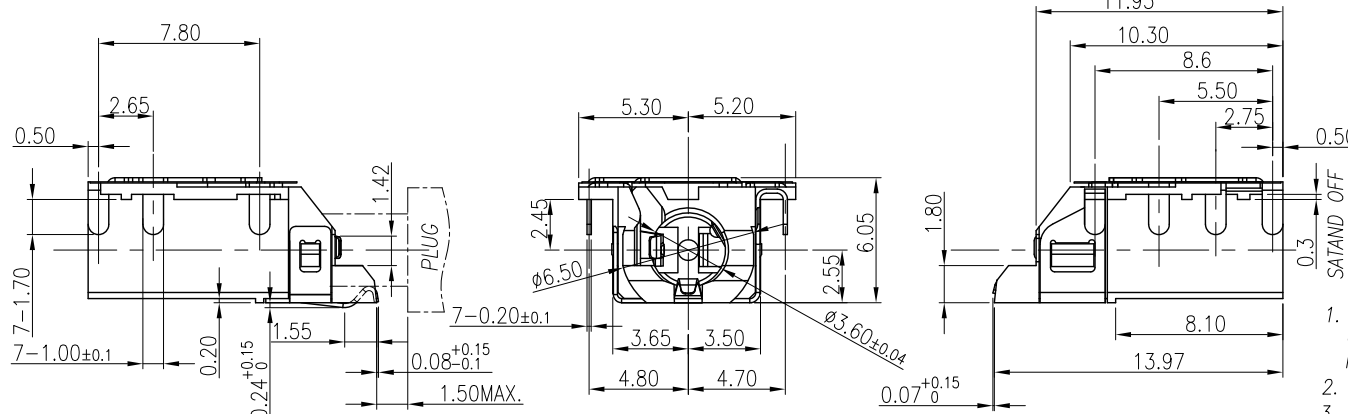
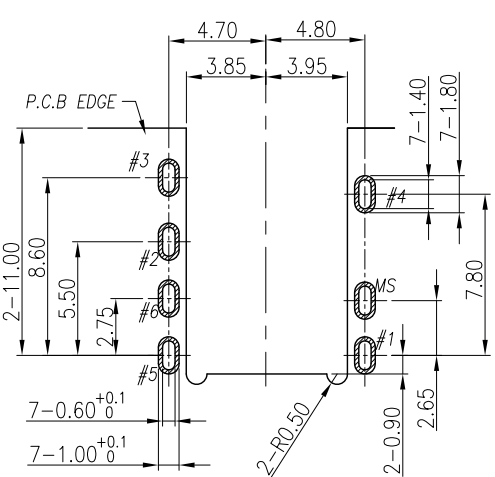


REV.	ECN NO OR DESCRIPTION	REVISED	DATE
A	PDR NO: T140311-5A	Bruce	2014.07.04



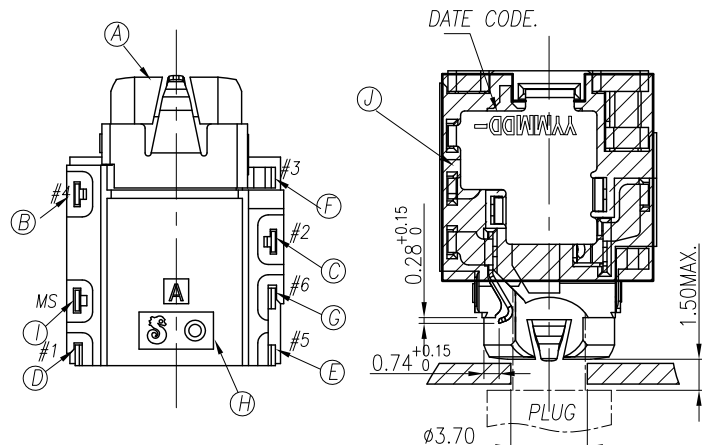
SPECIFICATIONS:

- INSULATION RESISTANCE BETWEEN ANY ADJACENT OPEN CIRCUIT TERMINAL SHELL NOT BE LESS THAN 100MΩ MEASURED BY 500V DC .
- CONTACT RESISTANCE: 50mΩ MAX(INITIAL).
- INSULATION VOLTAGE WITHSTAND:500V AC FOR ONE MINUTE.
- LIFE TEST: 5,000 CYCLES MIN.
- INSERTION FORCE: 0.3-3.0Kgf ,
- WITHDRAWAL FORCE: 0.3-3.0 Kgf,
- AFTER LIFE TEST, CONTACT RESISTANCE: 100mΩ MAX.
- AFTER HUMIDITY TEST, INSULATION RESISTANCE: 50MΩ MIN.
- MARKING: MARK "S" ON TOP OF CONNECTOR.
- PACKING : TAPE & REEL.
- TO CONFORM TO SINGATRON HAZARDOUS SUBSTANCE FREE SPEC.
- HALOGEN FREE PRODUCT IDENTIFICATION MARK ON PRODUCT:
- HALOGEN FREE PRODUCT IDENTIFICATION LOGO ON PACKAGING.



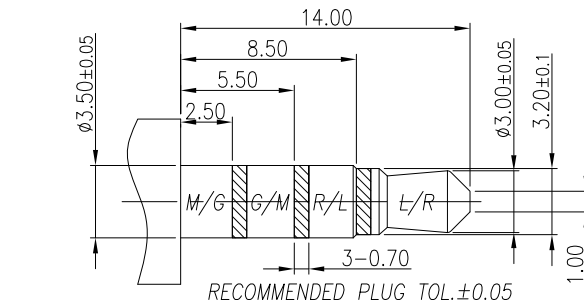
RECOMMENDED PCB LAYOUT

TOP VIEW ; TOL.±0.05



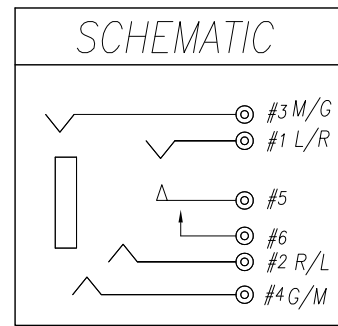
RECOMMENDED PANEL'S ID

TOP VIEW , TOL.±0.05



RECOMMENDED PLUG TOL.±0.05

ø3.5 4-POLE STANDARD PLUG



J	MYLAR	1	T=0.06	YELLOW
I	SHELL	1	BRASS 0.2t	Ni 60u"Min.
H	SEPARATOR	1	HIGH TEMP.THERMOPLASTIC UL 94V-0	BLACK
G	MAKE TERMINAL	1	PHOSPHOR BRONZE 0.2t	GOLD FLASH ON CONTACT AREA; GOLD FLASH ON SOLDER AREA; ALL OVER 50u" Ni.
F	EARTH	1	PHOSPHOR BRONZE 0.2t	
E	TRANSFER TERMINAL	1	PHOSPHOR BRONZE 0.2t	
D	TIP SPRING	1	PHOSPHOR BRONZE 0.2t	GOLD FLASH ON CONTACT AREA; Matte Sn80u" ON SOLDER AREA; ALL OVER 50u" Ni.
C	RING A	1	PHOSPHOR BRONZE 0.2t	
B	RING B	1	PHOSPHOR BRONZE 0.2t	
A	BODY	1	PA10T+30%GF UL 94V-0	BLACK
NO	DESCRIPTION	QTY	MATERIAL	PLATING & COLOR

UNLESS OTHERWISE SPECIFIED TOLERANCES		Singatron Enterprise Co., Ltd. 信音企業股份有限公司	
DECIMALS:	ANGLES:	TITLE	
X :±0.5	X :±2°	DWN Bruce	3.5ø PHONE JACK
X.X :±0.3	X.X :±1°	CHKD Sky	PART NO. 2SJ3095-037111F
X.XX :±0.2		APVD Lussen	SCALE 4:1 UNIT: mm
			SIZE: A3 SHEET:1 OF 1
			REV: A
CUSTOMER COPY			