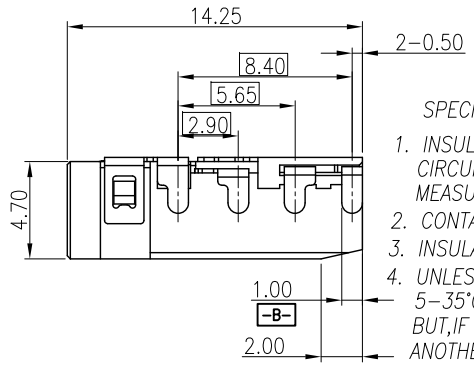
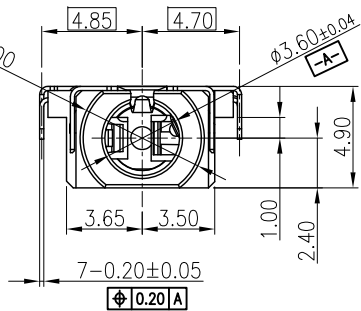
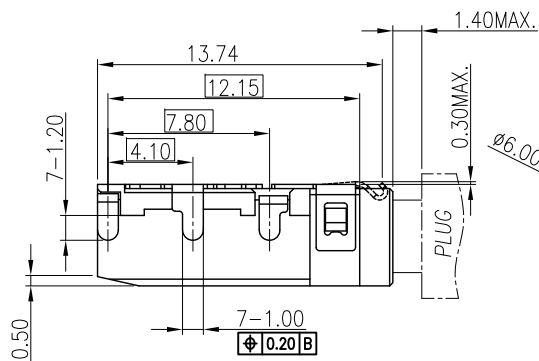
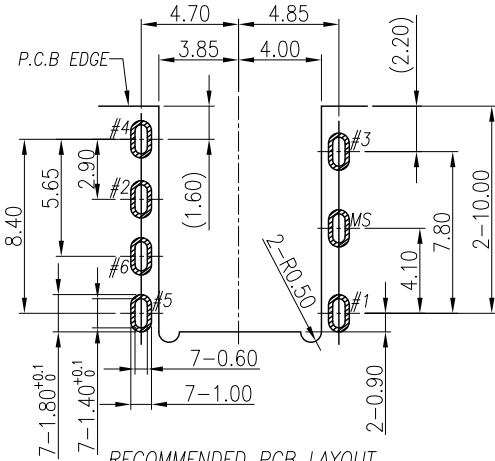


REV.	ECN NO OR DESCRIPTION	REVISED	DATE
A	PDR NO: T141023-6A	ROBIN	2015.03.31

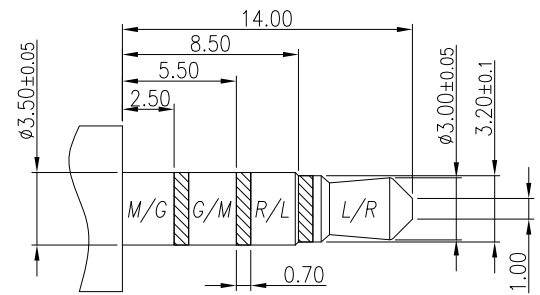
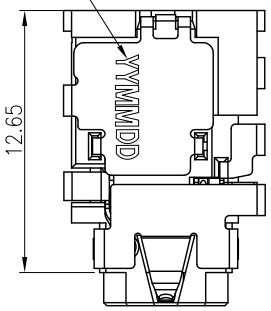
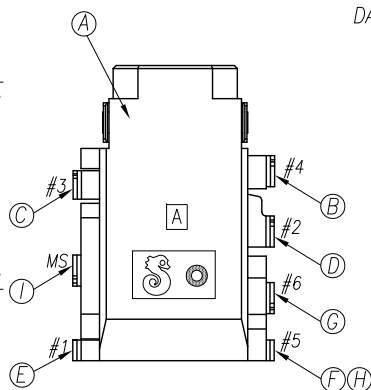


SPECIFICATIONS:

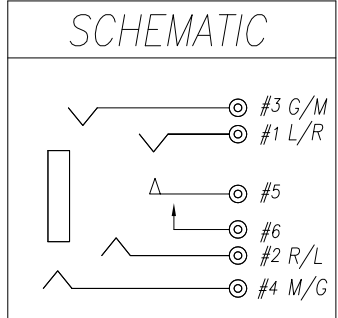
- INSULATION RESISTANCE BETWEEN ANY ADJACENT OREN CIRCUIT TERMINAL SHELL NOT BE LESS THAN 100M MEASURED BY 500 VDC.
- CONTACT RESISTANCE: 50mΩ MAX.(INITIAL)
- INSULATION VOLTAGE WITHSTAND:500V AC FOR ONE MINUTE.
- UNLESS OTHERWISE SPECIFIED. TEST IS TO BE MADE AT 5-35°C IN TEMPERATURE AND 45-85% IN HUMIDITY. BUT,IF ANY VAGUE DATA IS OCCURED ON TEST RESULT, ANOTHER TEST SHALL BE MADE AT 20°C±2°C IN TEMP., 60-70% IN HUMIDITY.
- LIFE TEST: 5,000 CYCLES MIN.
- INSERTION FORCE: 0.3 - 3Kg.
- WITHDRAWAL FORCE: 0.3 - 3Kg.
- AFTER TEST, CONTACT RESISTANCE: 100m Ω MAX.
- AFTER HUMIDITY TEST, INSULATION RESISTANCE: 50M Ω MIN.
- MARKING: MARK "S" ON TOP OF CONNECTOR.
- PACKING : TAPE & REEL.
- TO CONFORM TO SINGATRON HAZARDOUS SUBSTANCE FREE SPEC.
- HALOGEN FREE PRODUCT IDENTIFICATION MARK ON PRODUCT:
- HALOGEN FREE PRODUCT IDENTIFICATION LOGO ON PACKAGING:



RECOMMENDED PCB LAYOUT
TOP VIEW ; TOL.±0.05



RECOMMENDED PLUG
Ø3.5 4-POLE PLUG(TOL.±0.05)



I	SHELL	1	PHOSPHOR BRONZE 0.2t	Ni 60u"Min.
H	SEPARATOR	1	HIGH TEMP.THERMOPLASTIC UL 94V-0	BLACK
G	MAKE TERMINAL	1	PHOSPHOR BRONZE 0.2t	GOLD FLASH ON CONTACT AREA; GOLD FLASH ON SOLDER AREA; ALL OVER 50u" Ni.
F	TRANSFER TERMINAL	1	PHOSPHOR BRONZE 0.2t	
E	TIP SPRING	1	PHOSPHOR BRONZE 0.2t	GOLD FLASH ON CONTACT AREA;
D	RING A	1	PHOSPHOR BRONZE 0.2t	Matte Sn120u" ON SOLDER AREA
C	RING B	1	PHOSPHOR BRONZE 0.2t	ALL OVER 50u" Ni.
B	EARTH	1	PHOSPHOR BRONZE 0.2t	
A	BODY	1	HIGH TEMP.THERMOPLASTIC UL 94V-0	BLACK
NO	DESCRIPTION	QTY	MATERIAL	PLATING & COLOR

UNLESS OTHERWISE SPECIFIED TOLERANCES

Singatron Enterprise Co., Ltd.
信音企業股份有限公司

DECIMALS:	ANGLES:	TITLE	Ø3.50 AUDIO JACK	
X :±0.5	X :±2°	DWN	ROBIN	PART NO. 2SJ3095-059111F
X.X :±0.3	X.X :±1°	CHKD	Bruce	SCALE 4:1 UNIT: mm
X.XX :±0.2		APVD	Lussen	SIZE: A3 SHEET:1 OF 1 REV: A

CUSTOMER COPY