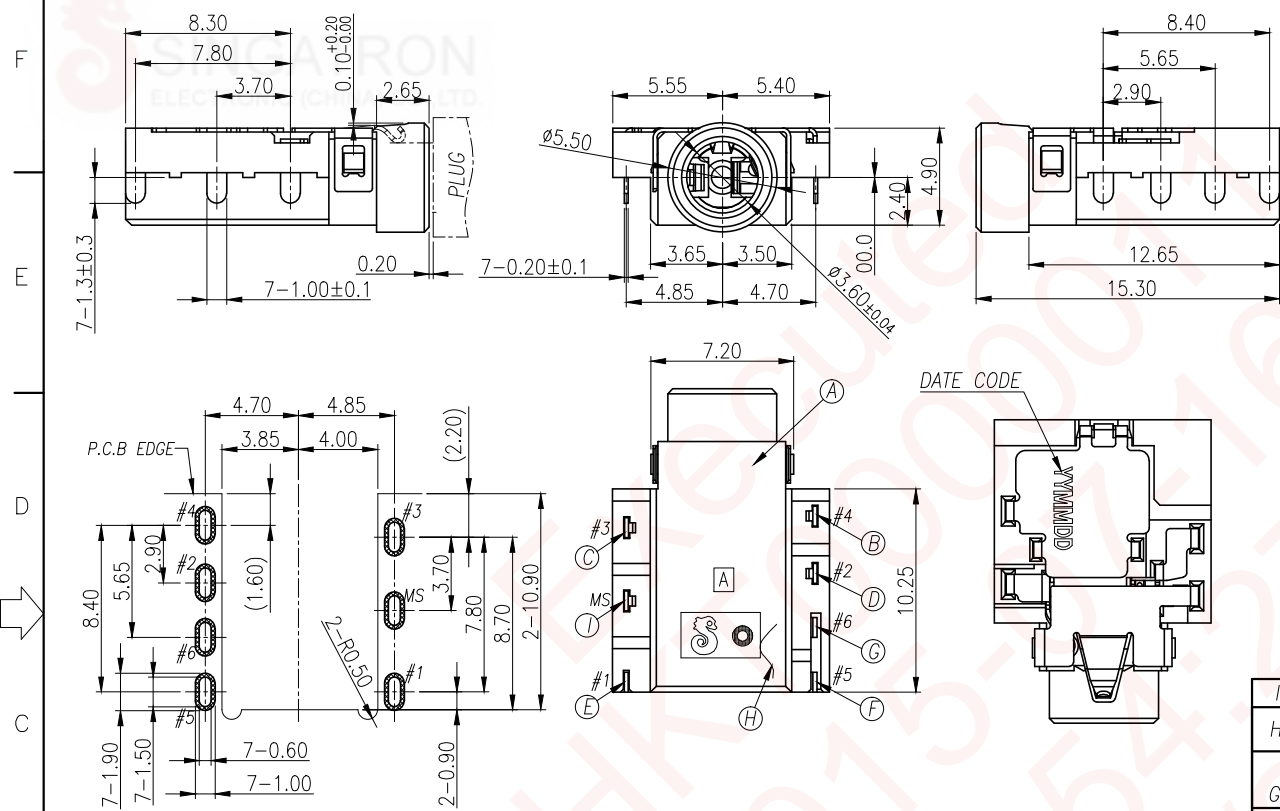


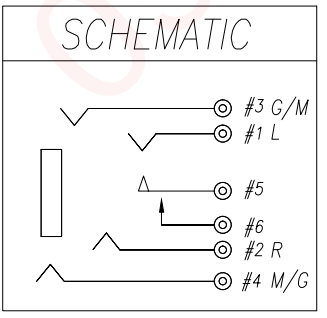
REV.	ECN NO OR DESCRIPTION	REVISED	DATE
A	PDR NO: T141117-8A	Danfeng	2015.07.08



- SPECIFICATIONS:
- INSULATION RESISTANCE BETWEEN ANY ADJACENT OPEN CIRCUIT TERMINAL SHELL NOT BE LESS THAN 100MΩ MEASURED BY 500 VDC.
 - CONTACT RESISTANCE: 50mΩ MAX(INITIAL).
 - INSULATION VOLTAGE WITHSTAND:500V AC FOR ONE MINUTE.
 - UNLESS OTHERWISE SPECIFIED, TEST IS TO BE MADE AT 5-35°C IN TEMPERATURE AND 45-85% IN HUMIDITY. BUT,IF ANY VAGUE DATA IS OCCURED ON TEST RESULT, ANOTHER TEST SHALL BE MADE AT 20°C±2°C IN TEMP., 60-70% IN HUMIDITY.
 - LIFE TEST: 5,000 CYCLES MIN.
 - INSERTION FORCE: 0.3 - 3Kg.
 - WITHDRAWAL FORCE: 0.3 - 3Kg.
 - AFTER TEST, CONTACT RESISTANCE: 100mΩ MAX.
 - AFTER HUMIDITY TEST, INSULATION RESISTANCE: 50MΩ MIN.
 - MARKING: MARK "S" ON TOP OF CONNECTOR.
 - PACKING : TAPE & REEL.
 - TO CONFORM TO SINGATRON HAZARDOUS SUBSTANCE FREE SPEC.
 - HALOGEN FREE PRODUCT IDENTIFICATION MARK ON PRODUCT:
 - HALOGEN FREE PRODUCT IDENTIFICATION LOGO ON PACKAGING:
 - OVER LOAD TEST>4.0kg

RECOMMENDED PCB LAYOUT
TOP VIEW ; TOL.±0.05

RECOMMENDED PLUG
ø3.5 4-POLE PLUG,TOL.±0.05



I	SHELL	1	PHOSPHOR BRONZE 0.2t	Ni 60u"Min.
H	SEPARATOR	1	HIGH TEMP.THERMOPLASTIC UL 94V-0	BLACK
G	MAKE TERMINAL	1	PHOSPHOR BRONZE 0.2t	GOLD FLASH ON CONTACT AREA; GOLD FLASH ON SOLDER AREA; ALL OVER 50u" Ni.
F	TRANSFER TERMINAL	1	PHOSPHOR BRONZE 0.2t	GOLD FLASH ON CONTACT AREA; Matte Sn120u" ON SOLDER AREA; ALL OVER 50u" Ni.
E	TIP SPRING	1	PHOSPHOR BRONZE 0.2t	Au 5u" ON CONTACT AREA;
D	RING A	1	PHOSPHOR BRONZE 0.2t	Matte Sn120u" ON SOLDER AREA;
C	RING B	1	PHOSPHOR BRONZE 0.2t	ALL OVER 50u" Ni.
B	EARTH	1	PHOSPHOR BRONZE 0.2t	
A	BODY	1	HIGH TEMP.THERMOPLASTIC UL 94V-0	BLACK
NO	DESCRIPTION	QTY	MATERIAL	PLATING & COLOR

UNLESS OTHERWISE SPECIFIED TOLERANCES

Singatron Enterprise Co., Ltd.
信音企業股份有限公司

DECIMALS: ANGLES:
X :±0.5 X :±2"
X.X :±0.3 X.X :±1"
X.XX :±0.2

TITLE	3.5ø PHONE JACK		
DWN	Danfeng	PART NO. 2SJ3095-065111F	
CHKD	Bruce	SCALE 4:1	UNIT: mm
APVD	Lussen	SIZE: A3	SHEET:1 OF 1
REV: A			

CUSTOMER COPY