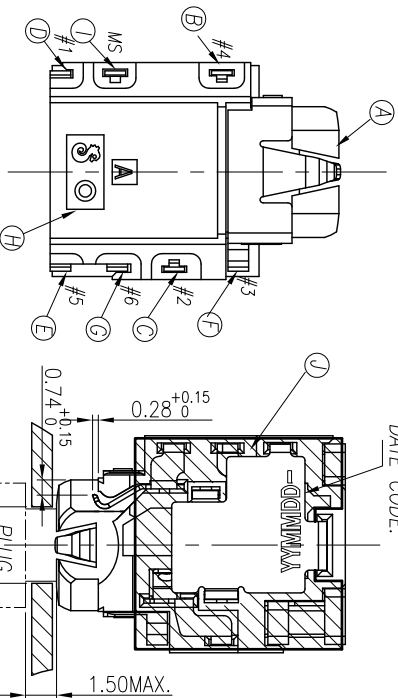


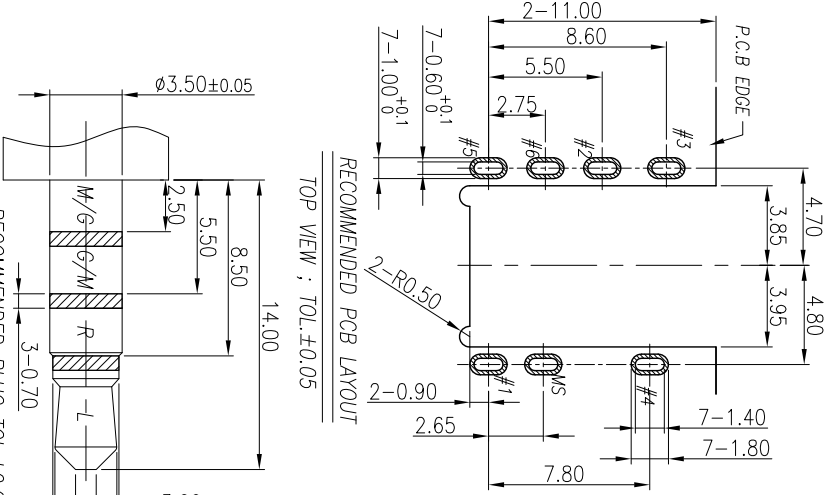
SPECIFICATIONS:

- INSULATION RESISTANCE BETWEEN ANY ADJACENT OPEN CIRCUIT TERMINAL SHELL NOT BE LESS THAN 100MΩ MEASURED BY 500V DC.
- CONTACT RESISTANCE: 50mΩ MAX(INITIAL).
- INSULATION VOLTAGE WITHSTAND:500V AC FOR ONE MINUTE.
- LIFE TEST: 5,000 CYCLES MIN.
- INSERTION FORCE: 0.3-3.0kgf.
- WITHDRAWAL FORCE: 0.3-3.0 kgf.
- AFTER LIFE TEST, CONTACT RESISTANCE: 100mΩ MAX.
- AFTER HUMIDITY TEST, INSULATION RESISTANCE: 50MΩ MIN.
- MARKING: MARK "S" ON TOP OF CONNECTOR.
- PACKING: TAPE & REEL.
- TO CONFORM TO SINGATRON HAZARDOUS SUBSTANCE FREE SPEC.
- HALOGEN FREE PRODUCT IDENTIFICATION MARK ON PRODUCT:
- HALOGEN FREE PRODUCT IDENTIFICATION LOGO ON PACKAGING:

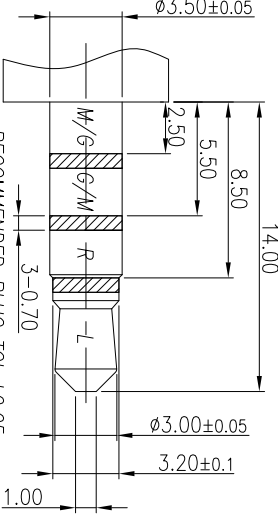


DATE CODE:
RECOMMENDED PANEL'S ID
TOP VIEW, TOL.±0.05

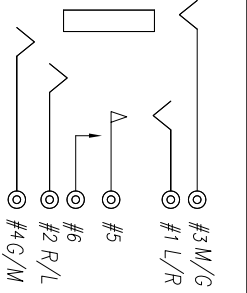
RECOMMENDED PCB LAYOUT
TOP VIEW ; TOL.±0.05



RECOMMENDED PLUG TOL.±0.05
TOP VIEW ; TOL.±0.05



SCHEMATIC



J	MYLAR	1	T=0.06	Brown
I	SHELL	1	BRASS 0.2t	Ni 60μMin.
H	SEPARATOR	1	HIGH TEMP.THERMOPLASTIC UL 94V-0	BLACK
G	MAKE TERMINAL	1	PHOSPHOR BRONZE 0.2t	GOLD FLASH ON CONTACT AREA GOLD FLASH ON SOLDER AREA ALL OVER 50μ W.
F	EARTH	1	PHOSPHOR BRONZE 0.2t	
E	TRANSFER TERMINAL	1	PHOSPHOR BRONZE 0.2t	
D	TIP SPRING	1	PHOSPHOR BRONZE 0.2t	
C	RING A	1	PHOSPHOR BRONZE 0.2t	GOLD FLASH ON CONTACT AREA GOLD FLASH ON SOLDER AREA ALL OVER 50μ W.
B	RING B	1	PHOSPHOR BRONZE 0.2t	
A	BODY	1	HIGH TEMP.THERMOPLASTIC UL 94V-0	BLACK
NO	DESCRIPTION	QTY	MATERIAL	PLATING & COLOR
UNLESS OTHERWISE SPECIFIED TOLERANCES				
Singatron Enterprise Co., Ltd. 信登企業股份有限公司				
TITLE: 3.5φ PHONE JACK				
DWN	Danfeng	PART NO.	2S13095-067111P	
CHKD	Bruce	SCALE	4:1	UNIT: mm
APVD	Lussen	SIZE: A3	SHEET: 1 OF 1	REV: A

CUSTOMER COPY

REV	ECN NO	OR DESCRIPTION	REVISED	DATE
A	PDR NO: T141124-10A	Danfeng		2015.03.25