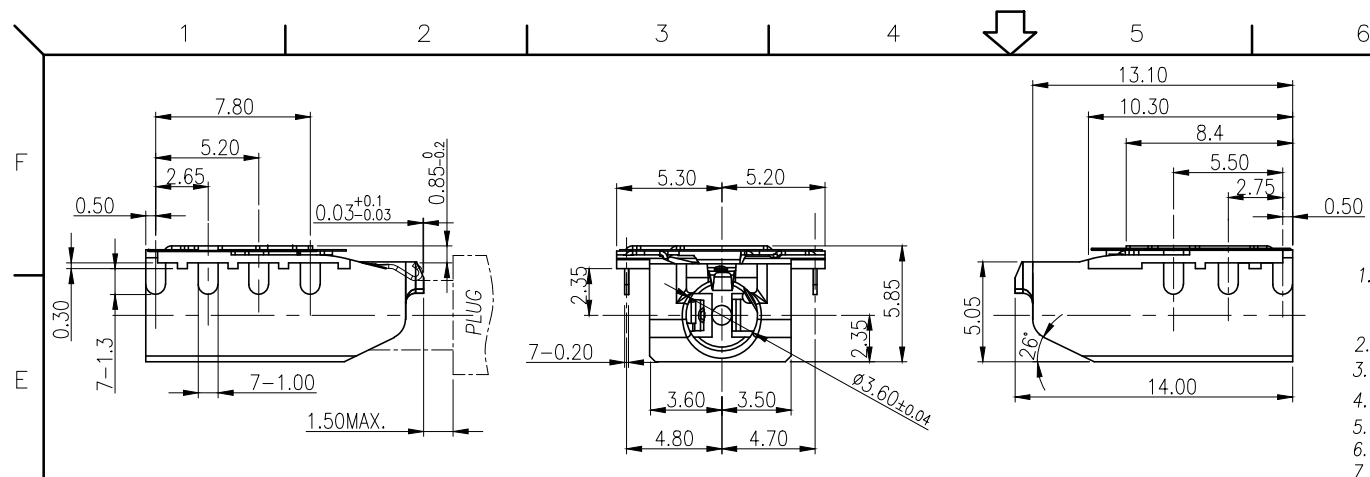
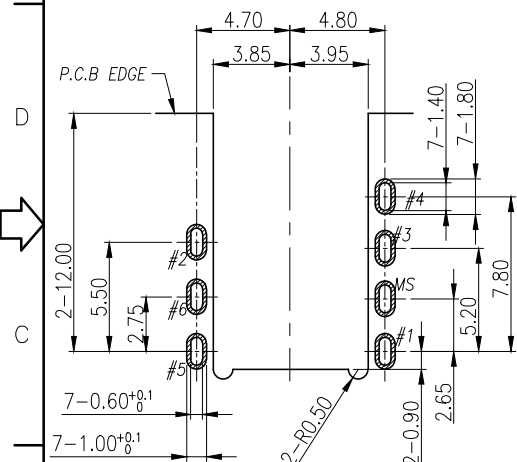


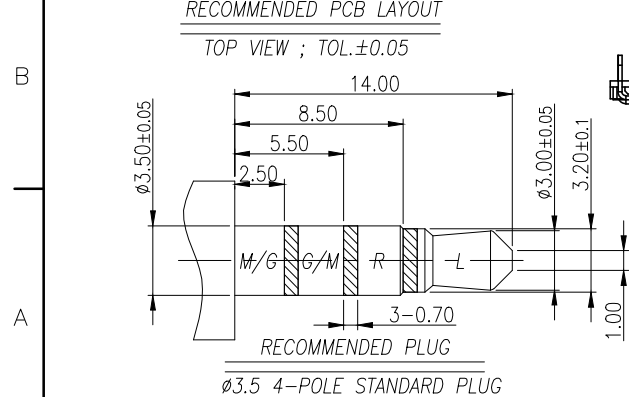
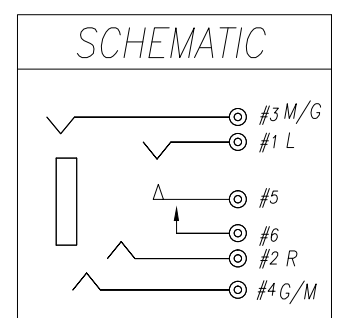
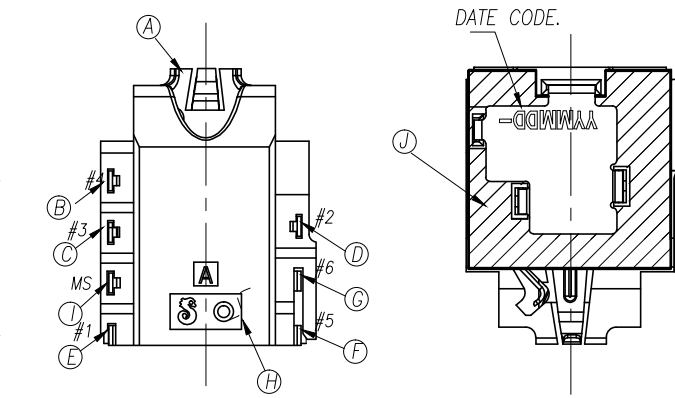
REV.	ECN NO OR DESCRIPTION	REVISED	DATE
B	ECN NO: S150945-C	JIE-FU	2015.11.17
C	ECN NO: S160118-C	JIE-FU	2016.04.22



- SPECIFICATIONS:
- INSULATION RESISTANCE BETWEEN ANY ADJACENT OPEN CIRCUIT TERMINAL SHELL NOT BE LESS THAN 100MΩ MEASURED BY 500V DC .
 - CONTACT RESISTANCE: 50mΩ MAX(INITIAL).
 - INSULATION VOLTAGE WITHSTAND:500V AC FOR ONE MINUTE.
 - LIFE TEST: 5,000 CYCLES MIN.
 - INSERTION FORCE: 0.3-2.0 Kgf ,
 - WITHDRAWAL FORCE: 0.3-2.0 Kgf,
 - AFTER LIFE TEST, CONTACT RESISTANCE: 100mΩ MAX.
 - AFTER HUMIDITY TEST, INSULATION RESISTANCE: 50MΩ MIN.
 - MARKING: MARK "S" ON TOP OF CONNECTOR.
 - PACKING : TAPE & REEL.
 - TO CONFORM TO SINGATRON HAZARDOUS SUBSTANCE FREE SPEC.
 - HALOGEN FREE PRODUCT IDENTIFICATION MARK ON PRODUCT:
 - HALOGEN FREE PRODUCT IDENTIFICATION LOGO ON PACKAGING:



RECOMMENDED PCB LAYOUT
TOP VIEW ; TOL.±0.05



RECOMMENDED PLUG
Ø3.5 4-POLE STANDARD PLUG

SEE "Table"

PART NO	PLATING
2SJ3095-084111F	GOLD FLASH
2SJ3095-084211F	Au 30u"

K	MYLAR	1	T=0.06	BLACK
J	MYLAR	1	T=0.06	YELLOW
I	SHELL	1	BRASS 0.2t	Ni 60u"Min.
H	SEPARATOR	1	HIGH TEMP.THERMOPLASTIC III 94V-0	BLACK
G	MAKE TERMINAL	1	PHOSPHOR BRONZE 0.2t	GOLD FLASH ON CONTACT AREA; GOLD FLASH ON SOLDER AREA; ALL OVER 50u" Ni.
F	TRANSFER TERMINAL	1	PHOSPHOR BRONZE 0.2t	GOLD FLASH ON CONTACT AREA; MATTE Sn120u" ON SOLDER AREA; ALL OVER 50u" Ni.
E	TIP SPRING	1	PHOSPHOR BRONZE 0.2t	SEE "TABLE" ON CONTACT AREA; MATTE Sn120u" ON SOLDER AREA; ALL OVER 50u" Ni.
D	RING A	1	PHOSPHOR BRONZE 0.2t	
C	EARTH	1	PHOSPHOR BRONZE 0.2t	
B	RING B	1	PHOSPHOR BRONZE 0.2t	
A	BODY	1	HIGH TEMP.THERMOPLASTIC UL 94V-0	BLACK
NO	DESCRIPTION	QTY	MATERIAL	PLATING & COLOR

UNLESS OTHERWISE SPECIFIED TOLERANCES

Singatron Enterprise Co., Ltd.
信音企業股份有限公司

DECIMALS:	ANGLES:	TITLE	3.5Ø PHONE JACK		
X :±0.5	X :±2°	DWN	JIE-FU	PART NO. 2SJ3095-084X11F	
X.X :±0.3	X.X :±1°	CHKD	CERRY	SCALE 4:1	UNIT: mm
X.XX :±0.2		APVD	LUSSEN	SIZE: A3	SHEET: 1 OF 1
REV: C					

CUSTOMER COPY