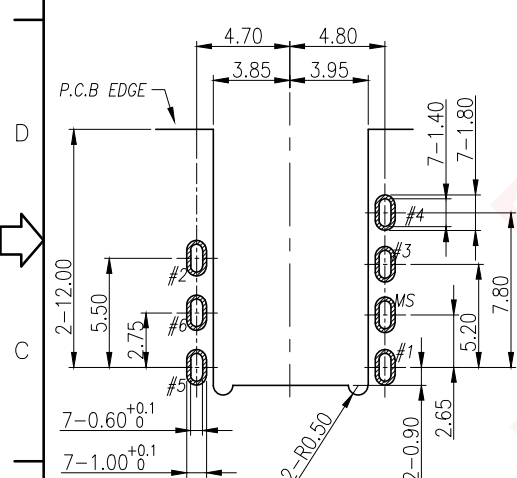
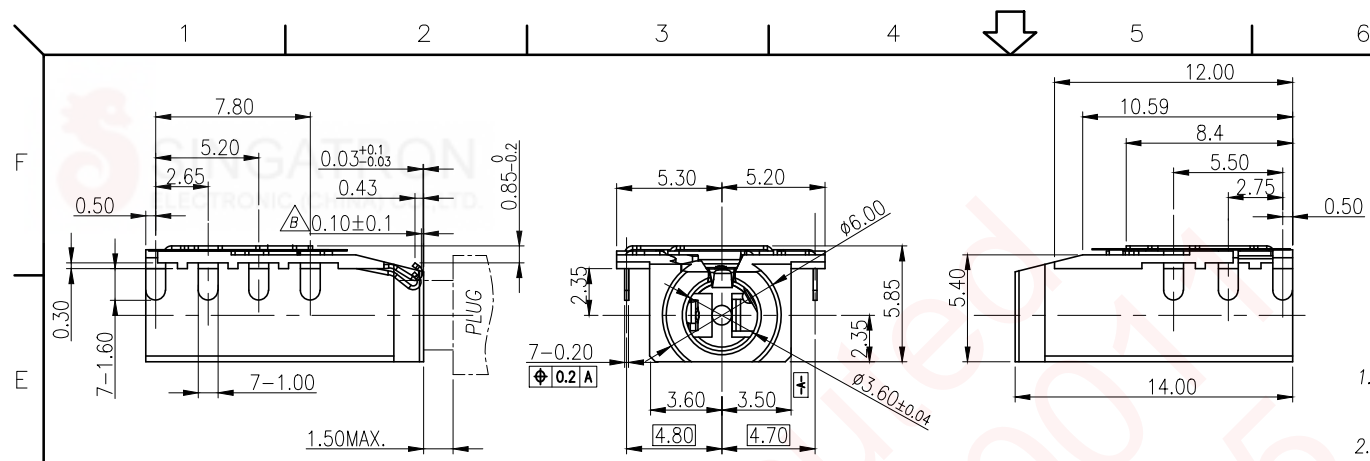
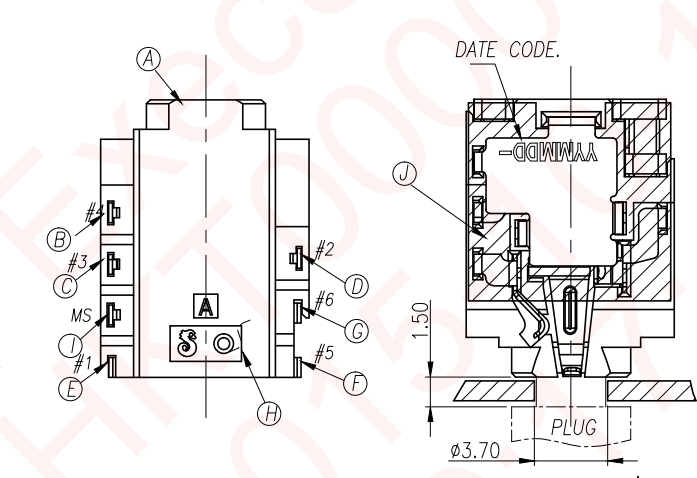


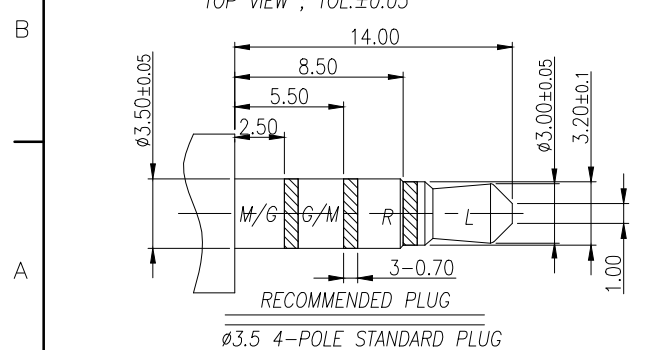
REV.	ECN NO OR DESCRIPTION	REVISED	DATE
A	PDR NO: T150506-1A	Danfeng	2015.06.25
B	ECN NO: S150839-C	JIE-FU	2015.09.23



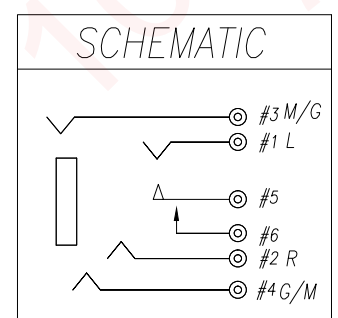
RECOMMENDED PCB LAYOUT  
TOP VIEW ; TOL.±0.05



RECOMMENDED PANEL'S ID  
TOP VIEW , TOL.±0.05



RECOMMENDED PLUG  
Ø3.5 4-POLE STANDARD PLUG



- SPECIFICATIONS:
- INSULATION RESISTANCE BETWEEN ANY ADJACENT OPEN CIRCUIT TERMINAL SHELL NOT BE LESS THAN 100MΩ MEASURED BY 500V DC .
  - CONTACT RESISTANCE: 50mΩ MAX(INITIAL).
  - INSULATION VOLTAGE WITHSTAND:500V AC FOR ONE MINUTE.
  - LIFE TEST: 5,000 CYCLES MIN.
  - INSERTION FORCE: 0.3-2.0 Kgf ,
  - WITHDRAWAL FORCE: 0.3-2.0 Kgf,
  - AFTER LIFE TEST, CONTACT RESISTANCE: 100mΩ MAX.
  - AFTER HUMIDITY TEST, INSULATION RESISTANCE: 50MΩ MIN.
  - MARKING: MARK "S" ON TOP OF CONNECTOR.
  - PACKING : TAPE & REEL.
  - TO CONFORM TO SINGATRON HAZARDOUS SUBSTANCE FREE SPEC.
  - HALOGEN FREE PRODUCT IDENTIFICATION MARK ON PRODUCT:
  - HALOGEN FREE PRODUCT IDENTIFICATION LOGO ON PACKAGING:

J	MYLAR	1	T=0.06	YELLOW
I	SHELL	1	BRASS 0.2t	Ni 60u"Min.
H	SEPARATOR	1	HIGH TEMP.THERMOPLASTIC III 94V-0	BLACK
G	MAKE TERMINAL	1	PHOSPHOR BRONZE 0.2t	GOLD FLASH ON CONTACT AREA; GOLD FLASH ON SOLDER AREA; ALL OVER 50u" Ni.
F	TRANSFER TERMINAL	1	PHOSPHOR BRONZE 0.2t	GOLD FLASH ON CONTACT AREA; Matte Sn80u" ON SOLDER AREA; ALL OVER 50u" Ni.
E	TIP SPRING	1	PHOSPHOR BRONZE 0.2t	
D	RING A	1	PHOSPHOR BRONZE 0.2t	
C	EARTH	1	PHOSPHOR BRONZE 0.2t	BLACK
B	RING B	1	PHOSPHOR BRONZE 0.2t	
A	BODY	1	HIGH TEMP.THERMOPLASTIC UL 94V-0	BLACK
NO	DESCRIPTION	QTY	MATERIAL	PLATING & COLOR

UNLESS OTHERWISE SPECIFIED TOLERANCES

Singatron Enterprise Co., Ltd.  
信音企業股份有限公司

DECIMALS:	ANGLES:	TITLE	3.5Ø PHONE JACK		
X :±0.5	X :±2°	DWN	JIE-FU	PART NO. 2SJ3095-085111F	
X.X :±0.3	X.X :±1°	CHKD	CERRY	SCALE 4:1	UNIT: mm
X.XX :±0.2		APVD	LIAO	SIZE: A3	SHEET:1 OF 1
<b>REV: B</b>					

**CUSTOMER COPY**