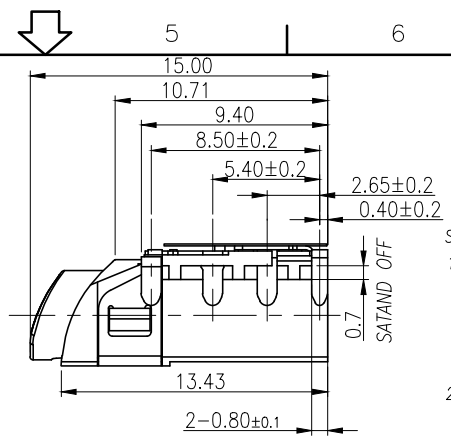
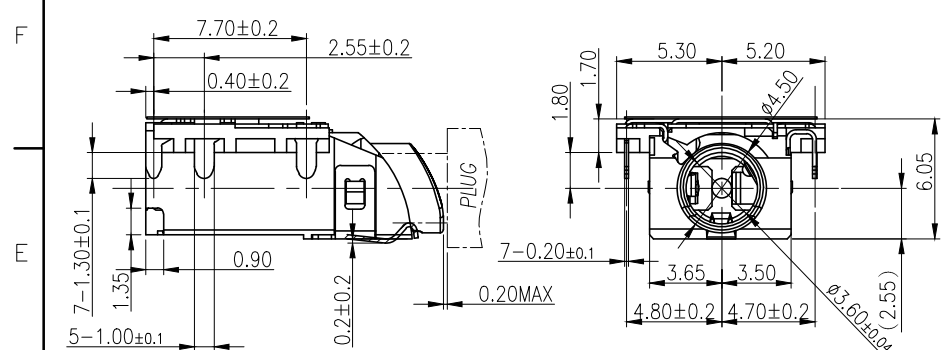
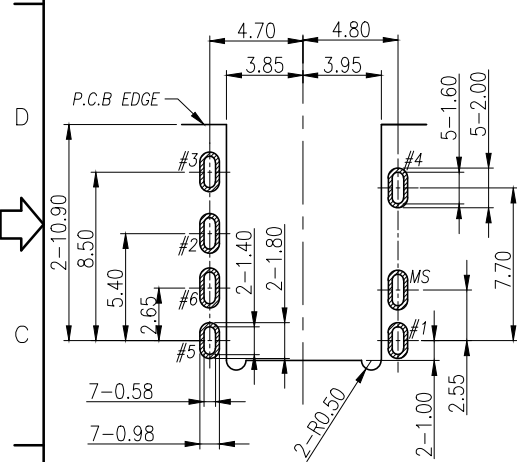


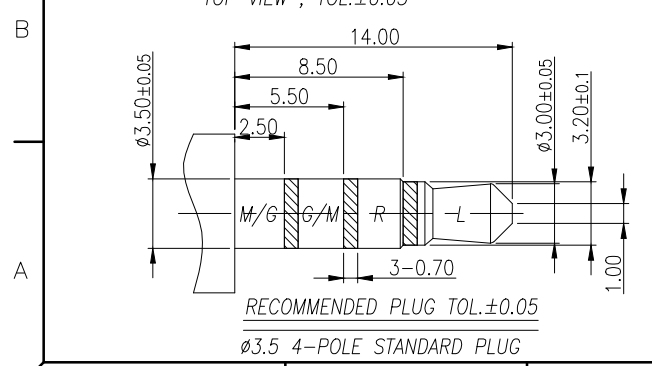
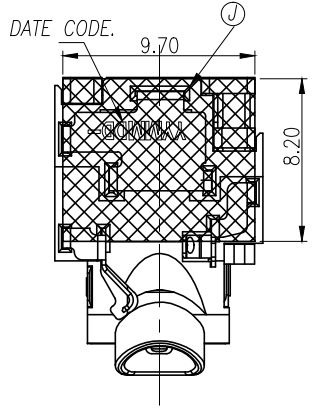
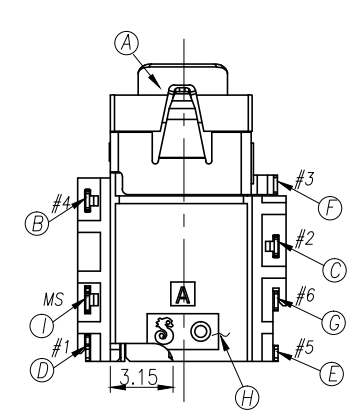
REV.	ECN NO OR DESCRIPTION	REVISED	DATE
A	PDR NO: T150526-5A	YULIN	2016.01.07



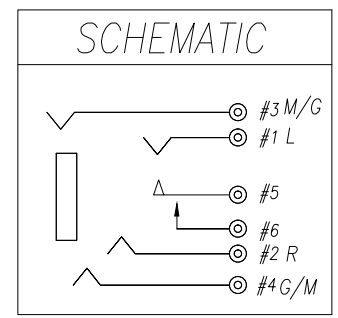
- SPECIFICATIONS:
- ELECTRICAL CHARACTERISTICS:
 - RATING: 12V 1A
 - CONTACT RESISTANCE: 50mΩ MAX.(INITIAL)
 - DIELECTRIC WITHSTANDING VOLTAGE: 500V AC FOR ONE MINUTE.
 - INSULATION RESISTANCE: 100MΩ MIN. MEASURED BY 500 VDC.
 - MECHANICAL CHARACTERISTICS:
 - INSERTION FORCE: 0.5~2.2Kgf AFTER THE FIFTH TIME; 0.4~2.2Kgf AFTER LIFE TEST;
 - WITHDRAWAL FORCE: 0.5~2.0Kgf AFTER THE FIFTH TIME; 0.4~2.0Kgf AFTER LIFE TEST;
 - LIFE TEST: 5,000 CYCLES MIN.
AFTER LIFE TEST, CONTACT RESISTANCE: 100mΩ MAX.
 - PACKAGING : TAPE & REEL.
 - AFTER HUMIDITY TEST, INSULATION RESISTANCE: 50MΩ MIN.
 - OTHER GENERAL SPEC TO REFER "AUDIO JACK FOR ASUS SPEC"
 - TO CONFORM TO SINGATRON HAZARDOUS SUBSTANCE FREE SPEC.
 - HALOGEN FREE PRODUCT IDENTIFICATION MARK ON PRODUCT:
 - HALOGEN FREE PRODUCT IDENTIFICATION LOGO ON PACKAGING:
 - FOR LEAD-FREE PROCESS.
 - PRINTED DATE CODE "YYMMDD-" ON TOP OF CONNECTOR.
 - OVERLOADING FORCE < 4KGF



RECOMMENDED PCB LAYOUT
TOP VIEW ; TOL.±0.05



RECOMMENDED PLUG TOL.±0.05
ø3.5 4-POLE STANDARD PLUG



J	MYLAR	1	T=0.10	BROWN
I	SHELL	1	C2680 0.20T	Ni 60u"Min.
H	SEPARATOR	1	LCP +30%GF,E130; UL 94V-0	BLACK
G	MAKE TERMINAL	1	C5210, 0.2T	GOLD FLASH ON CONTACT AREA; GOLD FLASH ON SOLDER AREA; ALL OVER 50u" NI.
F	EARTH	1	C5210, 0.2T	
E	TRANSFER TERMINAL	1	C5210, 0.2T	
D	TIP SPRING	1	C5210, 0.2T	GOLD FLASH ON CONTACT AREA; Matte Sn120u" ON SOLDER AREA; ALL OVER 50u" NI.
C	RING A	1	C5210, 0.2T	
B	RING B	1	C5210, 0.2T	
A	BODY	1	PA4T+30% GF UL 94V-0	BLACK
NO	DESCRIPTION	QTY	MATERIAL	PLATING & COLOR
UNLESS OTHERWISE SPECIFIED TOLERANCES		Singatron Enterprise Co., Ltd. 信音企業股份有限公司		
DECIMALS: ANGLES:		TITLE		
X	:±0.5	X	:±2°	3.5ø AUDIO JACK
X.X	:±0.3	X.X	:±1°	DWN YULIN PART NO. 2SJ3095-087111F
X.XX	:±0.2	APVD	LUSSEN	CHKD BRUCE SCALE 4:1 UNIT: mm
		SIZE: A3 SHEET:1 OF 1 REV: A		
CUSTOMER COPY				