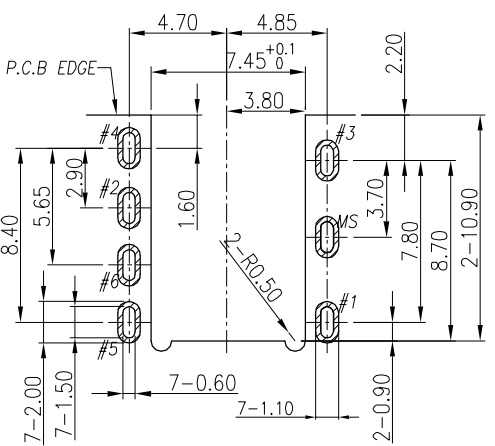
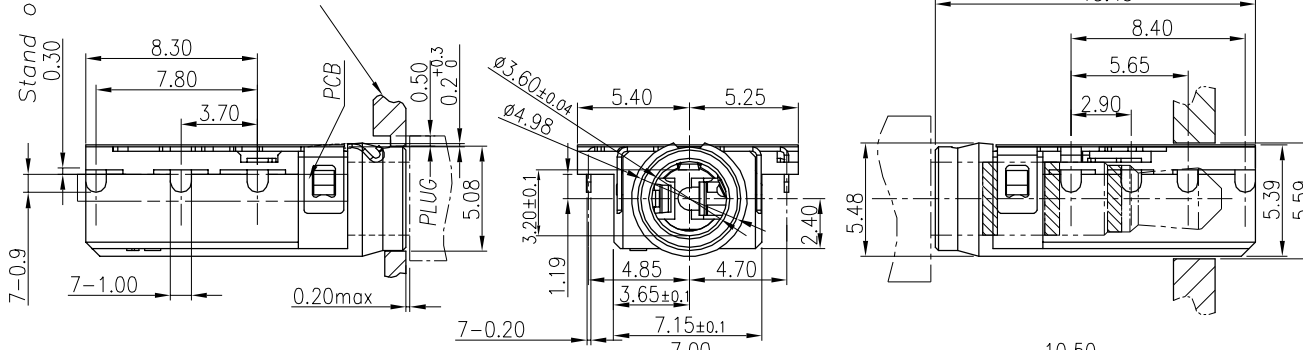
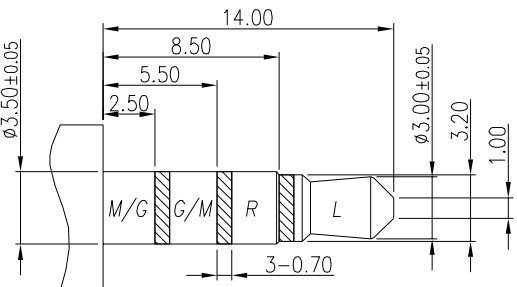


REV.	ECN NO OR DESCRIPTION	REVISED	DATE
A	PDR NO: T150828-8A	Yulin	2016.05.09
	PDR NO: T151008-1A		

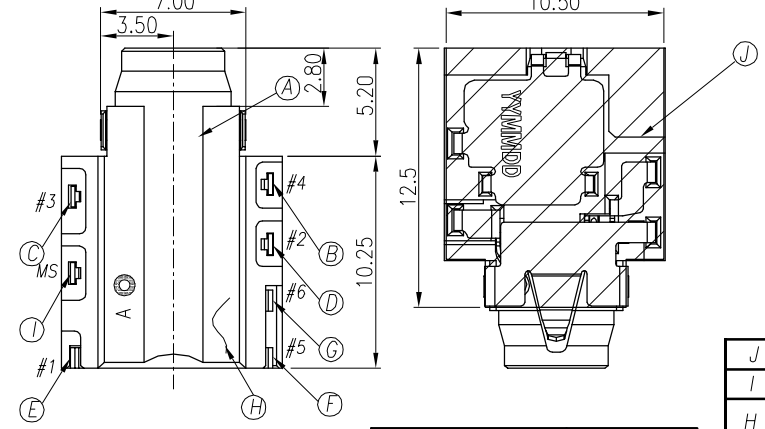
RECOMMENDED LOADING TEST PANEL'S ID



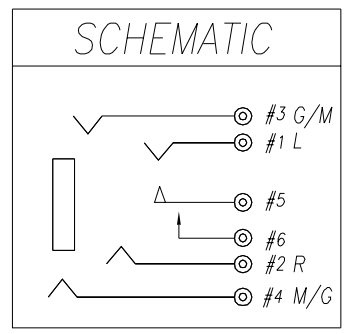
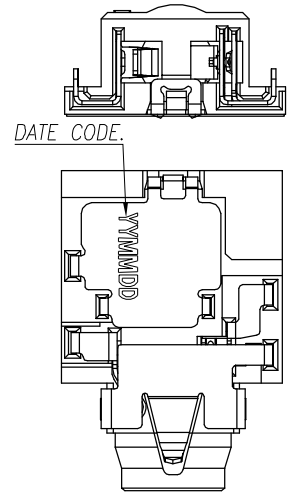
RECOMMENDED PCB LAYOUT  
TOP VIEW ; TOL.±0.05



RECOMMENDED PLUG(TOL.±0.05)  
ø3.5 4-POLE PLUG



PART NO	PLATING
2SJ3095-093111F	AU 30u"
2SJ3095-093211F	G/F



- SPECIFICATIONS:
- INSULATION RESISTANCE BETWEEN ANY ADJACENT OPEN CIRCUIT TERMINAL SHELL NOT BE LESS THAN 100MΩ MEASURED BY 500 VDC.
  - CONTACT RESISTANCE: 50mΩ MAX(INITIAL).
  - INSULATION VOLTAGE WITHSTAND:500V AC FOR ONE MINUTE.
  - UNLESS OTHERWISE SPECIFIED. TEST IS TO BE MADE AT 5-35°C IN TEMPERATURE AND 45-85% IN HUMIDITY. BUT,IF ANY VAGUE DATA IS OCCURED ON TEST RESULT, ANOTHER TEST SHALL BE MADE AT 20°C±2°C IN TEMP., 60-70% IN HUMIDITY.
  - LIFE TEST: 5,000 CYCLES MIN.
  - INSERTION FORCE: 0.4 - 3Kg.
  - WITHDRAWAL FORCE: 0.4 - 3Kg.
  - AFTER LIFE TEST, CONTACT RESISTANCE: 100mΩ MAX.
  - AFTER HUMIDITY TEST, INSULATION RESISTANCE: 50MΩ MIN.
  - PACKING : TAPE & REEL.
  - TO CONFORM TO SINGATRON HAZARDOUS SUBSTANCE FREE SPEC.
  - HALOGEN FREE PRODUCT IDENTIFICATION MARK ON PRODUCT.
  - HALOGEN FREE PRODUCT IDENTIFICATION LOGO ON PACKAGING.

J	MYLAR	1	KAPTON: 10.5*12.5*0.1T	BROWN
I	SHELL	1	PHOSPHOR BRONZE 0.2t	Ni 60u"Min.
H	SEPARATOR	1	HIGH TEMP.THERMOPLASTIC UL 94V-0	BLACK
G	MAKE TERMINAL	1	PHOSPHOR BRONZE 0.2t	GOLD FLASH ON CONTACT AREA; GOLD FLASH ON SOLDER AREA; ALL OVER 50u" Ni.
F	TRANSFER TERMINAL	1	PHOSPHOR BRONZE 0.2t	
E	TIP SPRING	1	PHOSPHOR BRONZE 0.2t	"SEE TABLE "ON CONTACT AREA; Matte Sn120u" ON SOLDER AREA; ALL OVER 50u" Ni.
D	RING A	1	PHOSPHOR BRONZE 0.2t	
C	RING B	1	PHOSPHOR BRONZE 0.2t	
B	EARTH	1	PHOSPHOR BRONZE 0.2t	"SEE TABLE " ON CONTACT AREA; GOLD FLASH ON SOLDER AREA, ALL OVER 50u" Ni
A	BODY	1	HIGH TEMP.THERMOPLASTIC UL 94V-0	BLACK
NO	DESCRIPTION	QTY	MATERIAL	PLATING & COLOR

UNLESS OTHERWISE SPECIFIED TOLERANCES		Singatron Enterprise Co., Ltd. 信音企業股份有限公司	
DECIMALS:	ANGLES:	TITLE	
X :±0.5	X :±2°	DWN	YULIN
X.X :±0.3	X.X :±1°	CHKD	BRUCE
X.XX :±0.2		APVD	LUSSEN
		PART NO. 2SJ3095-093X11F	
		SCALE	4:1
		UNIT:	mm
		SIZE:	A3
		SHEET:	1 OF 1
		REV:	A
CUSTOMER COPY			