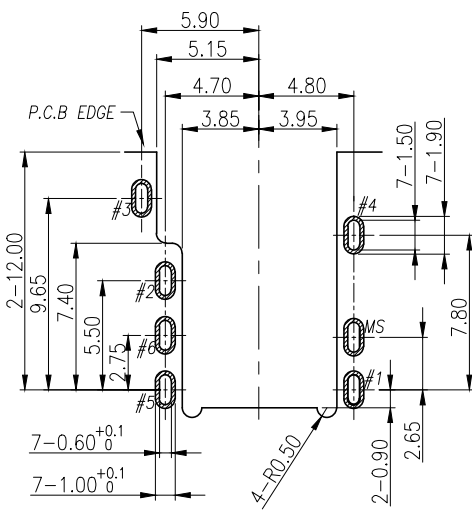
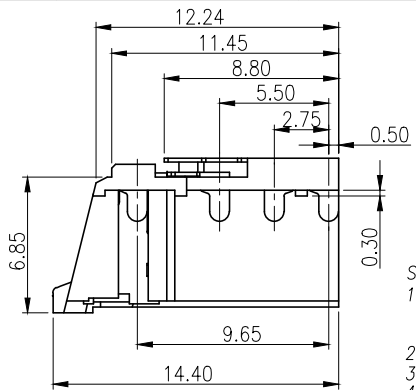
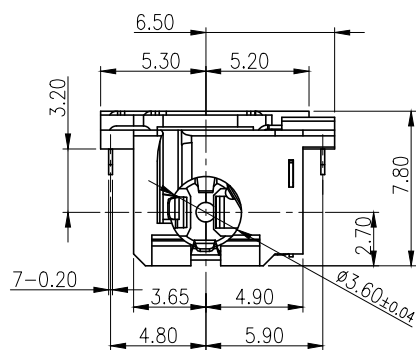
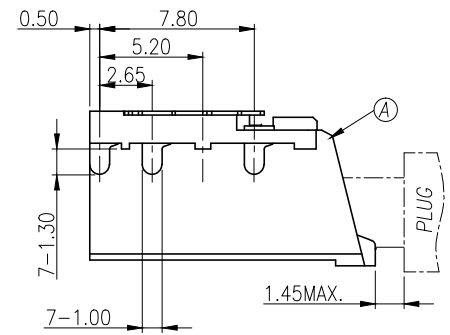


REV.	ECN NO OR DESCRIPTION	REVISED	DATE
A	PDR NO:T151016-1A PDR NO:T151016-1B	Yulin	2016.03.29
B	ECN NO:S160516-C	JIE-FU	2016.05.16

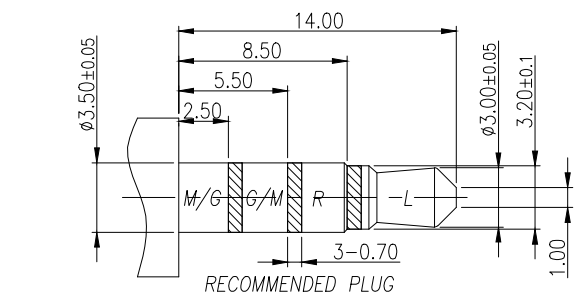
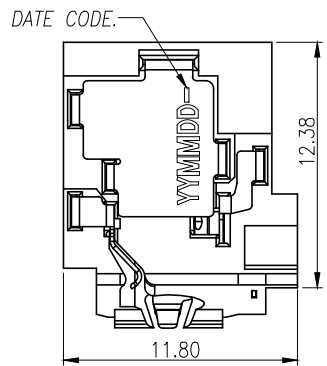
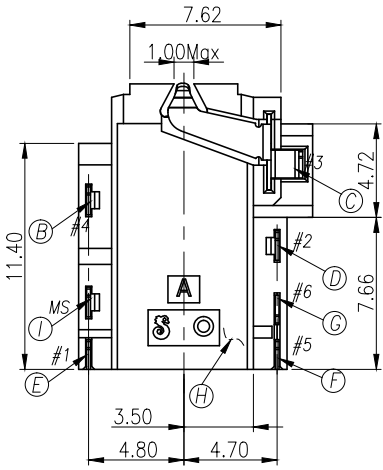
P/N	PLATING
2SJ3095-098111F	GOLD FLASH ON CONTACT AREA; Matte Sn 80u" ON SOLDER AREA; ALL OVER 50u" Ni.
2SJ3095-098211F	Au 30u" ON CONTACT AREA; Matte Sn 80u" ON SOLDER AREA; ALL OVER 50u" Ni.

SPECIFICATIONS:

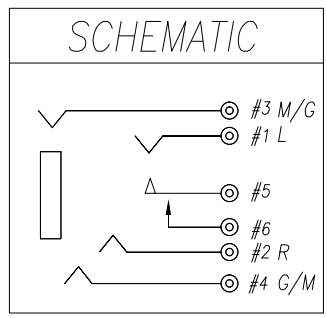
- INSULATION RESISTANCE BETWEEN ANY ADJACENT OPEN CIRCUIT TERMINAL SHELL NOT BE LESS THAN 100MΩ MEASURED BY 500 VDC.
- CONTACT RESISTANCE: 50mΩ MAX.
- INSULATION VOLTAGE WITHSTAND: 500V AC FOR ONE MINUTE. UNLESS OTHERWISE SPECIFIED. TEST IS TO BE MADE AT 5-35°C IN TEMPERATURE AND 45-85% IN HUMIDITY. BUT, IF ANY VAGUE DATA IS OCCURED ON TEST RESULT, ANOTHER TEST SHALL BE MADE AT 20°C±2°C IN TEMP., 60-70% IN HUMIDITY.
- LIFE TEST: 5,000 CYCLES.
- INSERTION FORCE: 0.5 - 3.0Kg.
- WITHDRAWAL FORCE: 0.5 - 3.0Kg.
- AFTER TEST, CONTACT RESISTANCE: 100mΩ MAX.
- AFTER HUMIDITY TEST, INSULATION RESISTANCE: 50MΩ MIN.
- MARKING: MARK "S" ON BOTTOM OF CONNECTOR.
- PACKING : TAPE & REEL.
- TO CONFORM TO SINGATRON HAZARDOUS SUBSTANCE FREE SPEC.
- HALOGEN FREE PRODUCT IDENTIFICATION MARK ON JACK:
- HALOGEN FREE PRODUCT IDENTIFICATION LABEL ON PACKAGING:



RECOMMENDED PCB LAYOUT
TOP VIEW ; TOL.±0.05



RECOMMENDED PLUG
ø3.5 4-POLE STANDARD PLUG



I	SHELL	1	COPPER ALLOY, 0.2t	Ni 60u"Min.
H	SEPARATOR	1	HIGH TEMP.THERMOPLASTIC UL 94V-0	BLACK
G	MAKE	1	COPPER ALLOY, 0.2t	GOLD FLASH ON CONTACT AREA; GOLD FLASH ON SOLDER AREA; ALL OVER 50u" Ni.
F	TRANSFER	1	COPPER ALLOY, 0.2t	SEE TABLE
E	TIP	1	COPPER ALLOY, 0.2t	
D	RING-A	1	COPPER ALLOY, 0.2t	
C	EARTH	1	COPPER ALLOY, 0.2t	
B	RING-B	1	COPPER ALLOY, 0.2t	BLACK
A	BODY	1	HIGH TEMP.THERMOPLASTIC UL 94V-0	
NO	DESCRIPTION	QTY	MATERIAL	PLATING & COLOR

UNLESS OTHERWISE SPECIFIED TOLERANCES		Singatron Enterprise Co., Ltd. 信音企業股份有限公司		
DECIMALS:	ANGLES:	TITLE		
X :±0.5	X :±2°	ø3.50 AUDIO JACK		
X.X :±0.3	X.X :±1°	DWN	JIE-FU	PART NO. 2SJ3095-098X11F
X.XX :±0.2		CHKD	CERRY	SCALE 4:1 UNIT: mm
		APVD	LUSSEN	SIZE: A3 SHEET:1 OF 1 REV: B
CUSTOMER COPY				