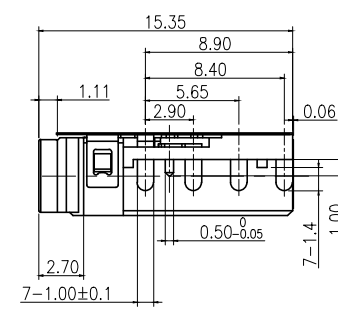
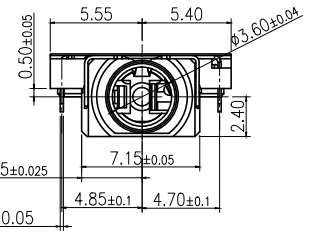
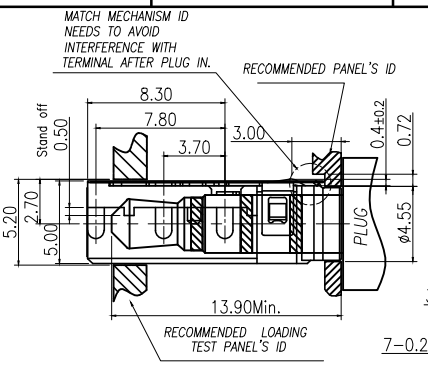
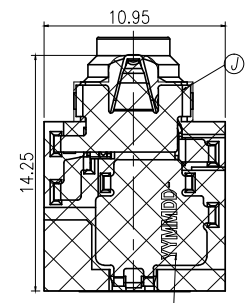
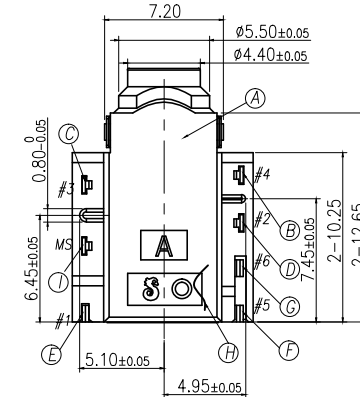
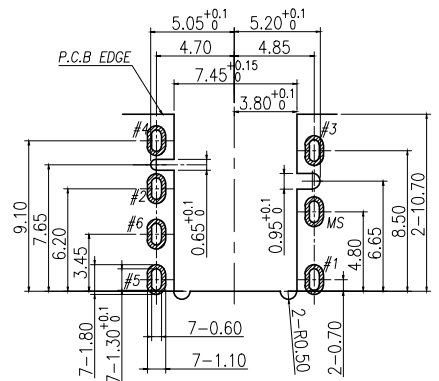


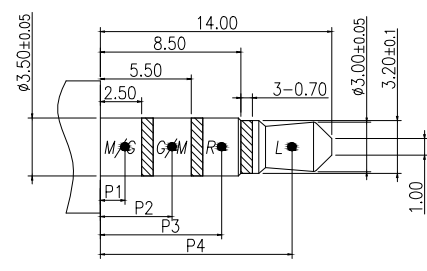
REV.	ECN NO OR DESCRIPTION	REVISED	DATE
A	PDR NO: T160127-2A	Yulin	2016.10.19



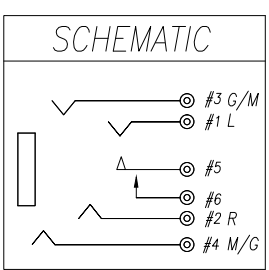
- SPECIFICATIONS:
- ELECTRICAL CHARACTERISTICS:
 - RATING: 12V 1A
 - CONTACT RESISTANCE: 50mΩ MAX.(INITIAL)
 - DIELECTRIC WITHSTANDING VOLTAGE: 500V AC FOR ONE MINUTE.
 - INSULATION RESISTANCE: 100MΩ MIN. MEASURED BY 500 VDC.
 - MECHANICAL CHARACTERISTICS:
 - INSERTION FORCE: 0.8~3.0Kgf INITIAL ; 2.5 Kgf Max. After THE 2000th 0.3 Kgf Min. AFTER LIFE TEST;
 - WITHDRAWAL FORCE: 0.6~1.8Kgf INITIAL; 0.5 Kgf Min. After THE 2000th 0.3 Kgf Min. AFTER LIFE TEST;
 - LIFE TEST: 5,000 CYCLES Min. AFTER LIFE TEST, CONTACT RESISTANCE: 100mΩ MAX.
 - PACKAGING : TAPE & REEL.
 - AFTER HUMIDITY TEST, INSULATION RESISTANCE: 50MΩ MIN.
 - OTHER GENERAL SPEC TO REFER "AUDIO JACK FOR 2SJ3095-118111F SPEC"
 - TO CONFORM TO SINGATRON HAZARDOUS SUBSTANCE FREE SPEC.
 - HALOGEN FREE PRODUCT IDENTIFICATION MARK ON PRODUCT:
 - HALOGEN FREE PRODUCT IDENTIFICATION LOGO ON PACKAGING:
 - FOR LEAD-FREE PROCESS.
 - PRINTED DATE CODE "YYMMDD=" ON TOP OF CONNECTOR.



RECOMMENDED PCB LAYOUT
TOP VIEW ; TOL.±0.05



RECOMMENDED PLUG:
Ø3.5 4-POLES STANDARD PLUG TOL.±0.05



Audio Jack	Contact point condition			
	P1 contact point	P2 contact point	P3 contact point	P4 contact point
Spec.	1.5mm ±0.6	4.35mm ±0.6	7.35mm ±0.6	11.6mm ±0.6
Design value	1.72mm	3.93mm	6.84mm	11.74mm

K	MYLAR-2	1	KAPTON: 6.75*4.2*0.06T	YELLOW
J	MYLAR-1	1	KAPTON: 14.25*10.95*0.1T	BROWN
I	SHELL	1	C5210-EH 0.2t	Ni 60u"Min.
H	SEPARATOR	1	LCP+30%GF, E130i UL 94V-0	BLACK
G	MAKE TERMINAL	1	C5210-EH 0.2t	GOLD FLASH ON CONTACT AREA; GOLD FLASH ON SOLDER AREA; ALL OVER 50u" Ni.
F	TRANSFER TERMINAL	1	C5210-EH 0.2t	
E	TIP SPRING	1	C5210-EH 0.2t	
D	RING A	1	C5210-EH 0.2t	
C	RING B	1	C5210-EH 0.2t	
B	EARTH	1	C5210-EH 0.2t	
A	BODY	1	PA4T+30% GF (TX1) UL 94V-0	BLACK
NO	DESCRIPTION	QTY	MATERIAL	PLATING & COLOR

UNLESS OTHERWISE SPECIFIED TOLERANCES		Singatron Enterprise Co., Ltd. 信音企業股份有限公司	
DECIMALS:	ANGLES:	TITLE	
X :±0.5	X :±2°	3.5Ø PHONE JACK	
X.X :±0.3	X.X :±1°	DWN	Yulin
X.XX :±0.2		CHKD	Bruce
		APVD	Lussen
		SCALE	4:1
		UNIT:	mm
		SIZE:	A3
		SHEET:	1 OF 1
		REV:	A
CUSTOMER COPY			