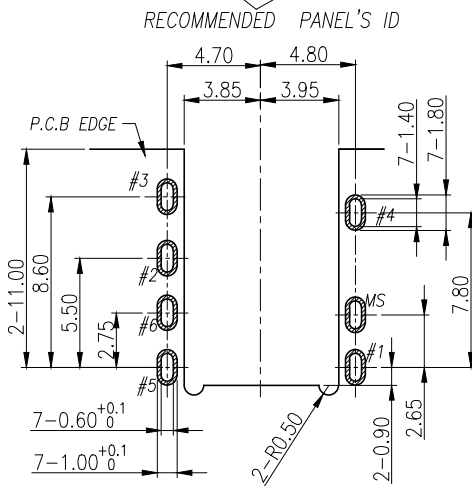
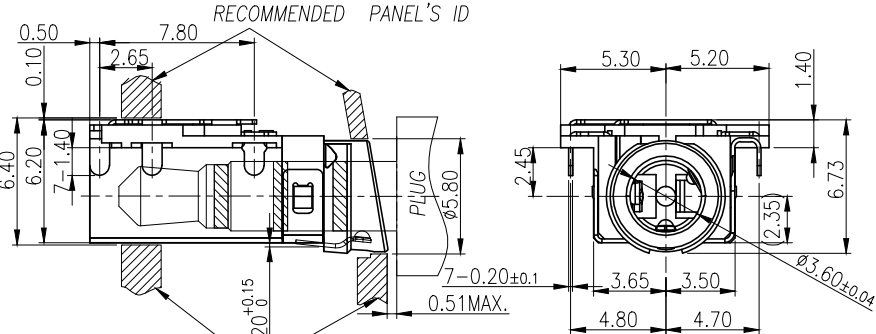
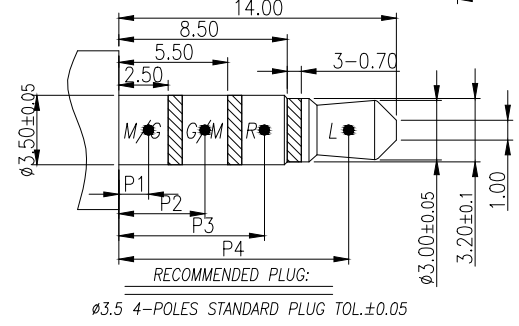
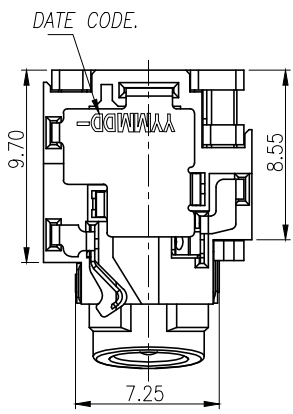
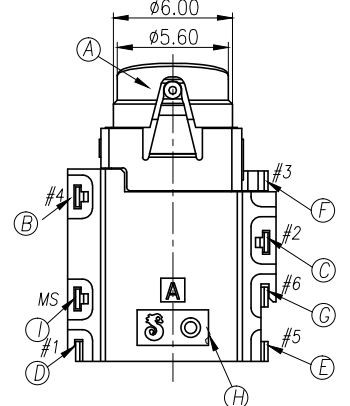
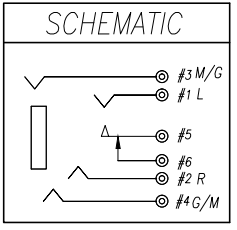


REV.	ECN NO OR DESCRIPTION	REVISED	DATE
A	PDR NO: T160218-3A	YULIN	2017.05.20



RECOMMENDED PCB LAYOUT
TOP VIEW ; TOL.±0.05



Audio Jack	Contact point condition			
	P1 contact point	P2 contact point	P3 contact point	P4 contact point
Spec.	1.5mm ±0.6	4.35mm ±0.6	7.35mm ±0.6	11.6mm ±0.6
Design value	1.81mm	3.93mm	6.89mm	11.81mm

SPECIFICATIONS:

- ELECTRICAL CHARACTERISTICS:
 - RATING: 12V 1A
 - CONTACT RESISTANCE: 50mΩ MAX.(INITIAL)
 - DIELECTRIC WITHSTANDING VOLTAGE: 500V AC FOR ONE MINUTE.
 - INSULATION RESISTANCE: 100MΩ MIN. MEASURED BY 500 VDC.
- MECHANICAL CHARACTERISTICS:
 - INSERTION FORCE: 0.8~3.0Kgf INITIAL ;
2.5 Kgf Max. After THE 2000th
0.3 Kgf Min. AFTER LIFE TEST;
 - WITHDRAWAL FORCE: 0.6~1.8Kgf INITIAL;
0.5 Kgf Min. After THE 2000th
0.3 Kgf Min. AFTER LIFE TEST;
- LIFE TEST: 5,000 CYCLES Min.
AFTER LIFE TEST, CONTACT RESISTANCE: 100mΩ MAX.
- PACKAGING : TAPE & REEL.
- AFTER HUMIDITY TEST, INSULATION RESISTANCE: 50MΩ MIN.
- OTHER GENERAL SPEC TO REFER "AUDIO JACK FOR 2SJ3095-121111FSPEC"
- TO CONFORM TO SINGATRON HAZARDOUS SUBSTANCE FREE SPEC.
- HALOGEN FREE PRODUCT IDENTIFICATION MARK ON PRODUCT:
- HALOGEN FREE PRODUCT IDENTIFICATION LOGO ON PACKAGING:
- FOR LEAD-FREE PROCESS.
- PRINTED DATE CODE "YYMMDD-" ON TOP OF CONNECTOR.

I	SHELL	1	BRASS 0.2t	Ni 60u"Min.
H	SEPARATOR	1	HIGH TEMP.THERMOPLASTIC UL 94V-0	BLACK
G	MAKE TERMINAL	1	PHOSPHOR BRONZE 0.2t	SOLD FLUSH ON CONTACT AREA & SOLDER AREA; ALL OVER 50u" Ni.
F	EARTH	1	PHOSPHOR BRONZE 0.2t	Pd/Ni 30u"Min&Au5u"Min ON CONTACT AREA; SOLD FLUSH ON SOLDER AREA; ALL OVER 50u" Ni.
E	TRANSFER TERMINAL	1	PHOSPHOR BRONZE 0.2t	SOLD FLUSH ON CONTACT AREA; Matte Sn120u" ON SOLDER AREA; ALL OVER 50u" Ni.
D	TIP SPRING	1	PHOSPHOR BRONZE 0.2t	Pd/Ni 30u"Min&Au5u"Min ON CONTACT AREA
C	RING A	1	PHOSPHOR BRONZE 0.2t	Matte Sn120u" ON SOLDER AREA;
B	RING B	1	PHOSPHOR BRONZE 0.2t	ALL OVER 50u" Ni.
A	BODY	1	HIGH TEMP.THERMOPLASTIC UL 94V-0	BLACK
NO	DESCRIPTION	QTY	MATERIAL	PLATING & COLOR

UNLESS OTHERWISE SPECIFIED TOLERANCES		Singatron Enterprise Co., Ltd. 信音企業股份有限公司	
DECIMALS:	ANGLES:	TITLE	
X :±0.5	X :±2°	3.5Ø PHONE JACK	
X.X :±0.3	X.X :±1°	DOWN Yulin	PART NO. 2SJ3095-121111F
X.XX :±0.2		CHKD Bruce	SCALE 4:1 UNIT: mm
		APVD Lussen	SIZE: A3 SHEET:1 OF 1 REV: A
CUSTOMER COPY			