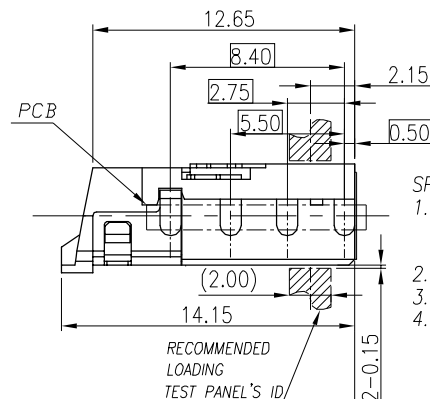
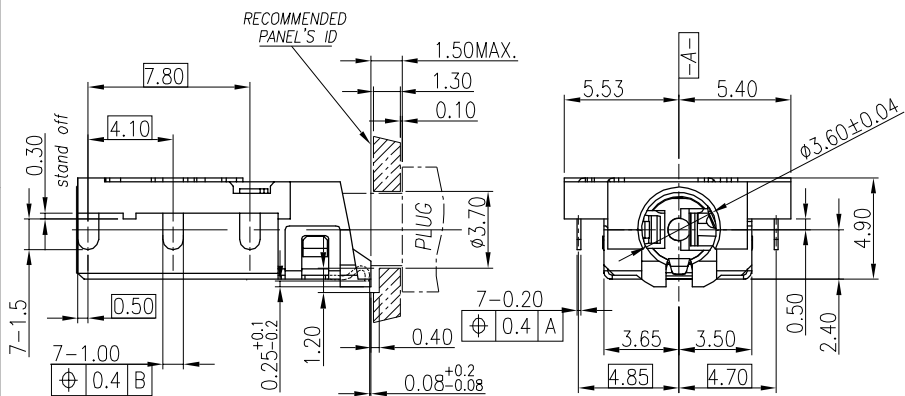
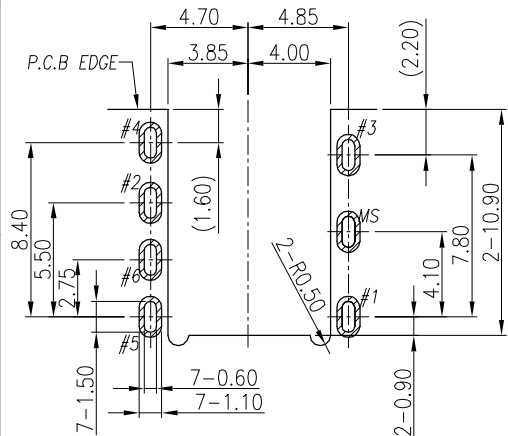


REV.	ECN NO OR DESCRIPTION	REVISED	DATE
A	PDR NO: T160223-12A	peng	2016.07.01

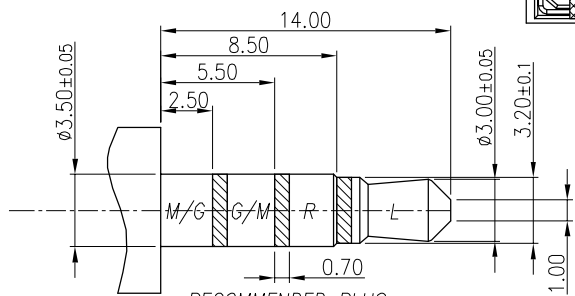
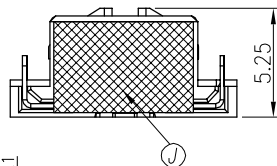
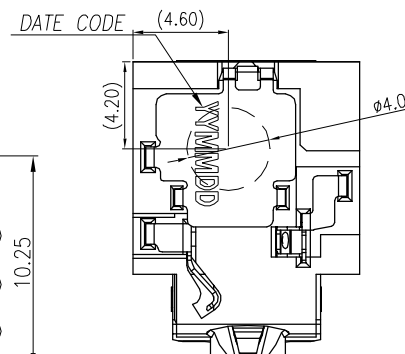
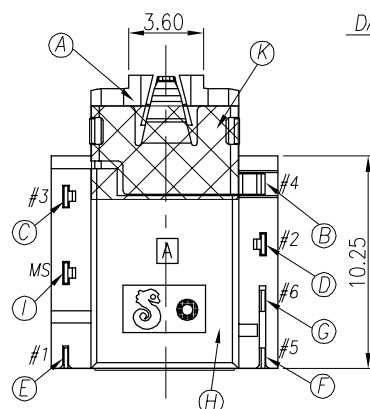


SPECIFICATIONS:

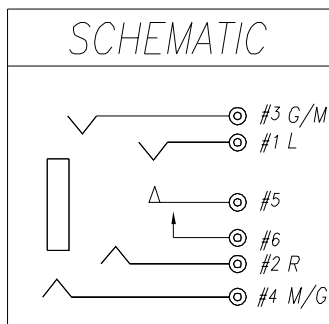
- INSULATION RESISTANCE BETWEEN ANY ADJACENT OPEN CIRCUIT TERMINAL SHELL NOT BE LESS THAN 100MΩ MEASURED BY 500 VDC .
- CONTACT RESISTANCE: 50mΩ MAX.
- INSULATION VOLTAGE WITHSTAND:500V AC FOR ONE MINUTE.
- UNLESS OTHERWISE SPECIFIED, TEST IS TO BE MADE AT 5-35°C IN TEMPERATURE AND 45-85% IN HUMIDITY. BUT,IF ANY VAGUE DATA IS OCCURED ON TEST RESULT, ANOTHER TEST SHALL BE MADE AT 20°C±2°C IN TEMP., 60-70% IN HUMIDITY.
- LIFE TEST: 5,000 CYCLES.
- INSERTION FORCE: 0.3 - 3.0Kg.
- WITHDRAWAL FORCE: 0.3 - 3.0Kg.
- AFTER TEST, CONTACT RESISTANCE: 120mΩ MAX.
- AFTER HUMIDITY TEST, INSULATION RESISTANCE: 50MΩ MIN.
- PACKING : TAPE & REEL.
- TO CONFORM TO SINGATRON HAZARDOUS SUBSTANCE FREE SPEC.
- HALOGEN FREE PRODUCT IDENTIFICATION MARK ON JACK:
- HALOGEN FREE PRODUCT IDENTIFICATION LABEL ON PACKAGING:



RECOMMENDED PCB LAYOUT
TOP VIEW ; TOL.±0.05



RECOMMENDED PLUG
Ø3.5 4-POLE STANDARD PLUG



K	MYLAR	1	KAPTON: 7.05*4.5*0.06T	YELLOW
J	MYLAR	1	KAPTON: 6.6*4.2*0.08T	BLACK
I	SHELL	1	COPPER ALLOY, 0.2t	Ni 60u"Min.
H	SEPARATOR	1	HIGH TEMP.THERMOPLASTIC UL 94V-0	BLACK
G	MAKE TERMINAL	1	COPPER ALLOY, 0.2t	GOLD FLASH ON CONTACT AREA; GOLD FLASH ON SOLDER AREA; ALL OVER 50u" Ni.
F	TRANSFER TERMINAL	1	COPPER ALLOY, 0.2t	GOLD FLASH ON CONTACT AREA; MATTE TIN 80u" ON SOLDER AREA; ALL OVER 50u" Ni.
E	TIP SPRING	1	COPPER ALLOY, 0.2t	
D	RING A	1	COPPER ALLOY, 0.2t	
C	RING B	1	COPPER ALLOY, 0.2t	
B	EARTH	1	COPPER ALLOY, 0.2t	
A	BODY	1	HIGH TEMP.THERMOPLASTIC UL 94V-0	BLACK
NO	DESCRIPTION	QTY	MATERIAL	PLATING & COLOR

UNLESS OTHERWISE SPECIFIED TOLERANCES

Singatron Enterprise Co., Ltd.
信音企業股份有限公司

DECIMALS: ANGLES:
X :±0.5 X :±2°
X.X :±0.3 X.X :±1°
X.XX :±0.2

TITLE	3.5Ø PHONE JACK		
DWN	Peng	PART NO. 2SJ3095-122111F	
CHKD	Bruce	SCALE 4:1	UNIT: mm
APVD	Lussen	SIZE: A3	SHEET:1 OF 1
REV:A			

CUSTOMER COPY