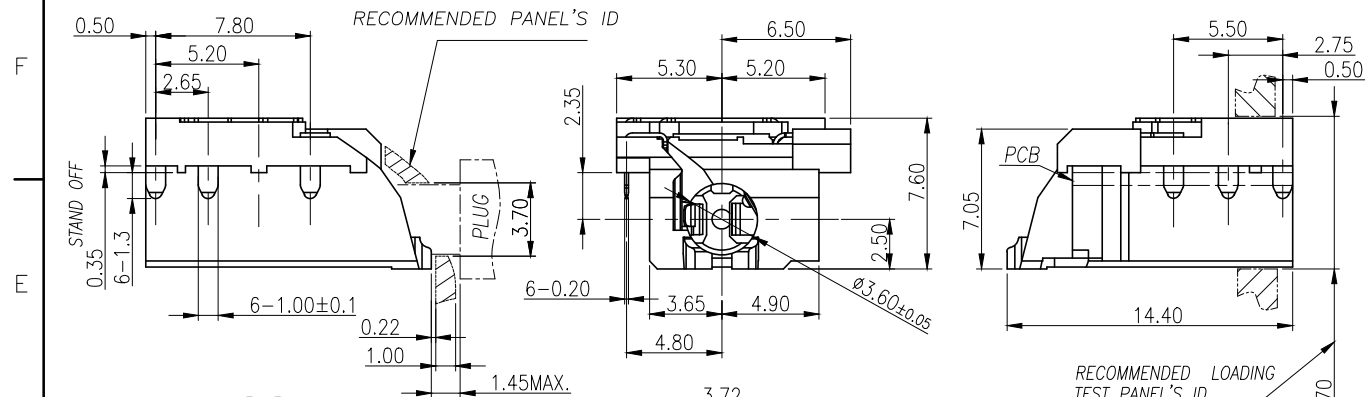
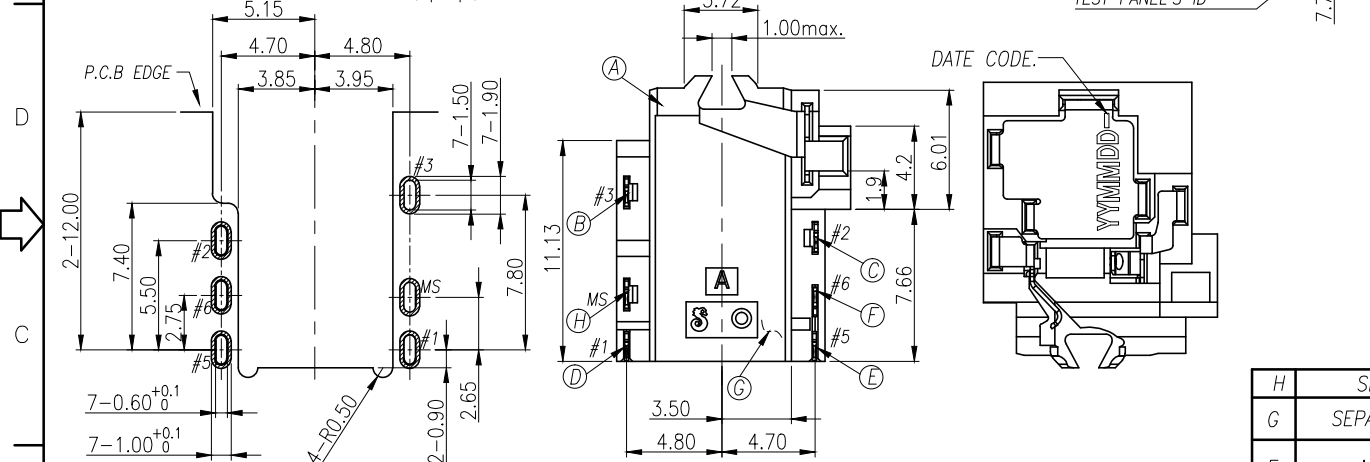


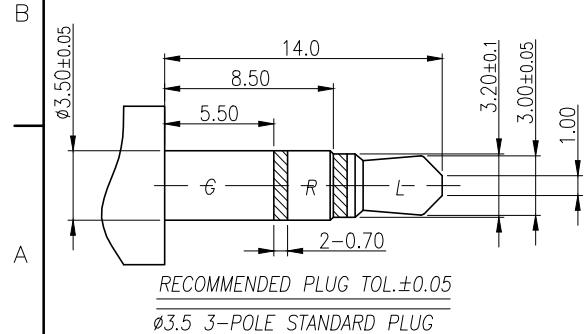
| | | | |
|------|-----------------------|---------|------------|
| REV. | ECN NO OR DESCRIPTION | REVISED | DATE |
| A | ECN NO: S180801-0 | Xinzhi | 2019.06.04 |



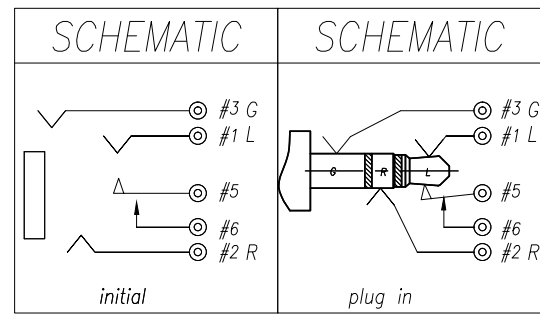
- SPECIFICATIONS:**
- INSULATION RESISTANCE BETWEEN ANY ADJACENT OPEN CIRCUIT TERMINAL SHELL NOT BE LESS THAN 100MΩ MEASURED BY 500 VDC .
 - CONTACT RESISTANCE: 50mΩ MAX.
 - INSULATION VOLTAGE WITHSTAND:500V AC FOR ONE MINUTE.
 - UNLESS OTHERWISE SPECIFIED, TEST IS TO BE MADE AT 5-35°C IN TEMPERATURE AND 45-85% IN HUMIDITY. BUT,IF ANY VAGUE DATA IS OCCURED ON TEST RESULT, ANOTHER TEST SHALL BE MADE AT 20°C±2°C IN TEMP., 60-70% IN HUMIDITY.
 - LIFE TEST: 5,000 CYCLES.
 - INSERTION FORCE: 0.5 - 3.0Kg.
 - WITHDRAWAL FORCE: 0.5 - 3.0Kg.
 - AFTER TEST, CONTACT RESISTANCE: 100mΩ MAX.
 - AFTER HUMIDITY TEST, INSULATION RESISTANCE: 50MΩ MIN.
 - MARKING: MARK "S" ON TOP OF CONNECTOR.
 - PACKING : TAPE & REEL.
 - TO CONFORM TO SINGATRON HAZARDOUS SUBSTANCE FREE SPEC.
 - HALOGEN FREE PRODUCT IDENTIFICATION MARK ON JACK:
 - HALOGEN FREE PRODUCT IDENTIFICATION LABEL ON PACKAGING:



RECOMMENDED PCB LAYOUT
TOP VIEW ; TOL.±0.05



RECOMMENDED PLUG TOL.±0.05
Ø3.5 3-POLE STANDARD PLUG



| H | SHELL | 1 | COPPER ALLOY 0.2t | Ni 60u"Min. |
|----|-------------|-----|----------------------------------|--|
| G | SEPARATOR | 1 | HIGH TEMP.THERMOPLASTIC UL 94V-0 | BLACK |
| F | MAKE | 1 | PHOSPHOR BRONZE 0.2t | GOLD FLASH ON CONTACT AREA; GOLD FLASH ON SOLDER AREA; ALL OVER 50u" Ni. |
| E | TRANSFER | 1 | PHOSPHOR BRONZE 0.2t | |
| D | TIP | 1 | PHOSPHOR BRONZE 0.2t | |
| C | RING-A | 1 | PHOSPHOR BRONZE 0.2t | GOLD FLASH ON CONTACT AREA; Matte Sn 80u" ON SOLDER AREA ALL OVER 50u" Ni. |
| B | RING-B | 1 | PHOSPHOR BRONZE 0.2t | |
| A | BODY | 1 | HIGH TEMP.THERMOPLASTIC UL 94V-0 | BLACK |
| NO | DESCRIPTION | QTY | MATERIAL | PLATING & COLOR |

| | | | |
|---------------------------------------|----------|--|----------------------------------|
| UNLESS OTHERWISE SPECIFIED TOLERANCES | | Singatron Enterprise Co., Ltd. 信音企業股份有限公司 | |
| DECIMALS: | ANGLES: | TITLE | |
| X :±0.5 | X :±2° | Ø3.50 AUDIO JACK | |
| X.X :±0.3 | X.X :±1° | DWN | Xinzhi PART NO. 2SJ3095-129111F |
| X.XX :±0.2 | | CHKD | Bruce SCALE 4:1 UNIT: mm |
| | | APVD | Liao SIZE: A3 SHEET:1 OF 1 REV:A |
| CUSTOMER COPY | | | |