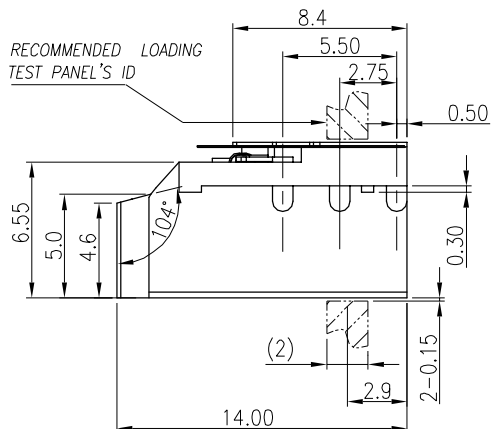
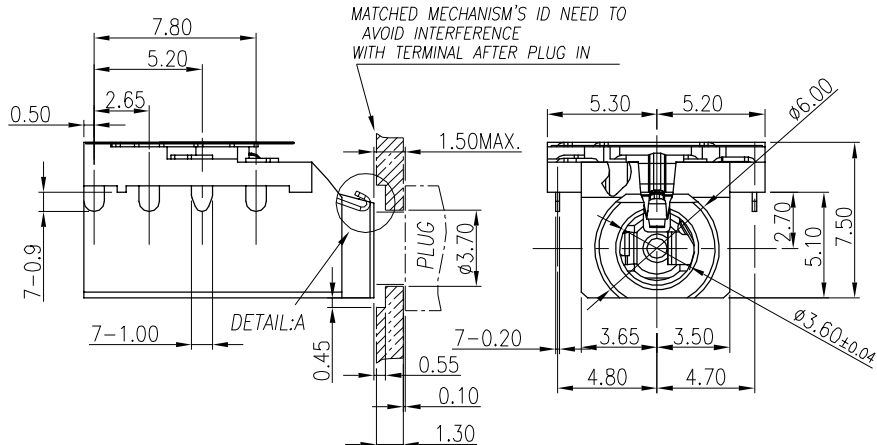
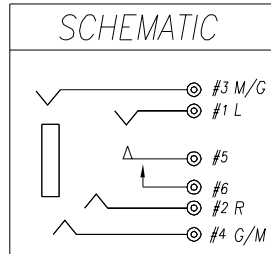
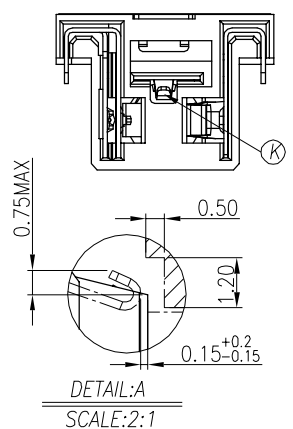
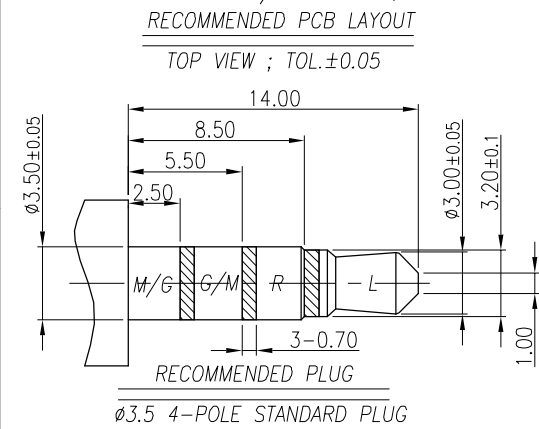
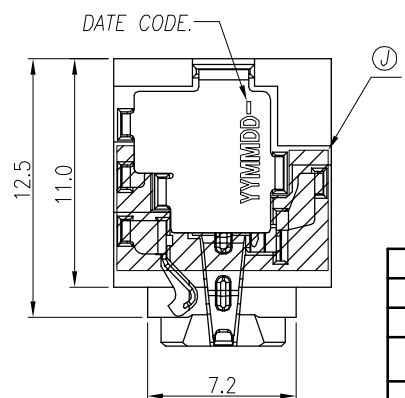
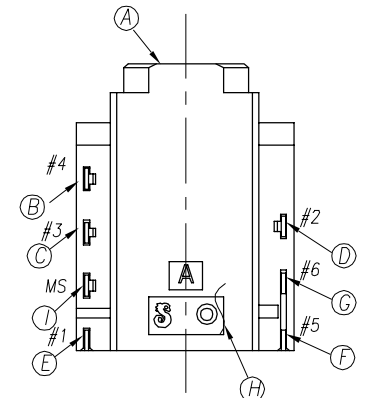
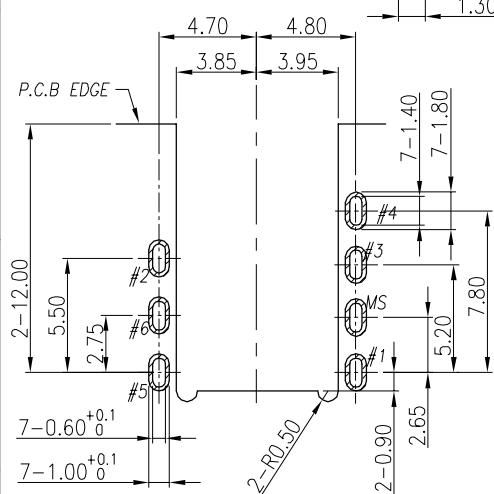


REV.	ECN NO OR DESCRIPTION	REVISED	DATE
A	PDR NO.: T160323-4A	Peng	2016.12.14



- SPECIFICATIONS:**
- INSULATION RESISTANCE BETWEEN ANY ADJACENT OPEN CIRCUIT TERMINAL SHELL NOT BE LESS THAN 100MΩ MEASURED BY 500V DC .
  - CONTACT RESISTANCE: 50mΩ MAX(INITIAL).
  - INSULATION VOLTAGE WITHSTAND:500V AC FOR ONE MINUTE.
  - LIFE TEST: 5,000 CYCLES.
  - INSERTION FORCE: 0.3-3.0Kgf ,
  - WITHDRAWAL FORCE: 0.3-3.0 Kgf,
  - AFTER LIFE TEST, CONTACT RESISTANCE: 100mΩ MAX.
  - AFTER HUMIDITY TEST, INSULATION RESISTANCE: 50MΩ MIN.
  - MARKING: MARK "S" ON TOP OF CONNECTOR.
  - PACKING : TAPE & REEL.
  - TO CONFORM TO SINGATRON HAZARDOUS SUBSTANCE FREE SPEC.
  - HALOGEN FREE PRODUCT IDENTIFICATION MARK ON PRODUCT:
  - HALOGEN FREE PRODUCT IDENTIFICATION LOGO ON PACKAGING:



K	DUMMY	1	STAINLESS STEEL,0.20T	Ni 60u"Min.
J	MYLAR	1	T=0.06	YELLOW
I	SHELL	1	COPPER ALLOY, 0.2t	Ni 60u"Min.
H	SEPARATOR	1	HIGH TEMP.THERMOPLASTIC UL 94V-0	BLACK
G	MAKE	1	COPPER ALLOY, 0.2t	GOLD FLASH ON CONTACT AREA; GOLD FLASH ON SOLDER AREA; ALL OVER 50u" Ni.
F	TRANSFER	1	COPPER ALLOY, 0.2t	GOLD FLASH ON CONTACT AREA;
E	TIP	1	COPPER ALLOY, 0.2t	Matte Sn 80u" ON SOLDER AREA;
D	RING-A	1	COPPER ALLOY, 0.2t	ALL OVER 50u" Ni.
C	EARTH	1	COPPER ALLOY, 0.2t	
B	RING-B	1	COPPER ALLOY, 0.2t	
A	BODY	1	PA4T-30% GF (TX1) UL 94V-0	BLACK
NO	DESCRIPTION	QTY	MATERIAL	PLATING & COLOR

UNLESS OTHERWISE SPECIFIED TOLERANCES		Singatron Enterprise Co., Ltd. 信音企業股份有限公司	
DECIMALS:	ANGLES:	TITLE	
X :±0.5	X :±2°	DWN	Peng
X.X :±0.3	X.X :±1°	CHKD	Bruce
X.XX :±0.2		APVD	Lussen
		SCALE 4:1	
		UNIT: mm	
		SIZE: A3	
		SHEET:1 OF 1	
		REV: A	
<b>CUSTOMER COPY</b>			