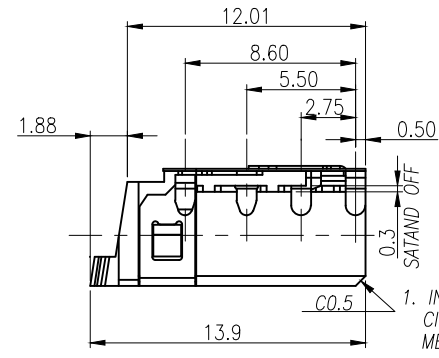
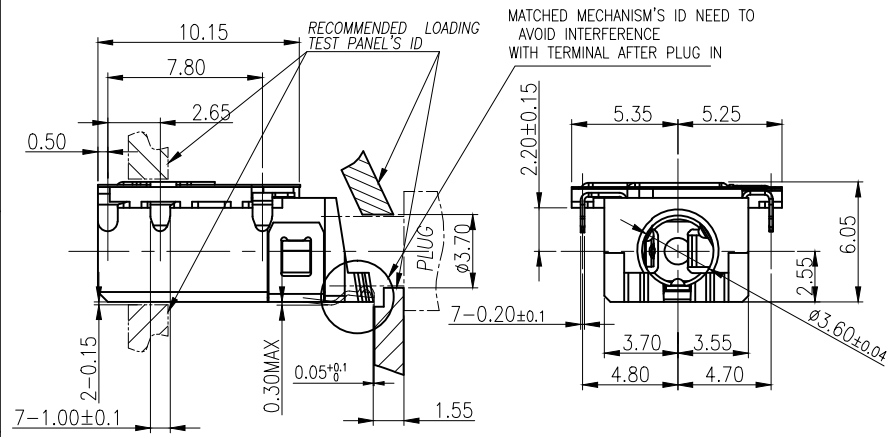
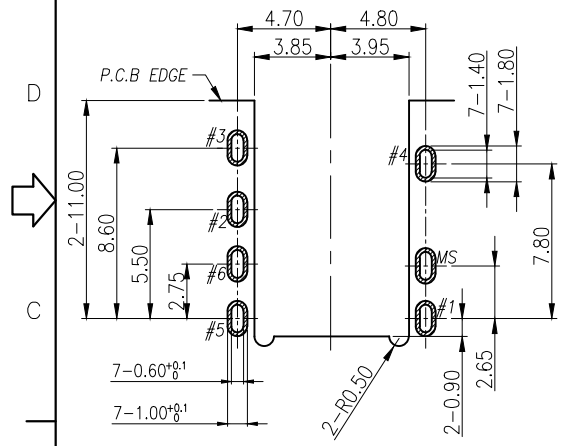


REV.	ECN NO OR DESCRIPTION	REVISED	DATE
A	PDR NO:T160815-2A	MARS	2017.05.26

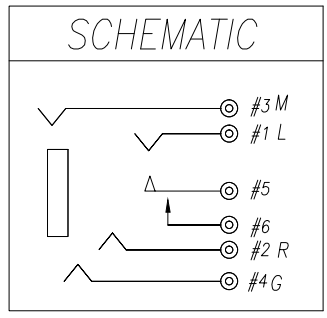
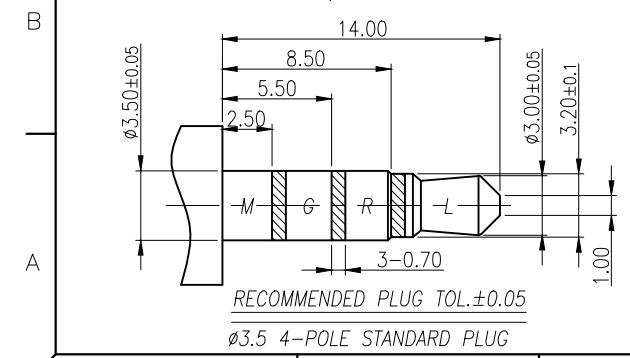
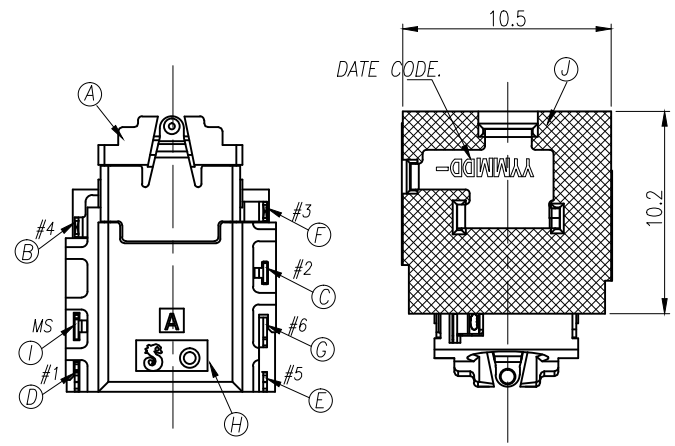


SPECIFICATIONS:

1. INSULATION RESISTANCE BETWEEN ANY ADJACENT OPEN CIRCUIT TERMINAL SHELL NOT BE LESS THAN 100MΩ MEASURED BY 500V DC .
2. CONTACT RESISTANCE: 50mΩ MAX(INITIAL).
3. INSULATION VOLTAGE WITHSTAND:500V AC FOR ONE MINUTE.
4. LIFE TEST: 5,000 CYCLES MIN.
5. INSERTION FORCE: 0.3-3.0 Kgf ,
6. WITHDRAWAL FORCE: 0.3-3.0 Kgf,
7. AFTER TEST, CONTACT RESISTANCE: 100mΩ MAX.
8. AFTER HUMIDITY TEST, INSULATION RESISTANCE: 50MΩ MIN.
9. MARKING: MARK "S" ON TOP OF CONNECTOR.
10. PACKING : TAPE & REEL.
11. TO CONFORM TO SINGATRON HAZARDOUS SUBSTANCE FREE SPEC.
12. HALOGEN FREE PRODUCT IDENTIFICATION MARK ON PRODUCT:
13. HALOGEN FREE PRODUCT IDENTIFICATION LOGO ON PACKAGING:



RECOMMENDED PCB LAYOUT
TOP VIEW ; TOL.±0.05



J	MYLAR	1	T=0.10*10.5*10.2	YELLOW
I	SHELL	1	BRASS 0.2t	Ni 60u"Min.
H	SEPARATOR	1	HIGH TEMP.THERMOPLASTIC UL 94V-0	BLACK
G	MAKE TERMINAL	1	PHOSPHOR BRONZE 0.2t	Au 1-3u" ON CONTACT AREA; Au 1-3u" ON SOLDER AREA; ALL OVER 50u" NI.
F	EARTH	1	PHOSPHOR BRONZE 0.2t	
E	TRANSFER TERMINAL	1	PHOSPHOR BRONZE 0.2t	
D	TIP SPRING	1	PHOSPHOR BRONZE 0.2t	Au 1-3u" ON CONTACT AREA; Matte Sn120u" ON SOLDER AREA ALL OVER 50u" NI.
C	RING A	1	PHOSPHOR BRONZE 0.2t	
B	RING B	1	PHOSPHOR BRONZE 0.2t	
A	BODY	1	HIGH TEMP.THERMOPLASTIC UL 94V-0	BLACK
NO	DESCRIPTION	QTY	MATERIAL	PLATING & COLOR

UNLESS OTHERWISE SPECIFIED TOLERANCES		Singatron Enterprise Co., Ltd. 信管企業股份有限公司	
DECIMALS:	ANGLES:	TITLE	
X :±0.5	X :±2°	3.5Ø AUDIO JACK	
X.X :±0.3	X.X :±1°	DWN	MARS
X.XX :±0.2		CHKD	BRUCE
		APVD	LUSSEN
		PART NO. 2SJ3095-145111F SCALE 4:1 UNIT: mm SIZE: A3 SHEET:1 OF 1 REV: A	
		CUSTOMER COPY	