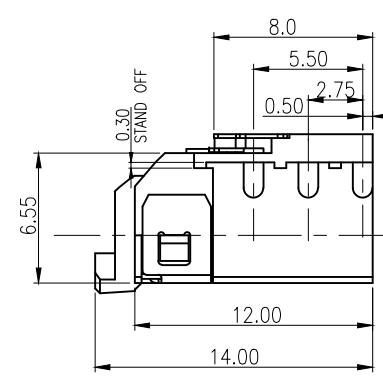
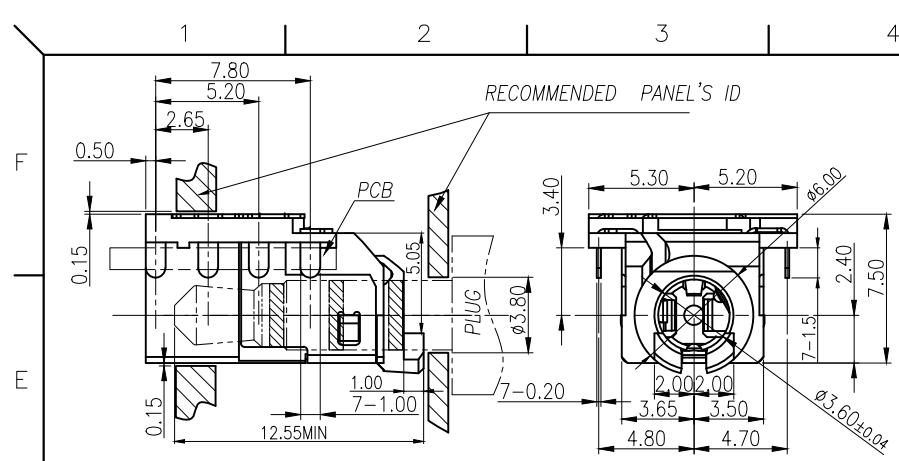
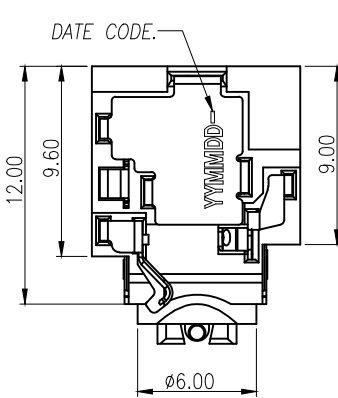
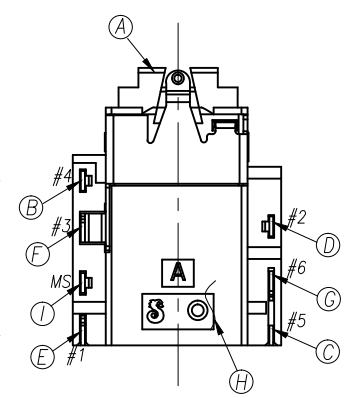
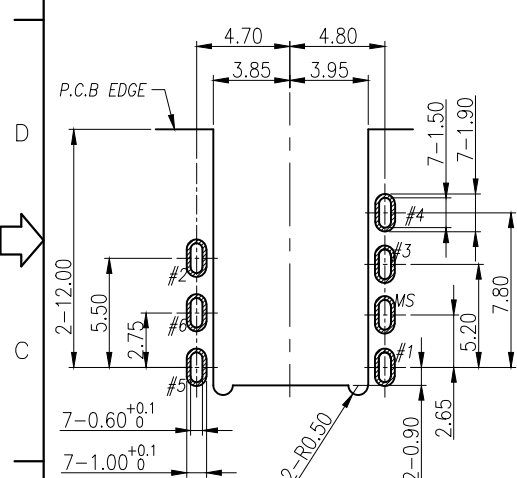


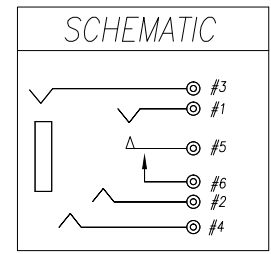
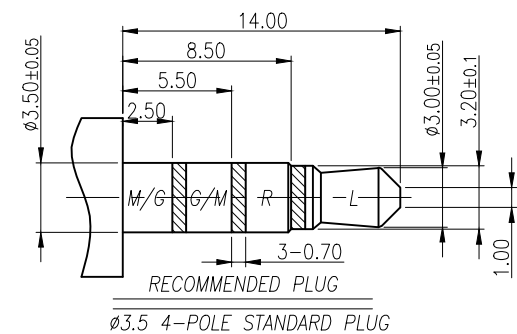
REV.	ECN NO OR DESCRIPTION	REVISED	DATE
A	PDR NO:T161007-4A	MARS	2017.05.16



- SPECIFICATIONS:
- INSULATION RESISTANCE BETWEEN ANY ADJACENT OPEN CIRCUIT TERMINAL SHELL NOT BE LESS THAN 100MΩ MEASURED BY 500 VDC.
 - CONTACT RESISTANCE: 50mΩ MAX(INITIAL).
 - INSULATION VOLTAGE WITHSTAND: 500V AC FOR ONE MINUTE.
 - UNLESS OTHERWISE SPECIFIED, TEST IS TO BE MADE AT 5-35°C IN TEMPERATURE AND 45-85% IN HUMIDITY. BUT, IF ANY VAGUE DATA IS OCCURED ON TEST RESULT, ANOTHER TEST SHALL BE MADE AT 20°C±2°C IN TEMP., 60-70% IN HUMIDITY.
 - LIFE TEST 2,000 TIMES:
INITIAL: INSERTION FORCE 0.8~3.0Kgf
WITHDRAWAL FORCE 0.6~1.8Kgf
FINAL: INSERTION FORCE 2.5Kgf Max
WITHDRAWAL FORCE 0.5Kgf Min
 - AFTER LIFE TEST 5,000 TIMES:
INSERTION FORCE 0.3~3.0Kgf
WITHDRAWAL FORCE 0.3~3.0Kgf
 - AFTER LIFE TEST, CONTACT RESISTANCE: 100mΩ MAX.
 - AFTER HUMIDITY TEST, INSULATION RESISTANCE: 50MΩ MIN.
 - MARKING: MARK "S" ON TOP OF CONNECTOR.
 - PACKING : TAPE & REEL.
 - TO CONFORM TO SINGATRON HAZARDOUS SUBSTANCE FREE SPEC.
 - HALOGEN FREE PRODUCT IDENTIFICATION MARK ON PRODUCT:
 - HALOGEN FREE PRODUCT IDENTIFICATION LOGO ON PACKAGING:



RECOMMENDED PCB LAYOUT
TOP VIEW ; TOL.±0.05



J	DUMMY	1	STAINLESS STEEL, 0.2t	Ni 60u"Min.
I	SHELL	1	COPPER ALLOY, 0.2t	Ni 60u"Min.
H	SEPARATOR	1	HIGH TEMP.THERMOPLASTIC UL 94V-0	BLACK
G	MAKE TERMINAL	1	COPPER ALLOY, 0.2t	GOLD FLASH ON CONTACT AREA; GOLD FLASH ON SOLDER AREA; ALL OVER 50u" Ni.
F	EARTH	1	COPPER ALLOY, 0.2t	GOLD FLASH ON CONTACT AREA; MATTE TIN 120 u" ON SOLDER TAIL; ALL OVER 50u" Ni.
E	TIP SPRING	1	COPPER ALLOY, 0.2t	
D	RING-A	1	COPPER ALLOY, 0.2t	
C	TRANSFER TERMINAL	1	C5210-EH ,0.2T	
B	RING-B	1	COPPER ALLOY, 0.2t	
A	BODY	1	HIGH TEMP.THERMOPLASTIC UL 94V-0	BLACK
NO	DESCRIPTION	QTY	MATERIAL	PLATING & COLOR

UNLESS OTHERWISE SPECIFIED TOLERANCES

DECIMALS: X :±0.5 X.X :±0.3 X.XX :±0.2

ANGLES: X :±2° X.X :±1°

Singatron Enterprise Co., Ltd. 信音企業股份有限公司			
TITLE: Ø3.50 AUDIO JACK			
DWN	MARS	PART NO. 2SJ3095-149111F	
CHKD	BRUCE	SCALE 4:1	UNIT: mm
APVD	LUSSEN	SIZE: A3	SHEET: 1 OF 1
REV: A			
CUSTOMER COPY			