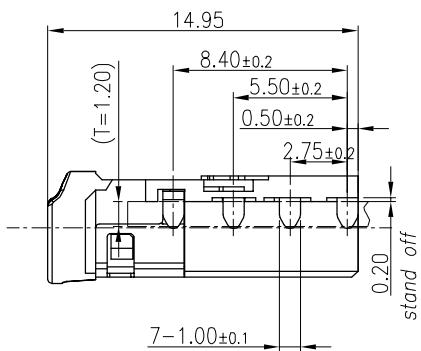
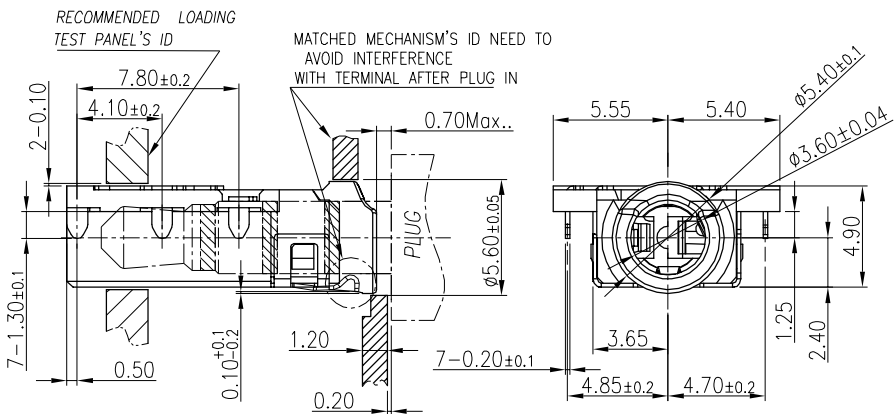


REV.	ECN NO OR DESCRIPTION	REVISED	DATE
A	PDR NO: T161019-1A	Peng	2017.03.20



SPECIFICATIONS:

1. ELECTRICAL CHARACTERISTICS:

- 1-1. RATING: 12V 1A
- 1-2. CONTACT RESISTANCE: 50mΩ MAX.(INITIAL)
- 1-3. DIELECTRIC WITHSTANDING VOLTAGE: 500V AC FOR ONE MINUTE.
- 1-4. INSULATION RESISTANCE: 100MΩ MIN. MEASURED BY 500 VDC.

2. MECHANICAL CHARACTERISTICS:

- 2-1. INSERTION FORCE: 0.5~2.2Kgf AFTER THE FIFTH TIME;
0.4~2.2Kgf AFTER LIFE TEST;
- 2-2. WITHDRAWAL FORCE: 0.5~2.0Kgf AFTER THE FIFTH TIME;
0.4~2.0Kgf AFTER LIFE TEST;

3. LIFE TEST: 5,000 CYCLES MIN.

AFTER LIFE TEST, CONTACT RESISTANCE: 100mΩ MAX.

4. PACKAGING : TAPE & REEL.

5. AFTER HUMIDITY TEST, INSULATION RESISTANCE: 50MΩ MIN.

6. OTHER GENERAL SPEC TO REFER "AUDIO JACK FOR ASUS SPEC"

7. TO CONFORM TO SINGATRON HAZARDOUS SUBSTANCE FREE SPEC.

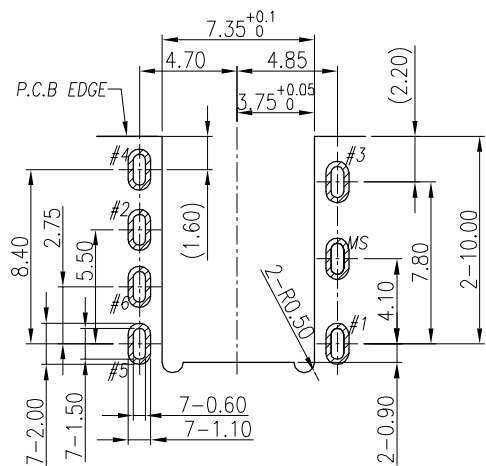
8. HALOGEN FREE PRODUCT IDENTIFICATION MARK ON PRODUCT:

9. HALOGEN FREE PRODUCT IDENTIFICATION LOGO ON PACKAGING:

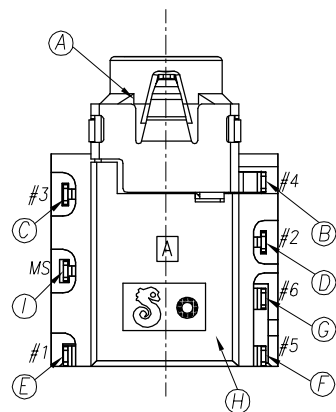
10. FOR LEAD-FREE PROCESS.

11. PRINTED DATE CODE "YYMMDD-" ON TOP OF CONNECTOR.

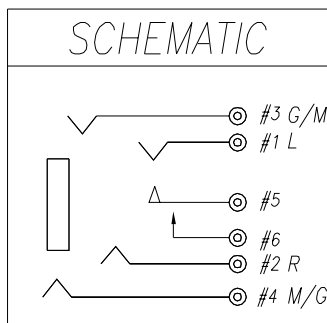
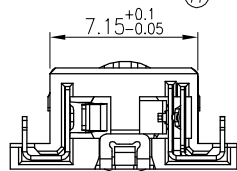
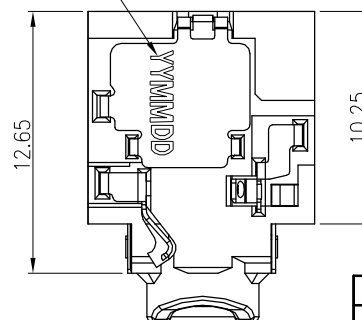
12. OVERLOADING FORCE < 4KGF



RECOMMENDED PCB LAYOUT
TOP VIEW ; TOL.±0.05



DATE CODE



I	SHELL	1	C5210-EH, 0.2T	Ni 60u"Min.
H	SEPARATOR	1	LCP E1301 30%GF BLACK UL 94V-0	BLACK
G	MAKE TERMINAL	1	C5210-EH, 0.2T	GOLD FLASH ON CONTACT AREA; GOLD FLASH ON SOLDER AREA; ALL OVER 50u" Ni.
F	TRANSFER TERMINAL	1	C5210-EH, 0.2T	GOLD FLASH ON CONTACT AREA; GOLD FLASH ON SOLDER AREA; ALL OVER 50u" Ni.
E	TIP SPRING	1	C5210-EH, 0.2T	
D	RING A	1	C5210-EH, 0.2T	
C	RING B	1	C5210-EH, 0.2T	
B	EARTH	1	C5210-EH, 0.2T	
A	BODY	1	PA4T+30%GF TX1 UL 94V-0	BLACK
NO	DESCRIPTION	QTY	MATERIAL	PLATING & COLOR

UNLESS OTHERWISE SPECIFIED TOLERANCES

Singatron Enterprise Co., Ltd.
信音企業股份有限公司

DECIMALS: ANGLES:
X :±0.5 X :±2°
X.X :±0.3 X.X :±1°
X.XX :±0.2

TITLE	3.5Φ PHONE JACK			
DWN	PENG	PART NO. 2SJ3095-151111F		
CHKD	BRUCE	SCALE 4:1	UNIT: mm	④
APVD	LUSSEN	SIZE: A3	SHEET: 1 OF 1	REV: A

CUSTOMER COPY