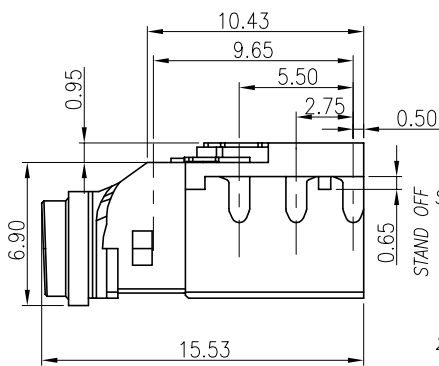
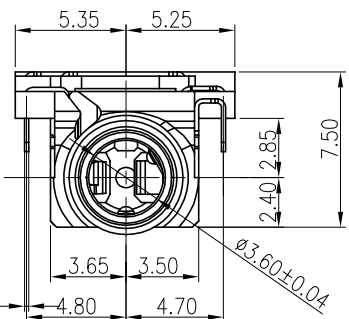
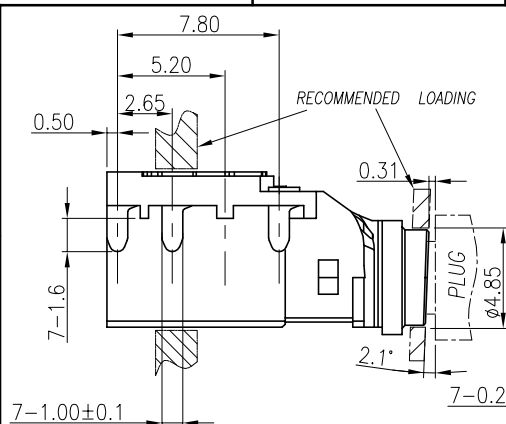
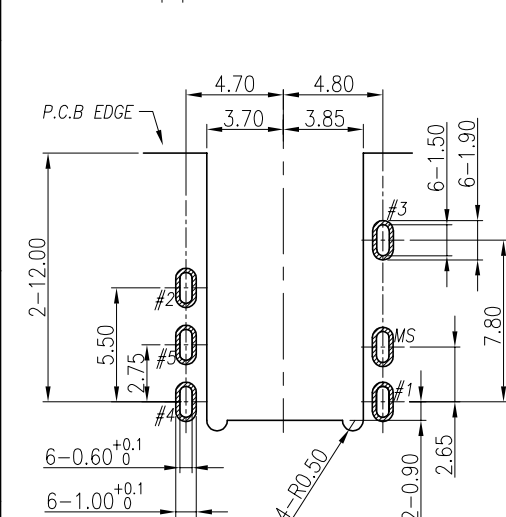


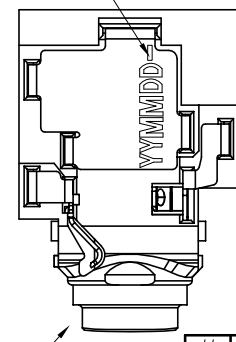
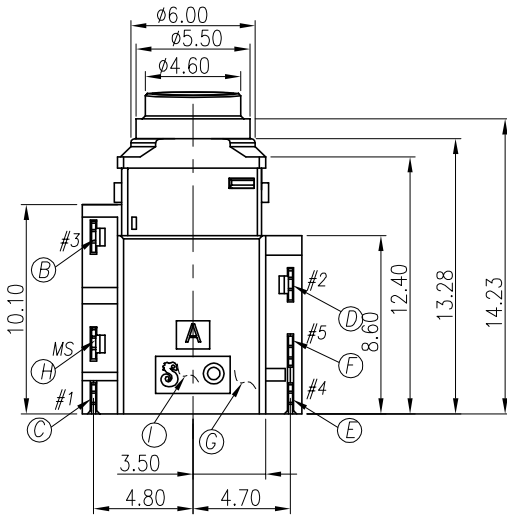
REV.	ECN NO OR DESCRIPTION	REVISED	DATE
A	PDR NO:T161110-2A&2B	Bruce	2017.04.05



- SPECIFICATIONS:
- ELECTRICAL CHARACTERISTICS:
 - 1-1. RATING: 12V 1A
 - 1-2. CONTACT RESISTANCE: 50mΩ MAX.(INITIAL)
 - 1-3. DIELECTRIC WITHSTANDING VOLTAGE: 500V AC FOR ONE MINUTE.
 - 1-4. INSULATION RESISTANCE: 100MΩ MIN. MEASURED BY 500 VDC.
 - MECHANICAL CHARACTERISTICS:
 - 2-1. INSERTION FORCE: INITIAL 0.8-3.0Kgf, AFTER LIFE TEST:2.5Kgf Max.
 - 2-2. WITHDRAWAL FORCE: INITIAL 0.6-1.8Kgf, AFTER LIFE TEST:0.5Kgf Min.
 - LIFE TEST: 2,000 CYCLES MIN.
AFTER LIFE TEST, CONTACT RESISTANCE: 100mΩ MAX.
 - PACKAGING : TAPE & REEL.
 - AFTER HUMIDITY TEST, INSULATION RESISTANCE: 50MΩ MIN.
 - TO CONFORM TO SINGATRON HAZARDOUS SUBSTANCE FREE SPEC.
 - HALOGEN FREE PRODUCT IDENTIFICATION MARK ON PRODUCT:
 - HALOGEN FREE PRODUCT IDENTIFICATION LOGO ON PACKAGING:
 - FOR REFLOW SOLDERING LEAD-FREE PROCESS.



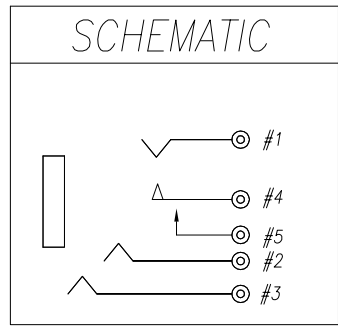
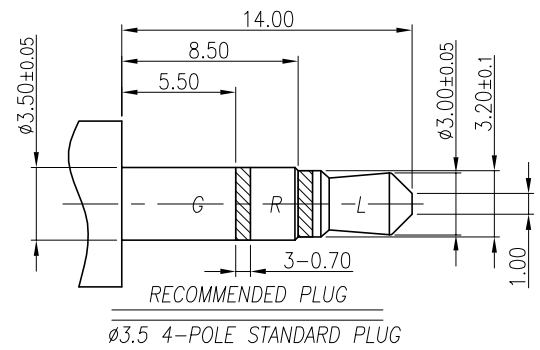
RECOMMENDED PCB LAYOUT
TOP VIEW ; TOL.±0.05



"SEE TABLE"

PART NO	PLATING
2SJ3095-154111F	GOLD FLASH
2SJ3095-154211F	Au30u"

NO	DESCRIPTION	QTY	MATERIAL	PLATING & COLOR
H	SHELL	1	C2680,0.20T	Ni 60u"Min.
G	SEPARATOR	1	LCP ,UL94-V0	BLACK
F	MAKE	1	C5210, 0.2T	GOLD FLASH ON CONTACT AREA; GOLD FLASH ON SOLDER AREA; ALL OVER 50u" Ni.
E	TRANSFER	1	C5210, 0.2T	
D	RING	1	C5210, 0.2T	
C	TIP	1	C5210, 0.2T	"SEE TABLE" ON CONTACT AREA; Matte Sn 80u" ON SOLDER AREA ALL OVER 50u" Ni.
B	EARTH	1	C5210, 0.2T	
A	BODY	1	PA4T+30%GF UL 94V-0	BLACK



NO	DESCRIPTION	QTY	MATERIAL	PLATING & COLOR
UNLESS OTHERWISE SPECIFIED TOLERANCES		Singatron Enterprise Co., Ltd. 信音企業股份有限公司		
DECIMALS:		TITLE		
X	:±0.5	3.5ø PHONE JACK		
X.X	:±0.3	DWN	Bruce	PART NO. 2SJ3095-154X11F
X.XX	:±0.2	CHKD	Sky	SCALE 4:1 UNIT: mm
		APVD	Lussen	SIZE: A3 SHEET:1 OF 1 REV: A
CUSTOMER COPY				