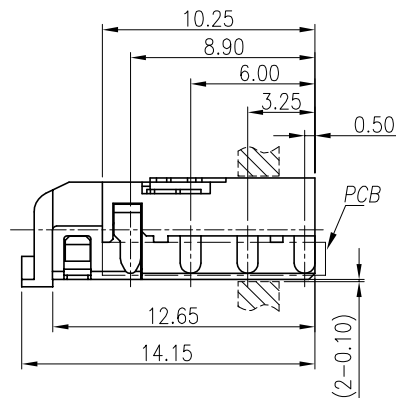
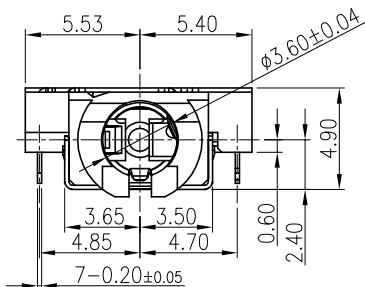
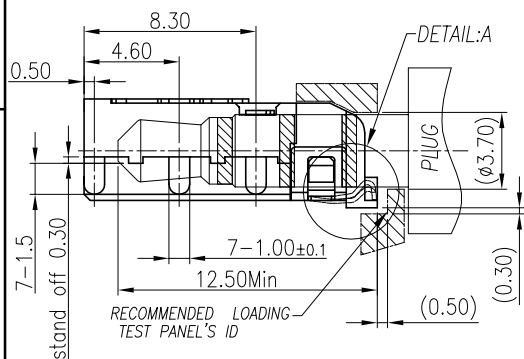
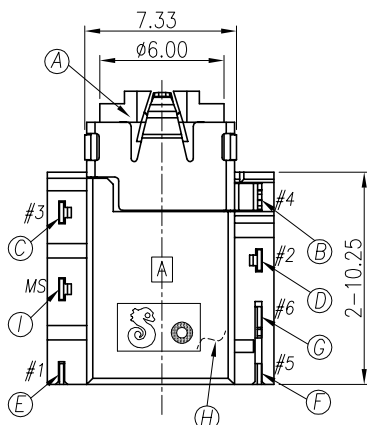
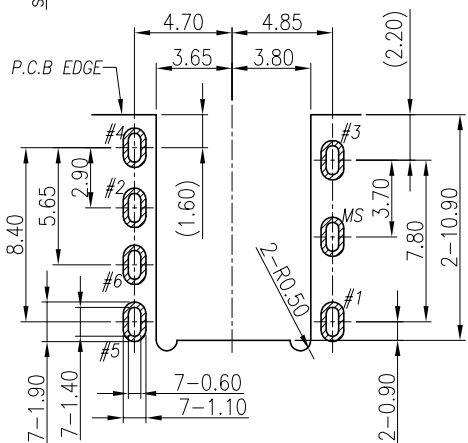


REV.	ECN NO OR DESCRIPTION	REVISED	DATE
A	PDR NO: T161202-6A	Julia	2018.2.8

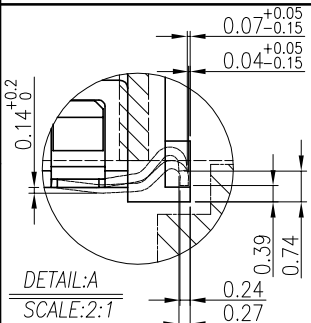
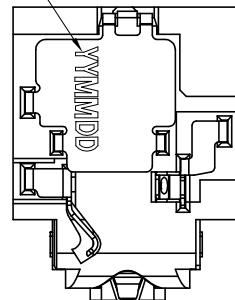


SPECIFICATIONS:

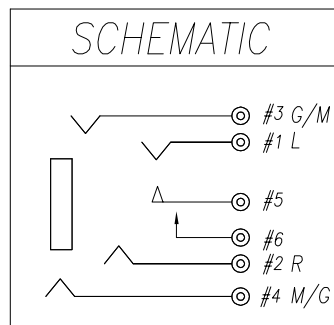
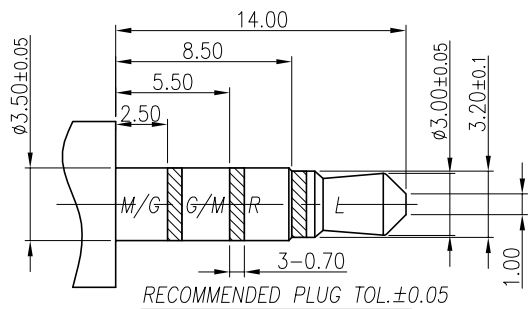
- INSULATION RESISTANCE BETWEEN ANY ADJACENT OPEN CIRCUIT TERMINAL SHELL NOT BE LESS THAN 100MΩ MEASURED BY 500 VDC .
- CONTACT RESISTANCE: 50mΩ MAX.
- INSULATION VOLTAGE WITHSTAND:500V AC FOR ONE MINUTE.
- UNLESS OTHERWISE SPECIFIED. TEST IS TO BE MADE AT 5-35°C IN TEMPERATURE AND 45-85% IN HUMIDITY. BUT,IF ANY VAGUE DATA IS OCCURED ON TEST RESULT, ANOTHER TEST SHALL BE MADE AT 20°C±2°C IN TEMP., 60-70% IN HUMIDITY.
- LIFE TEST: 5,000 CYCLES.
- INSERTION FORCE: 0.3 - 3.0Kg.
- WITHDRAWAL FORCE: 0.3 - 3.0Kg.
- AFTER TEST, CONTACT RESISTANCE: 100mΩ MAX.
- AFTER HUMIDITY TEST, INSULATION RESISTANCE: 50MΩ MIN.
- MARKING: MARK "S" ON TOP OF CONNECTOR.
- PACKING : TAPE & REEL.
- TO CONFORM TO SINGATRON HAZARDOUS SUBSTANCE FREE SPEC.
- HALOGEN FREE PRODUCT IDENTIFICATION MARK ON JACK:
- HALOGEN FREE PRODUCT IDENTIFICATION LABEL ON PACKAGING:



DATE CODE



PRODUCT APPLICATION:
THE SPRING WORKING
POSITION WHEN PLUG-IN



NO	DESCRIPTION	QTY	MATERIAL	PLATING & COLOR
I	SHELL	1	C5210-EH, 0.2t	Ni 60u"Min.
H	SEPARATOR	1	LCP+30%GF,UL 94V-0	BLACK
G	MAKE TERMINAL	1	C5210-EH, 0.2t	GOLD FLASH ON CONTACT AREA; GOLD FLASH ON SOLDER AREA; ALL OVER 50u" Ni.
F	TRANSFER TERMINAL	1	C5210-EH, 0.2t	GOLD FLASH ON CONTACT AREA; MATTE TIN 80u" ON SOLDER AREA; ALL OVER 50u" Ni.
E	TIP SPRING	1	C5210-EH, 0.2t	Au 30u" ON CONTACT AREA; MATTE TIN 80u" ON SOLDER AREA; ALL OVER 50u" Ni.
D	RING A	1	C5210-EH, 0.2t	
C	RING B	1	C5210-EH, 0.2t	
B	EARTH	1	C5210-EH, 0.2t	
A	BODY	1	PA4T+30%GF,UL 94V-0	BLACK

UNLESS OTHERWISE SPECIFIED TOLERANCES

Singatron Enterprise Co., Ltd.
信音企業股份有限公司

DECIMALS:	ANGLES:	TITLE	3.5φ PHONE JACK		
X :±0.5	X :±2°	DWN Julia	PART NO. 2SJ3095-156211F		
X.X :±0.3	X.X :±1°	CHKD Bruce	SCALE 4:1	UNIT: mm	
X.XX :±0.2		APVD Lussen	SIZE: A3	SHEET:1 OF 1	REV: A

CUSTOMER COPY