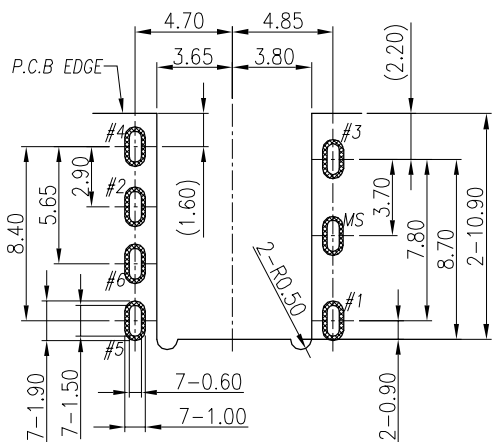
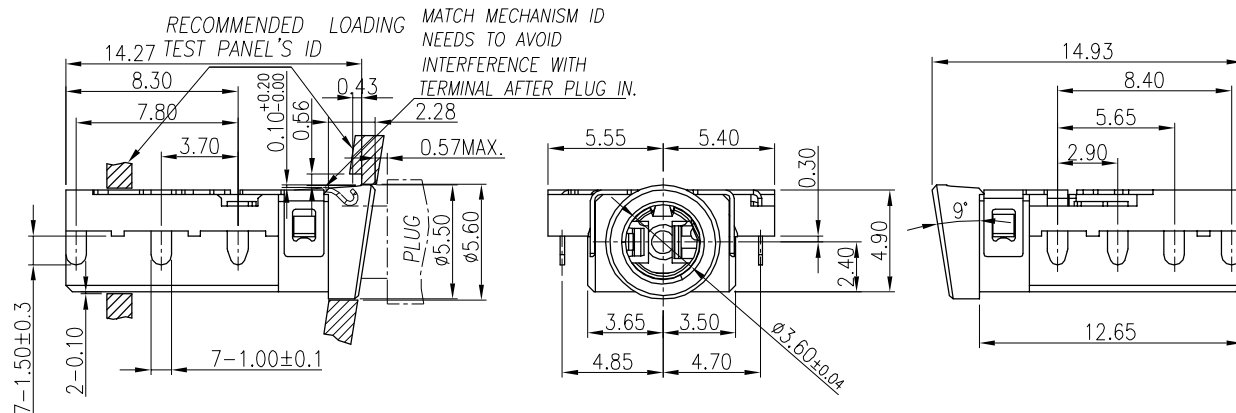
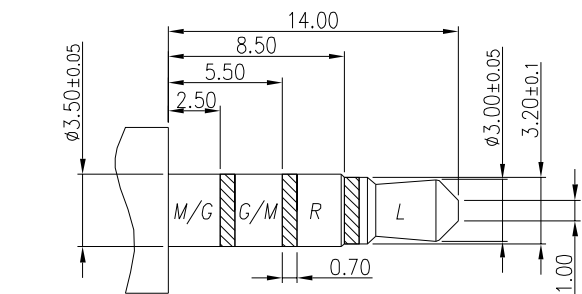
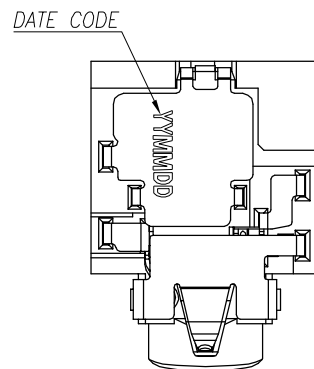
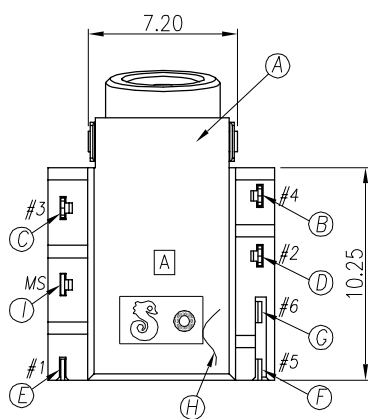


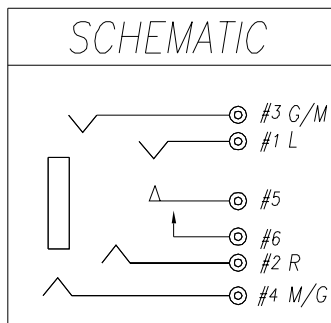
| | | | |
|------|-----------------------|---------|------------|
| REV. | ECN NO OR DESCRIPTION | REVISED | DATE |
| A | PDR NO: S170418-7A | Qing | 2017.11.27 |



RECOMMENDED PCB LAYOUT
TOP VIEW ; TOL.±0.05



RECOMMENDED PLUG
Ø3.5 4-POLE PLUG, TOL.±0.05



SPECIFICATIONS:

- INSULATION RESISTANCE BETWEEN ANY ADJACENT OPEN CIRCUIT TERMINAL SHELL NOT BE LESS THAN 100MΩ MEASURED BY 500V DC .
- CONTACT RESISTANCE: 50mΩ MAX(INITIAL).
- INSULATION VOLTAGE WITHSTAND:500V AC FOR ONE MINUTE.
- LIFE TEST: 5,000 CYCLES.
- INSERTION FORCE: 0.3-3.0Kgf ,
- WITHDRAWAL FORCE: 0.4-3.0 Kgf,
- AFTER LIFE TEST, CONTACT RESISTANCE: 120mΩ MAX.
- AFTER HUMIDITY TEST, INSULATION RESISTANCE: 50MΩ MIN.
- MARKING: MARK "S" ON TOP OF CONNECTOR.
- PACKING : TAPE & REEL.
- TO CONFORM TO SINGATRON HAZARDOUS SUBSTANCE FREE SPEC.
- HALOGEN FREE PRODUCT IDENTIFICATION MARK ON PRODUCT:
- HALOGEN FREE PRODUCT IDENTIFICATION LOGO ON PACKAGING:

| NO | DESCRIPTION | QTY | MATERIAL | PLATING & COLOR |
|----|-------------------|-----|----------------------------------|---|
| I | SHELL | 1 | PHOSPHOR BRONZE 0.2t | Ni 60u"Min. |
| H | SEPARATOR | 1 | HIGH TEMP.THERMOPLASTIC UL 94V-0 | BLACK |
| G | MAKE TERMINAL | 1 | PHOSPHOR BRONZE 0.2t | GOLD FLASH ON CONTACT AREA; GOLD FLASH ON SOLDER AREA; ALL OVER 50u" Ni. |
| F | TRANSFER TERMINAL | 1 | PHOSPHOR BRONZE 0.2t | GOLD FLASH ON CONTACT AREA; Matte Sn120u" ON SOLDER AREA; ALL OVER 50u" Ni. |
| E | TIP SPRING | 1 | PHOSPHOR BRONZE 0.2t | Au 5u" ON CONTACT AREA; |
| D | RING A | 1 | PHOSPHOR BRONZE 0.2t | Matte Sn120u" ON SOLDER AREA; |
| C | RING B | 1 | PHOSPHOR BRONZE 0.2t | ALL OVER 50u" Ni. |
| B | EARTH | 1 | PHOSPHOR BRONZE 0.2t | |
| A | BODY | 1 | HIGH TEMP.THERMOPLASTIC UL 94V-0 | BLACK |

| | | | |
|---------------------------------------|----------|--|--------|
| UNLESS OTHERWISE SPECIFIED TOLERANCES | | Singatron Enterprise Co., Ltd. 信音企業股份有限公司 | |
| DECIMALS: | ANGLES: | TITLE | |
| X :±0.5 | X :±2° | DWN | Qing |
| X.X :±0.3 | X.X :±1° | CHKD | Bruce |
| X.XX :±0.2 | | APVD | Lussen |
| | | 3.5Ø PHONE JACK | |
| | | PART NO. 2SJ3095-161111F | |
| | | SCALE | 4:1 |
| | | UNIT | mm |
| | | SIZE | A3 |
| | | SHEET | 1 OF 1 |
| | | REV | A |
| CUSTOMER COPY | | | |