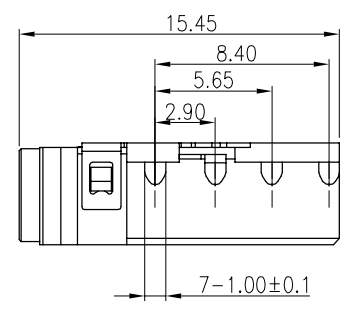
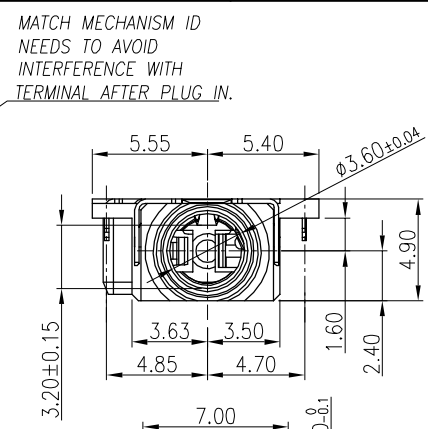
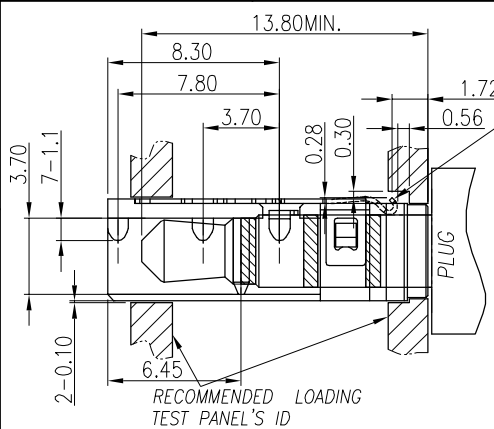
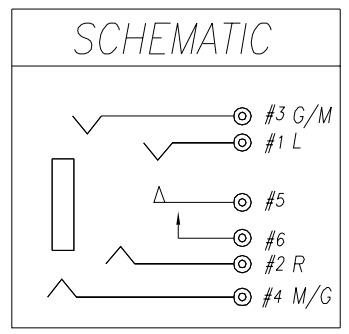
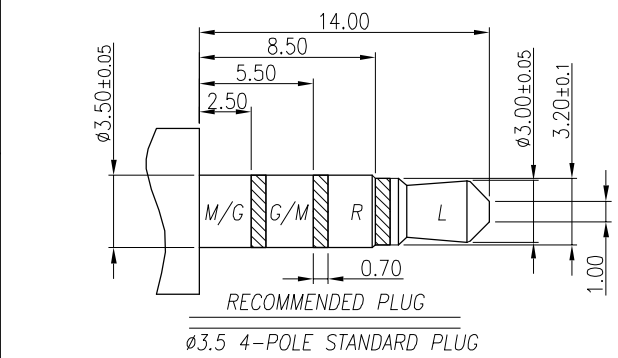
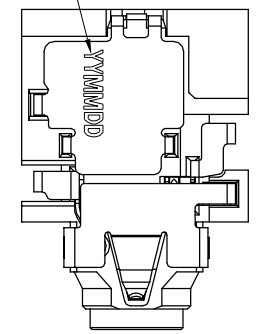
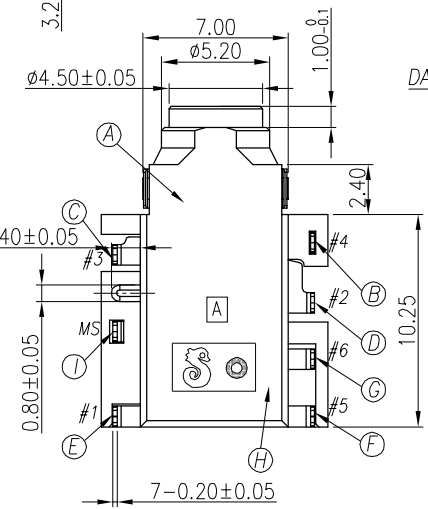
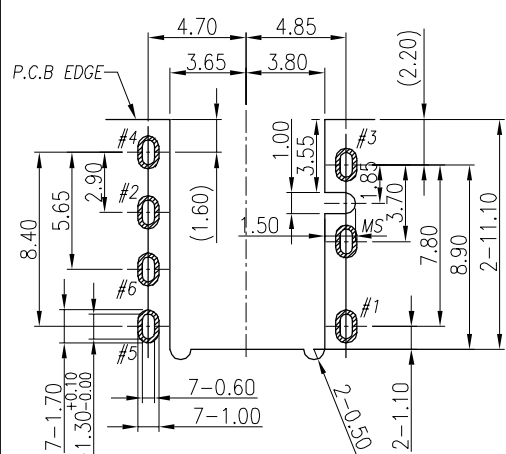


REV.	ECN NO OR DESCRIPTION	REVISED	DATE
A	PDR NO: T170317-7A	Qing	2017.10.19



- SPECIFICATIONS:
- ELECTRICAL CHARACTERISTICS:
 - RATING: 12V 1A
 - CONTACT RESISTANCE: 50mΩ MAX.(INITIAL)
 - DIELECTRIC WITHSTANDING VOLTAGE: 500V AC FOR ONE MINUTE.
 - INSULATION RESISTANCE: 100MΩ MIN. MEASURED BY 500 VDC.
 - MECHANICAL CHARACTERISTICS:
 - INSERTION FORCE: 0.5-3.0Kgf
 - WITHDRAWAL FORCE: 0.5-3.0Kgf
 - LIFE TEST: 5,000 CYCLES MIN.
AFTER LIFE TEST, CONTACT RESISTANCE: 120mΩ MAX.
 - PACKAGING : TAPE & REEL.
 - AFTER HUMIDITY TEST, INSULATION RESISTANCE: 50MΩ MIN.
 - TO CONFORM TO SINGATRON HAZARDOUS SUBSTANCE FREE SPEC.
 - HALOGEN FREE PRODUCT IDENTIFICATION MARK ON JACK:
 - HALOGEN FREE PRODUCT IDENTIFICATION LABEL ON PACKAGING:



I	SHELL	1	C2680-H 0.2T	Ni 60u ² Min.
H	SEPARATOR	1	LCP E130i+30%GF,UL94-V0 UL 94V-0	BLACK
G	MAKE TERMINAL	1	C5210-EH, 0.2T	COLD FLASH ON CONTACT AREA; COLD FLASH ON SOLDER AREA; ALL OVER 50u ² IN.
F	TRANSFER TERMINAL	1	C5210-EH, 0.2T	
E	TIP SPRING	1	C5210-EH, 0.2T	
D	RING A	1	C5210-EH, 0.2T	
C	RING B	1	C5210-EH, 0.2T	
B	EARTH	1	C5210-EH, 0.2T	
A	BODY	1	PA4T-30% GF (TX1) UL 94V-0	BLACK
NO	DESCRIPTION	QTY	MATERIAL	PLATING & COLOR

UNLESS OTHERWISE SPECIFIED TOLERANCES		Singatron Enterprise Co., Ltd. 信音企業股份有限公司	
DECIMALS:	ANGLES:	TITLE: 3.5Ø PHONE JACK	
X : ±0.5	X : ±2°	DWN	Qing PART NO. 2SJ3095-16611F
X.X : ±0.3	X.X : ±1°	CHKD	Bruce SCALE 4:1 UNIT: mm
X.XX : ±0.2		APVD	Lussen SIZE: A3 SHEET:1 OF 1 REV: A
CUSTOMER COPY			