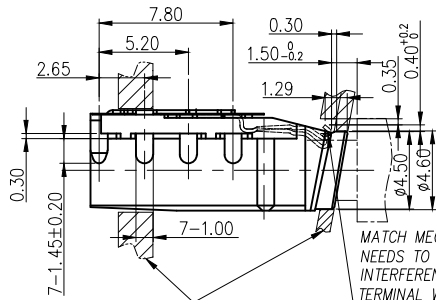


REV.	ECN NO OR DESCRIPTION	REVISED	DATE
A	PDR NO: T170818-3A/3B	JJF-FU	2018.03.30
B	ECN NO: S181016-C	Xinzh	2018.11.21



RECOMMENDED LIMIT SUPPORT STRUCTURE

MATCH MECHANISM ID NEEDS TO AVOID INTERFERENCE WITH TERMINAL WHEN PLUG IN.

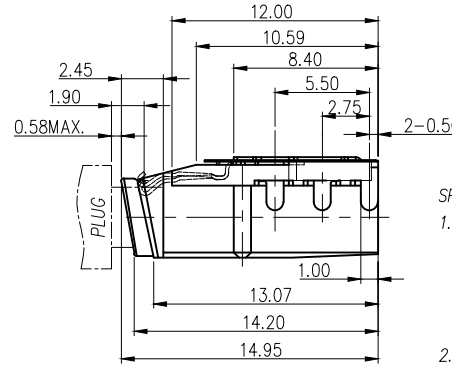
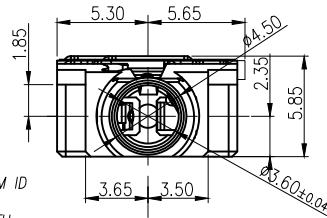


TABLE 1:

P/N	PLATING SPEC
2SJ3095-173211F	Au 30u" Min. ON CONTACT AREA
2SJ3095-173111F	GOLD FLASH ON CONTACT AREA;

SPECIFICATIONS:

1. ELECTRICAL CHARACTERISTICS:

- 1-1. RATING: 12V 1A
- 1-2. CONTACT RESISTANCE: 50mΩ MAX.(INITIAL)
- 1-3. DIELECTRIC WITHSTANDING VOLTAGE: 500V AC FOR ONE MINUTE.
- 1-4. INSULATION RESISTANCE: 100MΩ MIN. MEASURED BY 500 VDC.

2. MECHANICAL CHARACTERISTICS:

- 2-1. INITIAL INSERTION FORCE: 0.8 - 3.0Kgf.  
WITHDRAWAL FORCE: 0.6 - 1.8Kgf.
- 2-2. AFTER 2000 TIMES  
INSERTION FORCE: 2.5Kgf Max.  
WITHDRAWAL FORCE: 0.5Kgf Min.

3. LIFE TEST: 2,000 CYCLES .

AFTER LIFE TEST, CONTACT RESISTANCE: 120mΩ MAX.

4. PACKAGING : TAPE & REEL.

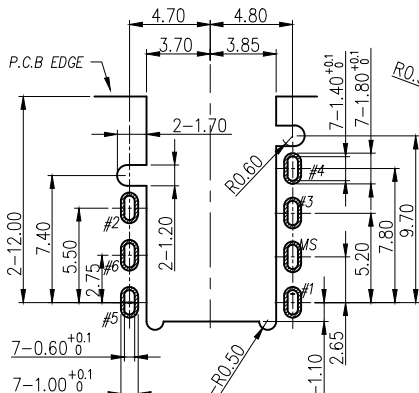
5. AFTER HUMIDITY TEST, INSULATION RESISTANCE: 50MΩ MIN.

6. OTHER GENERAL SPEC TO REFER "AUDIO JACK FOR 2SJ3095-173X11F SPEC"

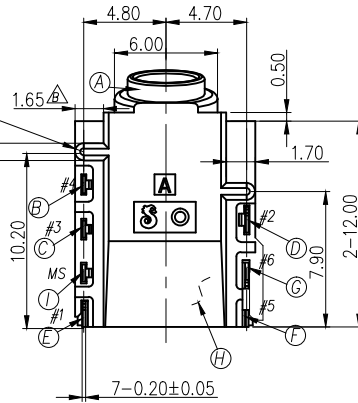
7. TO CONFORM TO SINGATRON HAZARDOUS SUBSTANCE FREE SPEC.

8. HALOGEN FREE PRODUCT IDENTIFICATION MARK ON PRODUCT:

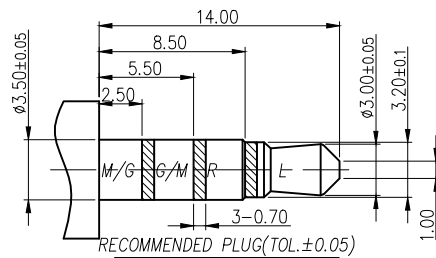
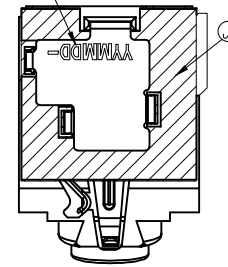
9. HALOGEN FREE PRODUCT IDENTIFICATION LOGO ON PACKAGING:



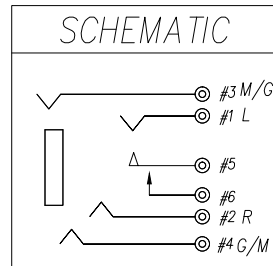
RECOMMENDED PCB LAYOUT  
TOP VIEW ; TOL.±0.05



DATE CODE.



RECOMMENDED PLUG(TOL.±0.05)  
ø3.5 4-POLE STANDARD PLUG



J	MYLAR	1	T=0.06	YELLOW
I	SHELL	1	COPPER ALLOY, 0.2T	Ni 60u"Min.
H	SEPARATOR	1	HIGH TEMP.THERMOPLASTIC UL 94V-0	BLACK
G	MAKE TERMINAL	1	PHOSPHOR BRONZE 0.2t	GOLD FLASH ON CONTACT AREA; GOLD FLASH ON SOLDER AREA; ALL OVER 50u" Ni.
F	TRANSFER TERMINAL	1	PHOSPHOR BRONZE 0.2t	GOLD FLASH ON CONTACT AREA; Matte Sn80u" ON SOLDER AREA; ALL OVER 50u" Ni.
E	TIP SPRING	1	STAINLESS STEEL 0.2t	
D	RING A	1	PHOSPHOR BRONZE 0.2t	G/F OR Au 30u" ON CONTACT AREA;
C	EARTH	1	PHOSPHOR BRONZE 0.2t	Matte Sn80u" ON SOLDER AREA; ALL OVER 50u" Ni.
B	RING B	1	PHOSPHOR BRONZE 0.2t	
A	BODY	1	HIGH TEMP.THERMOPLASTIC UL 94V-0	BLACK
NO	DESCRIPTION	QTY	MATERIAL	PLATING & COLOR

UNLESS OTHERWISE SPECIFIED TOLERANCES



Singatron Enterprise Co., Ltd.  
信音企業股份有限公司

DECIMALS: ANGLES:  
X :±0.5 X :±2'  
X.X :±0.3 X.X :±1'  
X.XX :±0.2

TITLE	ø3.50 AUDIO JACK		
DWN	Xinzh	PART NO.	2SJ3095-173X11F
CHKD	Bruce	SCALE 4:1	UNIT: mm
APVD	Liao	SIZE: A3	SHEET: 1 OF 1
REV: B			
CUSTOMER COPY			