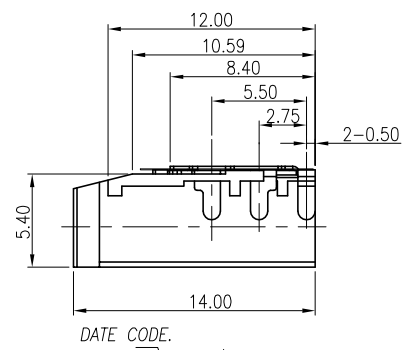
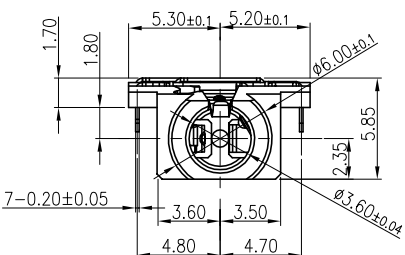
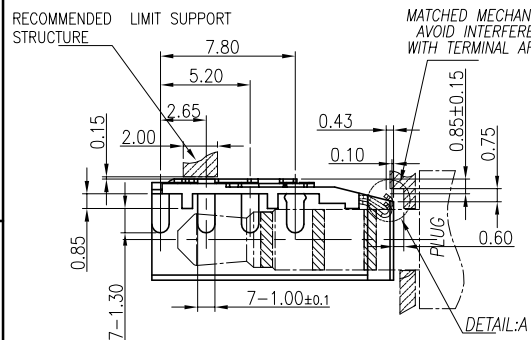
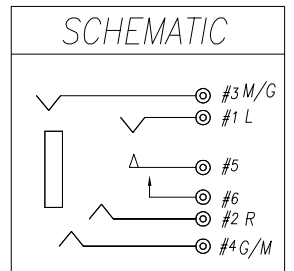
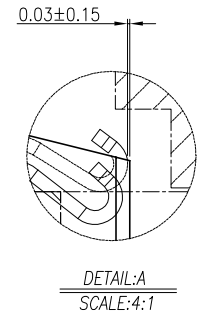
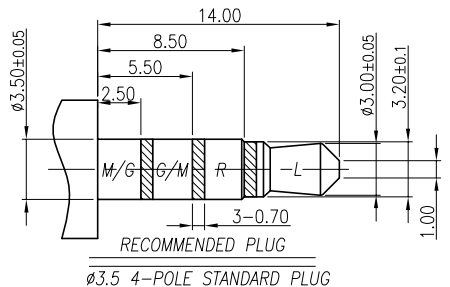
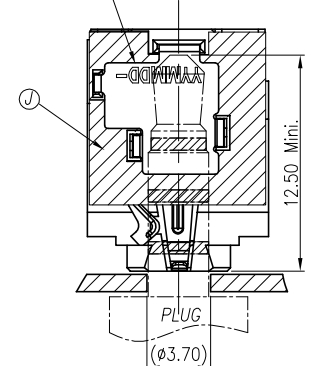
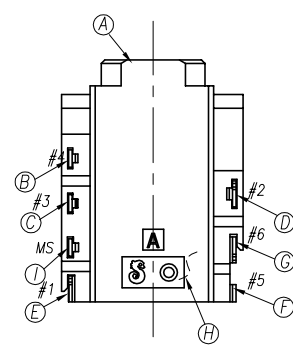
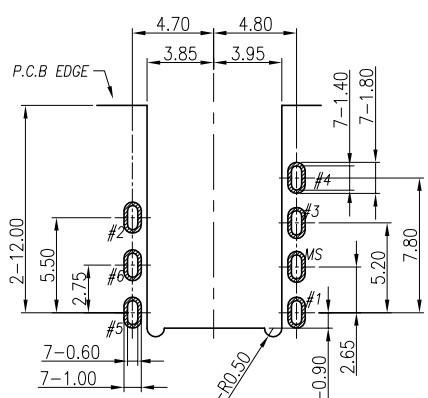


REV.	ECN NO OR DESCRIPTION	REVISED	DATE
A	PDR NO:T170922-2A	Enyang	2018.01.22



SPECIFICATIONS:

- INSULATION RESISTANCE BETWEEN ANY ADJACENT OPEN CIRCUIT TERMINAL SHELL NOT BE LESS THAN 100MΩ MEASURED BY 500V DC .
- CONTACT RESISTANCE: 50mΩ MAX(INITIAL).
- INSULATION VOLTAGE WITHSTAND:500V AC FOR ONE MINUTE.
- LIFE TEST: 2,000 CYCLES MIN.
- MECHANICAL CHARACTERISTICS:
 - BEFORE LIFE TEST: INSERTION FORCE: 0.8-3.0 Kgf, EXTRACTION FORCE: 0.6-1.8 Kgf,
 - AFTER LIFE TEST: INSERTION FORCE: 2.5 Kgf MAX, EXTRACTION FORCE: 0.5 Kgf MIN,
- AFTER LIFE TEST, CONTACT RESISTANCE: 100mΩ MAX.
- AFTER HUMIDITY TEST, INSULATION RESISTANCE: 50MΩ MIN.
- MARKING: MARK "S" ON TOP OF CONNECTOR.
- PACKING : TAPE & REEL.
- TO CONFORM TO SINGATRON HAZARDOUS SUBSTANCE FREE SPEC.
- HALOGEN FREE PRODUCT IDENTIFICATION MARK ON PRODUCT:
- HALOGEN FREE PRODUCT IDENTIFICATION LOGO ON PACKAGING:



J	MYLAR	1	T=0.06	YELLOW
I	SHELL	1	C2680-H 0.20T	Ni 60u"Min.
H	SEPARATOR	1	LCP E130I+30%GF, UL 94V-0	BLACK
G	MAKE TERMINAL	1	C5210-EH 0.2T	GOLD FLASH ON CONTACT AREA; GOLD FLASH ON SOLDER AREA; ALL OVER 50u" Ni.
F	TRANSFER TERMINAL	1	C5210-EH 0.2T	GOLD FLASH ON CONTACT AREA; Molte Sn80u" ON SOLDER AREA; ALL OVER 50u" Ni.
E	TIP SPRING	1	SUS304-1/2H 0.2T	
D	RING A	1	C5210-EH 0.2T	GOLD FLASH ON CONTACT AREA; Molte Sn80u" ON SOLDER AREA; ALL OVER 50u" Ni.
C	EARTH	1	C5210-EH 0.2T	
B	RING B	1	C5210-EH 0.2T	
A	BODY	1	PA4T+30%GF(TX1)UL 94V-0	BLACK
NO	DESCRIPTION	QTY	MATERIAL	PLATING & COLOR

Audio Jack	Contact point condition			
	P1 contact point	P2 contact point	P3 contact point	P4 contact point
Spec.	1.5mm ±0.6	4.35mm ±0.6	7.35mm ±0.6	11.6mm ±0.6
Design value	1.95mm	4.14mm	7.04mm	11.94mm

UNLESS OTHERWISE SPECIFIED TOLERANCES		Singatron Enterprise Co., Ltd. 信音企業股份有限公司	
DECIMALS:	ANGLES:	TITLE	0.3.50 AUDIO JACK
X :±0.5	X :±2°	DWN	Enyang
X.X :±0.3	X.X :±1°	CHKD	Bruce
X.XX :±0.2		APVD	Lussen
		SCALE	4:1
		UNIT	mm
		SIZE	A3
		SHEET	1 OF 1
		REV	A
CUSTOMER COPY			