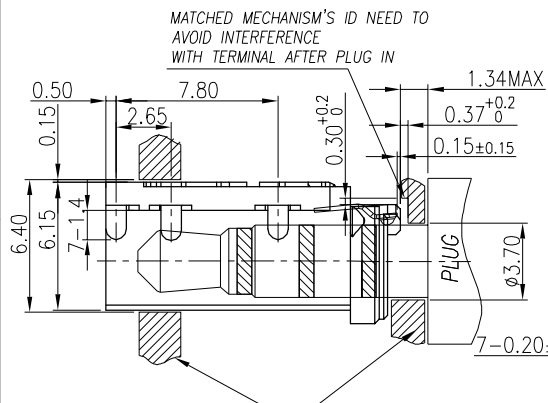
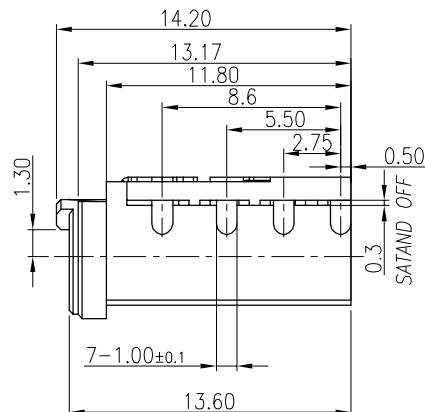
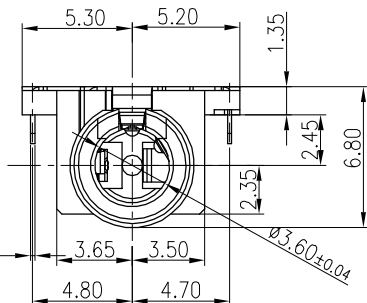


REV.	ECN NO OR DESCRIPTION	REVISED	DATE
A	PDR NO: T171012-2A	peng	2018.10.16



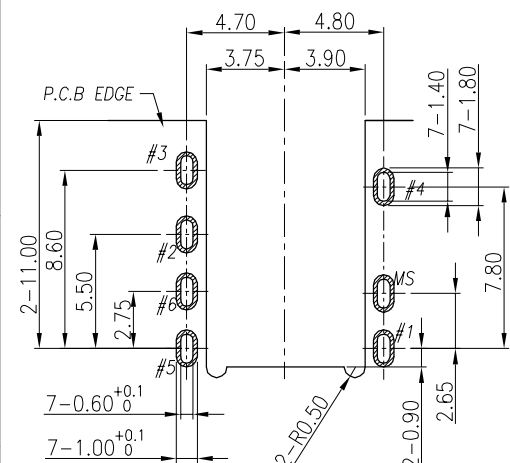
MATCHED MECHANISM'S ID NEED TO AVOID INTERFERENCE WITH TERMINAL AFTER PLUG IN

RECOMMENDED PANEL'S ID



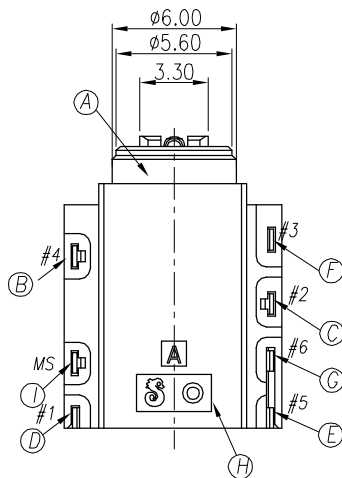
SPECIFICATIONS:

- ELECTRICAL CHARACTERISTICS:
 - RATING: 12V 1A
 - CONTACT RESISTANCE: 50mΩ MAX.(INITIAL)
 - DIELECTRIC WITHSTANDING VOLTAGE: 500V AC FOR ONE MINUTE.
 - INSULATION RESISTANCE: 100MΩ MIN. MEASURED BY 500 VDC.
- MECHANICAL CHARACTERISTICS:
 - BEFORE LIFE TEST: INSERTION FORCE: 0.8-3.0 Kgf, EXTRACTION FORCE: 0.6-1.8 Kgf,
 - AFTER LIFE TEST: INSERTION FORCE: 2.5 Kgf MAX, EXTRACTION FORCE: 0.5 Kgf MIN.
- LIFE TEST: 2,000 CYCLES MIN.
AFTER LIFE TEST, CONTACT RESISTANCE: 100mΩ MAX.
- PACKAGING : TAPE & REEL.
- AFTER HUMIDITY TEST, INSULATION RESISTANCE: 50MΩ MIN.
- OTHER GENERAL SPEC TO REFER "AUDIO JACK FOR 2SJ3095-179111FSPEC"
- TO CONFORM TO SINGATRON HAZARDOUS SUBSTANCE FREE SPEC.
- HALOGEN FREE PRODUCT IDENTIFICATION MARK ON PRODUCT:
- HALOGEN FREE PRODUCT IDENTIFICATION LOGO ON PACKAGING:
- FOR LEAD-FREE PROCESS.
- PRINTED DATE CODE "WMDD-" ON TOP OF CONNECTOR.

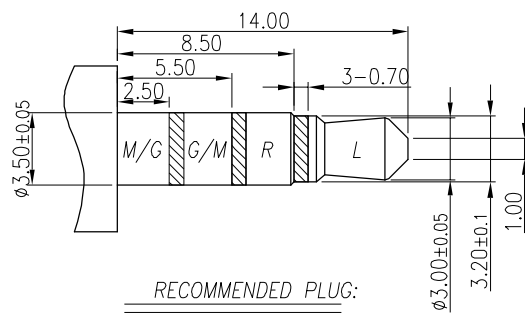
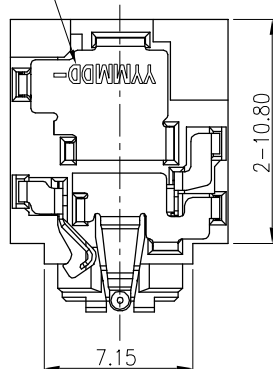


RECOMMENDED PCB LAYOUT

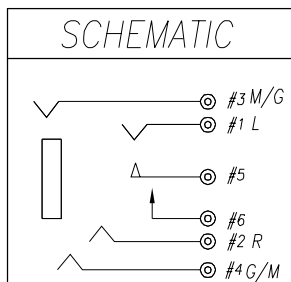
TOP VIEW ; TOL.±0.05



DATE CODE.



RECOMMENDED PLUG:
Ø3.5 4-POLES STANDARD PLUG
TOL.±0.05



I	SHELL	1	STAINLESS STEEL 0.2t	Ni 60u"Min.
H	SEPARATOR	1	HIGH TEMP.THERMOPLASTIC UL 94V-0	BLACK
G	MAKE TERMINAL	1	PHOSPHOR BRONZE 0.2t	GOLD FLASH ON CONTACT AREA & SOLDER AREA; ALL OVER 50u" Ni
F	EARTH	1	STAINLESS STEEL 0.2t	Ni 60u"Min.
E	TRANSFER TERMINAL	1	PHOSPHOR BRONZE 0.2t	GOLD FLASH ON CONTACT AREA; Matte Sn80u" ON SOLDER AREA; ALL OVER 50u" Ni
D	TIP SPRING	1	STAINLESS STEEL 0.2t	GOLD FLASH ON CONTACT AREA & SOLDER AREA; ALL OVER 50u" Ni
C	RING A	1	PHOSPHOR BRONZE 0.2t	GOLD FLASH ON CONTACT AREA; Matte Sn80u" ON SOLDER AREA; ALL OVER 50u" Ni
B	RING B	1	PHOSPHOR BRONZE 0.2t	GOLD FLASH ON CONTACT AREA; Matte Sn80u" ON SOLDER AREA; ALL OVER 50u" Ni
A	BODY	1	HIGH TEMP.THERMOPLASTIC UL 94V-0	BLACK
NO	DESCRIPTION	QTY	MATERIAL	PLATING & COLOR

UNLESS OTHERWISE SPECIFIED TOLERANCES

Singatron Enterprise Co., Ltd.
信音企業股份有限公司

DECIMALS:	ANGLES:	TITLE	3.5Ø AUDIO JACK		
X :±0.5	X :±2°	DWN PENG	PART NO. 2SJ3095-179111F		
X.X :±0.3	X.X :±1°	CHKD BRUCE	SCALE 4:1	UNIT: mm	
X.XX :±0.2		APVD LIAO	SIZE: A3	SHEET: 1 OF 1	REV: A

CUSTOMER COPY