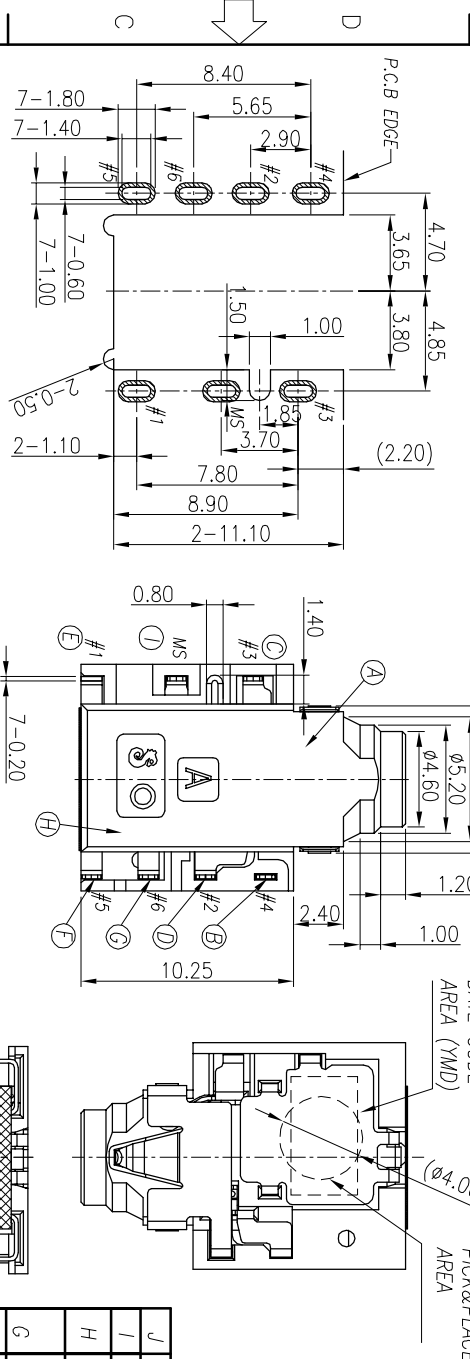
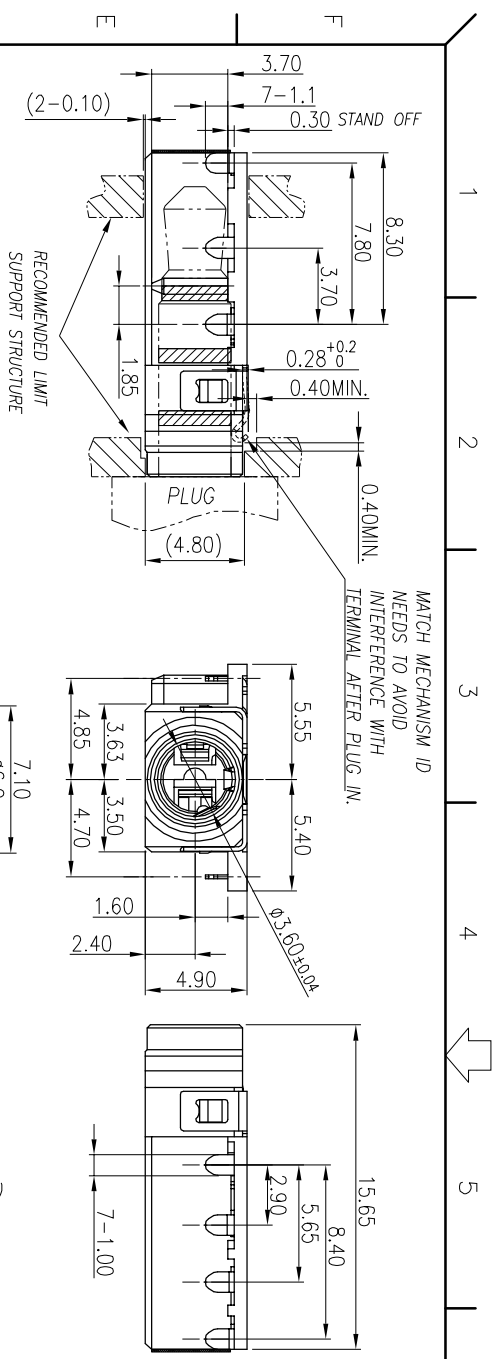
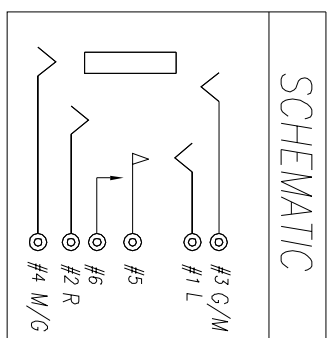
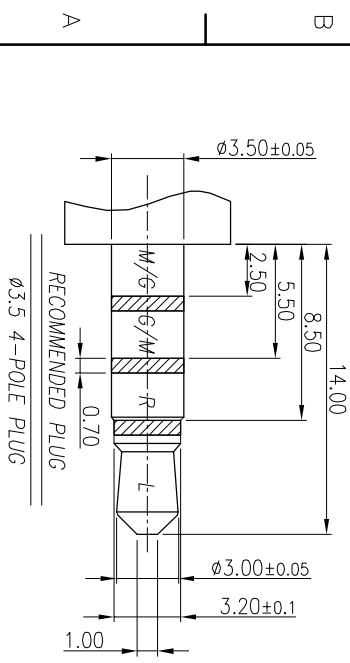


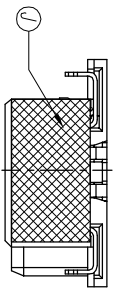
REV.	ECN NO. OR DESCRIPTION	REVISED	DATE
A	PDR NO: T230320-2A	JieLin	2023.10.07



RECOMMENDED PCB LAYOUT
TOP VIEW : TOL.±0.05



- SPECIFICATIONS:
- ELECTRICAL CHARACTERISTICS:
 - 1-1. RATING: 12V 1A
 - 1-2. CONTACT RESISTANCE: 50mΩ MAX.(INITIAL)
 - 1-3. DIELECTRIC WITHSTANDING VOLTAGE: 500V AC FOR ONE MINUTE.
 - 1-4. INSULATION RESISTANCE: 100MΩ MIN. MEASURED BY 500 VDC.
 - MECHANICAL CHARACTERISTICS:
 - 2-1. INSERTION FORCE: 0.3-3.0kgf
 - 2-2. WITHDRAWAL FORCE: 0.3-3.0kgf
 - LIFE TEST: 5,000 CYCLES MIN.
 - AFTER LIFE TEST, CONTACT RESISTANCE: 100mΩ MAX.
 - PACKAGING : TAPE & REEL.
 - AFTER HUMIDITY TEST, INSULATION RESISTANCE: 50MΩ MIN.
 - TO CONFORM TO SINGATRON HAZARDOUS SUBSTANCE FREE SPEC.
 - HALOGEN FREE PRODUCT IDENTIFICATION MARK ON JACK:
 - HALOGEN FREE PRODUCT IDENTIFICATION LABEL ON PACKAGING:
 - PRINTED DATE CODE" YMD=" ON TOP OF CONNECTOR.



J	WYLAR	1	KAPTON 0.10T	BLACK
I	SHELL	1	BRASS 0.2t	Ø4.1MM NORG. RAING
H	SEPARATOR	1	HIGH TEMP.THERMOPLASTIC UL 94V-0	BLACK
G	MAKE TERMINAL	1	PHOSPHOR BRONZE 0.2t	
F	TRANSFER TERMINAL	1	PHOSPHOR BRONZE 0.2t	
E	TIP SPRING	1	STAINLESS STEEL 0.2t	
D	RING A	1	PHOSPHOR BRONZE 0.2t	
C	RING B	1	PHOSPHOR BRONZE 0.2t	
B	EARTH	1	PHOSPHOR BRONZE 0.2t	
A	BODY	1	HIGH TEMP.THERMOPLASTIC UL 94V-0	BLACK
NO	DESCRIPTION	QTY	MATERIAL	PLATING & COLOR

UNLESS OTHERWISE SPECIFIED TOLERANCES

Singatron Enterprise Co., Ltd.
信登企業股份有限公司

TITLE: 3.5Ø AUDIO JACK

DWN: JieLin PART NO. 2S13095-297111F
CHKD: Bruce SCALE 4:1 UNIT: mm
APVD: Loo SIZE: A3 SHEET: 1 OF 1 REV: A

CUSTOMER COPY