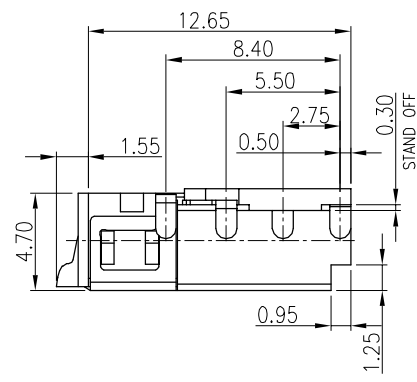
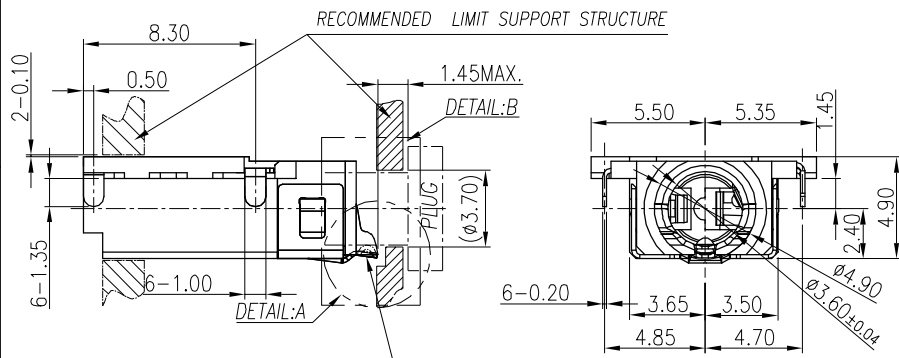
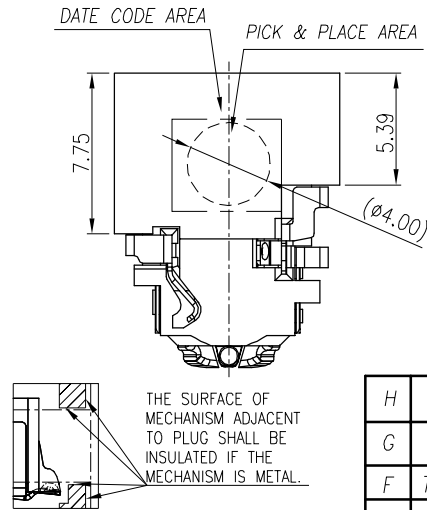
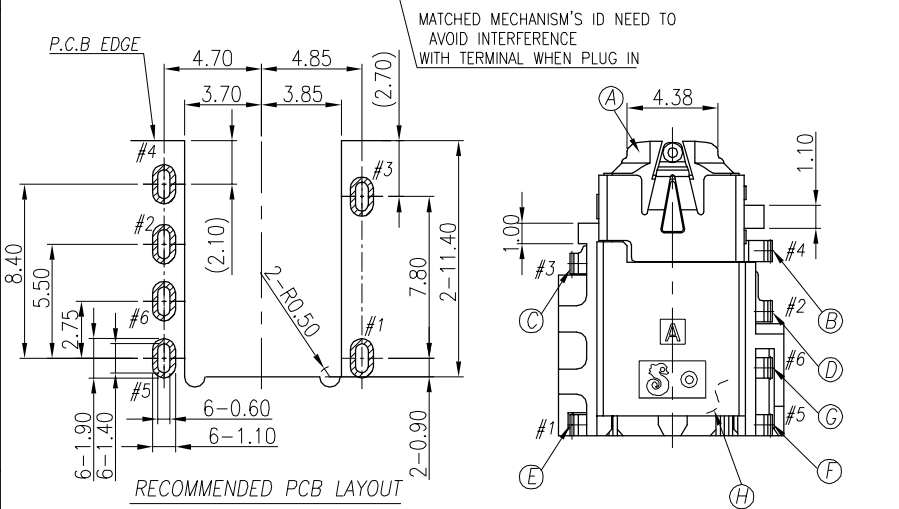


REV.	ECN NO OR DESCRIPTION	REVISED	DATE
A	PDR NO:T230515-2A	ZHENYI	2024.01.23

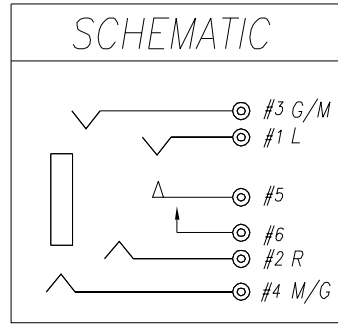
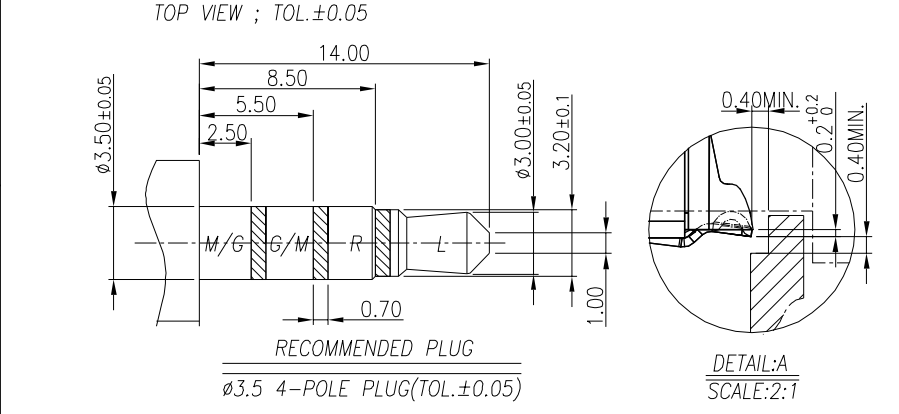


SPECIFICATIONS:

- ELECTRICAL CHARACTERISTICS:
 - RATING: 12V 1A
 - CONTACT RESISTANCE: 50mΩ MAX.(INITIAL)
 - DIELECTRIC WITHSTANDING VOLTAGE: 500V AC FOR ONE MINUTE.
 - INSULATION RESISTANCE: 100MΩ MIN. MEASURED BY 500 VDC.
- MECHANICAL CHARACTERISTICS:
 - INSERTION FORCE: INITIAL 0.4-3.0Kgf;
 - WITHDRAWAL FORCE: INITIAL 0.4-3.0Kgf;
 - LIFE TEST: 5,000 CYCLES MIN.
AFTER LIFE TEST, CONTACT RESISTANCE: 100mΩ MAX.
 - AFTER HUMIDITY TEST, INSULATION RESISTANCE: 50MΩ MIN.
 - TO CONFORM TO SINGATRON HAZARDOUS SUBSTANCE FREE SPEC.
 - MARKING: MARK "S" ON JACK.
 - HALOGEN PRODUCT IDENTIFICATION MARK ON JACK:
 - HALOGEN PRODUCT IDENTIFICATION LABEL ON PACKAGING:
 - FOR REFLOW SOLDERING LEAD-FREE PROCESS.
 - PRINTED DATE CODE "vwo-" ON TOP OF JACK.



DETAIL:B
SCALE:1:1



NO	DESCRIPTION	QTY	MATERIAL	PLATING & COLOR
H	SEPARATOR	1	HIGH TEMP.THERMOPLASTIC UL 94V-0	BLACK
G	MAKE TERMINAL	1	PHOSPHOR BRONZE 0.2t	1-3μm GOLD PLATING ON CONTACT AREA; 1-3μm GOLD PLATING ON SOLDER TAIL AREA; AND 50μm MIN. NICKEL UNDER PLATING.
F	TRANSFER TERMINAL	1	PHOSPHOR BRONZE 0.2t	
E	TIP SPRING	1	STAINLESS STEEL 0.2t	50" GOLD MIN ON CONTACT AREA; 1-3μm GOLD PLATING ON SOLDER TAIL AREA; AND 50μm MIN. NICKEL UNDER PLATING.
D	RING A	1	PHOSPHOR BRONZE 0.2t	
C	RING B	1	PHOSPHOR BRONZE 0.2t	
B	EARTH	1	PHOSPHOR BRONZE 0.2t	50" GOLD MIN ON CONTACT AREA; 80μ" WHITE-IN PLATING ON SOLDER TAIL AREA; AND 50μ" MIN. NICKEL UNDER PLATING.
A	BODY	1	HIGH TEMP.THERMOPLASTIC UL 94V-0	BLACK

UNLESS OTHERWISE SPECIFIED TOLERANCES

DECIMALS: X :±0.5 X.X :±0.3 X.XX :±0.2

ANGLES: X :±2° X.X :±1°

Singatron Enterprise Co., Ltd.
信音企業股份有限公司

TITLE: ø3.5 AUDIO JACK

DWN ZHENYI PART NO. 2SJ3095-298111F

CHKD Bruce SCALE 4:1 UNIT: mm

APVD LIAO SIZE: A3 SHEET:1 OF 1 REV: A

CUSTOMER COPY