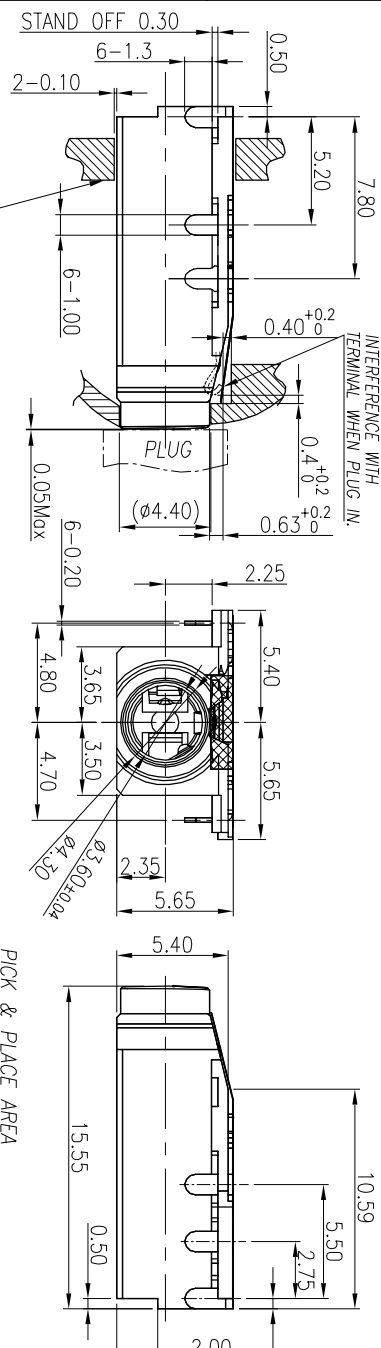
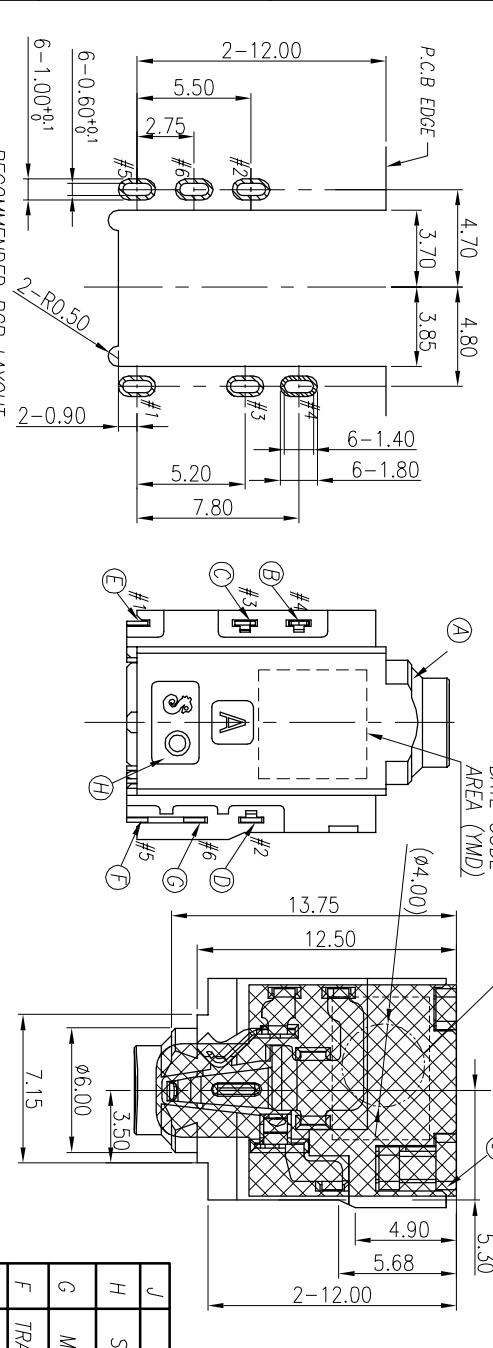


REV.	EGN NO OR DESCRIPTION	REVISED	DATE
A	PDR NO:1230523-3A	Jiefin	2023.11.03

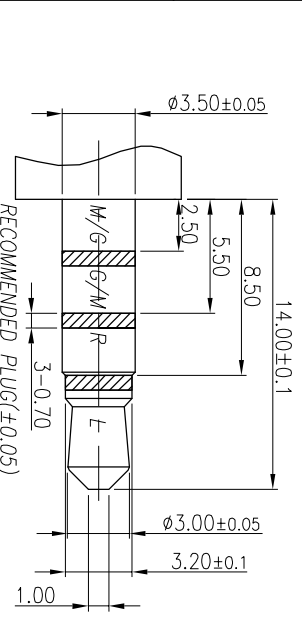


RECOMMENDED LIMIT SUPPORT STRUCTURE



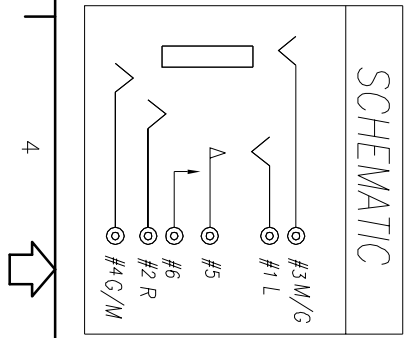
RECOMMENDED PCB LAYOUT

TOP VIEW : TOL. ±0.05



RECOMMENDED PLUG(±0.05)

Ø3.5 4-POLE PLUG



SCHEMATIC

- SPECIFICATIONS:
- ELECTRICAL CHARACTERISTICS:
 - RATING: 12V 1A
 - CONTACT RESISTANCE: 50mΩ MAX.(INITIAL)
 - DIELECTRIC WITHSTANDING VOLTAGE: 500V AC FOR ONE MINUTE.
 - INSULATION RESISTANCE: 100MΩ MIN. MEASURED BY 500 VDC.
 - MECHANICAL CHARACTERISTICS:
 - INSERTION FORCE: 0.8~3.0kgf INITIAL ; 2.5 Kgf Max.
 - WITHDRAWAL FORCE: 0.6~1.8kgf INITIAL; 0.5 Kgf Min.
 - LIFE TEST: 2,000 CYCLES MIN.
 - AFTER LIFE TEST, CONTACT RESISTANCE: 100mΩ MAX.
 - PACKAGING: TAPE & REEL.
 - AFTER HUMIDITY TEST, INSULATION RESISTANCE: 50MΩ MIN.
 - TO CONFORM TO SINGATRON HAZARDOUS SUBSTANCE FREE SPEC.
 - HALOGEN FREE PRODUCT IDENTIFICATION MARK ON PRODUCT:
 - HALOGEN FREE PRODUCT IDENTIFICATION LOGO ON PACKAGING:
 - FOR REFLOW SOLDERING LEAD-FREE PROCESS.
 - PRINTED DATE CODE "MMDD" ON TOP OF JACK.

NO	DESCRIPTION	QTY	MATERIAL	PLATING & COLOR
J	WYAR	1	T=0.06*14.50*10.20	YELLOW
H	SEPARATOR	1	HIGH TEMP.THERMOPLASTIC UL 94V-0	BLACK
G	MAKE TERMINAL	1	PHOSPHOR BRONZE 0.2T	
F	TRANSFER TERMINAL	1	PHOSPHOR BRONZE 0.2T	
E	TIP SPRING	1	STAINLESS STEEL, 0.2T	
D	RING A	1	PHOSPHOR BRONZE 0.2T	
C	EARTH	1	PHOSPHOR BRONZE 0.2T	
B	RING B	1	PHOSPHOR BRONZE 0.2T	
A	BODY	1	HIGH TEMP.THERMOPLASTIC UL 94V-0	BLACK

NO	DESCRIPTION	QTY	MATERIAL	PLATING & COLOR
UNLESS OTHERWISE SPECIFIED TOLERANCES				
DECIMALS: ANGLES:				
X	:±0.5	X	:±2°	
X.X	:±0.3	X.X	:±1°	
X.XX	:±0.2			
TITLE: 3.5Ø AUDIO JACK				
DWN	Jiefin	PART NO.	2S13095-300111F	
CHKD	Bruce	SCALE	4:1	UNIT: mm
APVD	Liao	SIZE:	A3	SHEET: 1 OF 1
REV: A				
CUSTOMER COPY				

Singatron Enterprise Co., Ltd.
信登企業股份有限公司