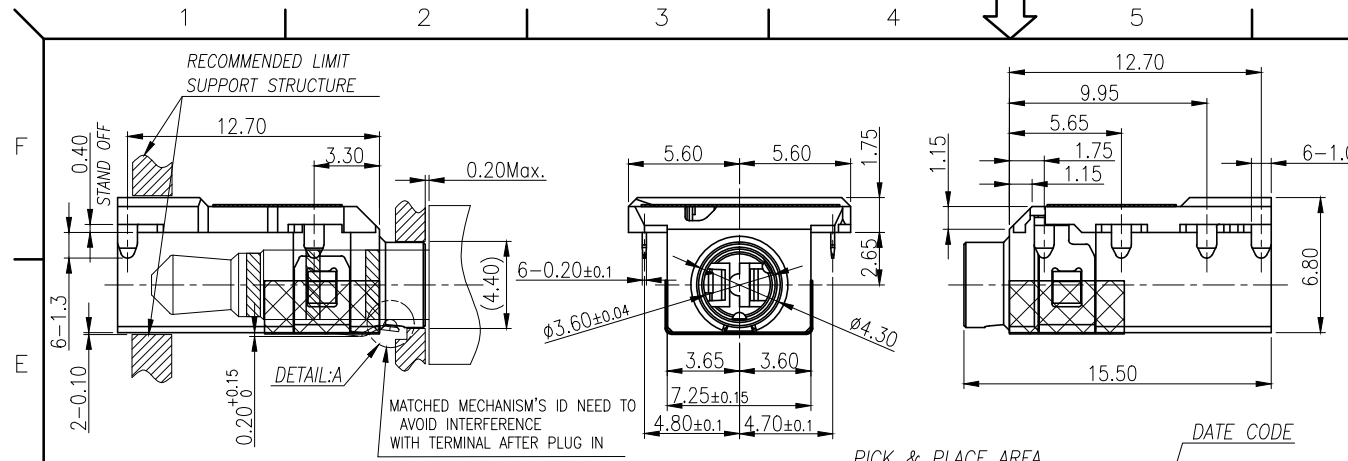
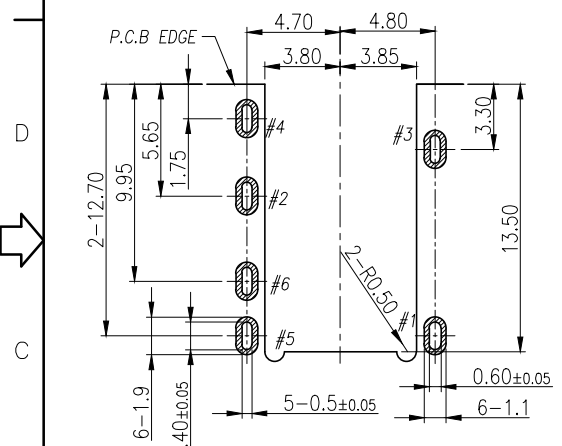


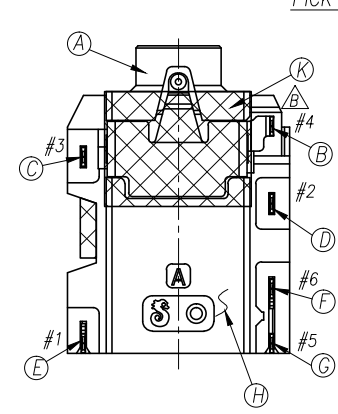
REV.	ECN NO OR DESCRIPTION	REVISED	DATE
A	PDR NO: T230717-2A	Jiujian	2023.10.23
B	ECN NO: S202311-C11/A	Jiujian	2023.11.27



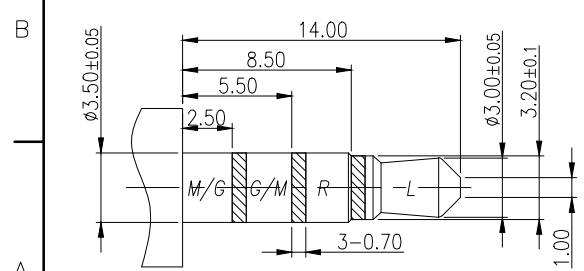
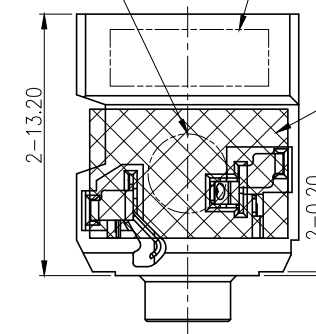
- SPECIFICATIONS:
- ELECTRICAL CHARACTERISTICS:
 - RATING: 12V 1A
 - CONTACT RESISTANCE: 50mΩ MAX.(INITIAL)
 - DIELECTRIC WITHSTANDING VOLTAGE: 500V AC FOR ONE MINUTE.
 - INSULATION RESISTANCE: 100MΩ MIN. MEASURED BY 500 VDC.
 - MECHANICAL CHARACTERISTICS:
 - INSERTION FORCE: INITIAL 0.3-3.0Kgf;
 - WITHDRAWAL FORCE: INITIAL 0.3-3.0Kgf;
 - LIFE TEST: 5,000 CYCLES MIN.
AFTER LIFE TEST, CONTACT RESISTANCE: 100mΩ MAX.
 - PACKAGING : TAPE & REEL.
 - AFTER HUMIDITY TEST, INSULATION RESISTANCE: 50MΩ MIN.
 - TO CONFORM TO SINGATRON HAZARDOUS SUBSTANCE FREE SPEC.
 - HALOGEN FREE PRODUCT IDENTIFICATION MARK ON PRODUCT:
 - HALOGEN FREE PRODUCT IDENTIFICATION LOGO ON PACKAGING:
 - FOR REFLOW SOLDERING LEAD-FREE PROCESS.
 - PRINTED DATE CODE "VMQ-" ON TOP OF CONNECTOR.



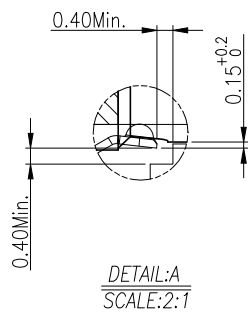
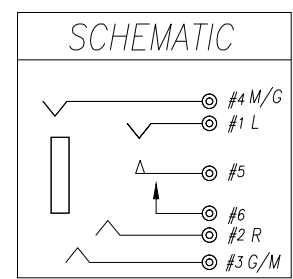
RECOMMENDED PCB LAYOUT
TOP VIEW ; TOL.±0.05



PICK & PLACE AREA



RECOMMENDED PLUG (TOL.±0.05)
ø3.5 4-POLE PLUG



K	MYLAR	1	T=0.07	YELLOW
J	MYLAR	1	T=0.10	YELLOW
H	SEPARATOR	1	HIGH TEMP.THERMOPLASTIC UL 94V-0	BLACK
G	TRANSFER TERMINAL	1	PHOSPHOR BRONZE 0.2T	GOLD FLASH ON CONTACT AREA; GOLD FLASH ON SOLDER AREA; ALL OVER 50u" Ni.
F	MAKE TERMINAL	1	PHOSPHOR BRONZE 0.2T	
E	TIP SPRING	1	STAINLESS STEEL 0.2T	
D	RING A	1	PHOSPHOR BRONZE 0.2T	
C	RING B	1	PHOSPHOR BRONZE 0.2T	
B	EARTH	1	PHOSPHOR BRONZE 0.2T	
A	BODY	1	HIGH TEMP.THERMOPLASTIC UL 94V-0	BLACK
NO	DESCRIPTION	QTY	MATERIAL	PLATING & COLOR

UNLESS OTHERWISE SPECIFIED TOLERANCES		Singatron Enterprise Co., Ltd. 信音企業股份有限公司	
DECIMALS:	ANGLES:	TITLE	
X :±0.5	X :±2°	ø3.5 AUDIO JACK	
X.X :±0.3	X.X :±1°	DWN	Jiujian PART NO. 2SJ3095-302111F
X.XX :±0.2		CHKD	Bruce SCALE 4:1 UNIT: mm
		APVD	Liao SIZE: A3 SHEET:1 OF 1 REV: B
CUSTOMER COPY			