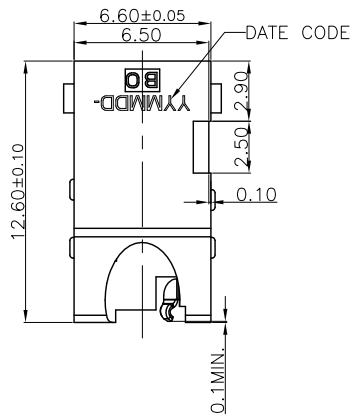
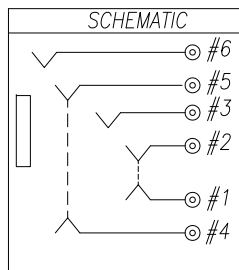
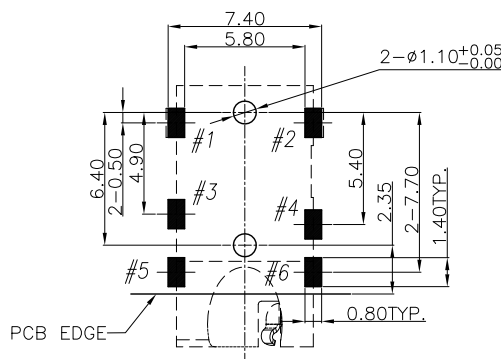
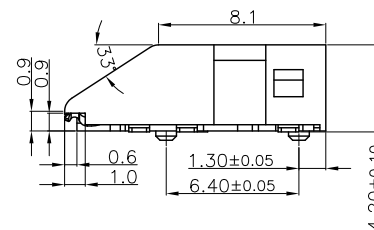
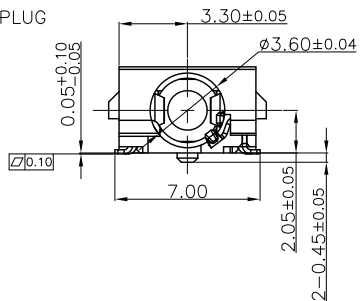
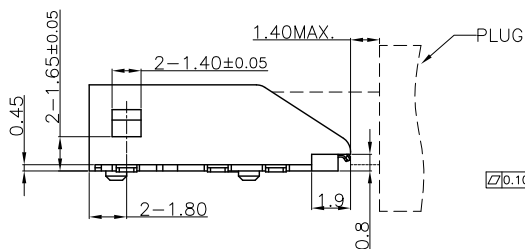


REV.	ECN NO OR DESCRIPTION	REVISED	DATE
A	PDR NO.: T130329-8A	HM-JIANG	2013.05.30
B	ECN NO.: S140535	ANDY	2014.05.22

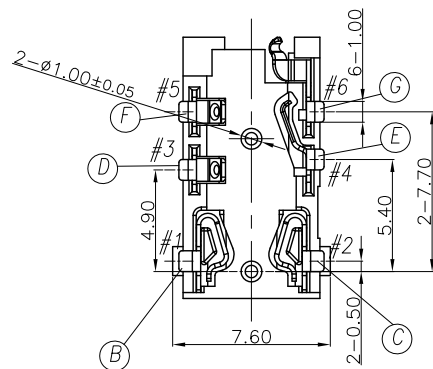


SPECIFICATIONS:

- ELECTRICAL CHARACTERISTICS:
  - RATING: 12V 1A
  - CONTACT RESISTANCE: 50mΩ MAX.(INITIAL)
  - DIELECTRIC WITHSTANDING VOLTAGE: 500V AC FOR ONE MINUTE.
  - INSULATION RESISTANCE: 100MΩ MIN. MEASURED BY 500V DC
- MECHANICAL CHARACTERISTICS:
  - INSERTION FORCE : 0.3~3.0 KGF
  - WITHDRAWAL FORCE : 0.3~3.0 KGF
- LIFE TEST: 5,000 CYCLES
- AFTER LIFE TEST, CONTACT RESISTANCE: 60mΩ MAX.
- AFTER HUMIDITY TEST, INSULATION RESISTANCE: 50MΩ MIN.
- TO CONFORM TO SINGATRON HAZARDOUS SUBSTANCE FREE SPEC.
- HALOGEN FREE PRODUCT IDENTIFICATION MARK ON PRODUCT: Ⓢ
- HALOGEN FREE PRODUCT IDENTIFICATION LOGO ON PACKAGING: Ⓢ
- PLUG INTERFACE DIMENSION CONFORM TO JETTA EIAJ RC-5325A



RECOMMENDED PCB LAYOUT(TOP VIEW)  
(TOLERANCE: ±0.05)



G	EARTH	1	COPPER ALLOY, 0.2T	GOLD FLASH ON CONTACT AREA; GOLD FLASH ON SOLDER TAIL AREA; ALL OVER NI 50u" PLATING.
F	RING-B-L	1	COPPER ALLOY, 0.2T	
E	RING-B-R	1	COPPER ALLOY, 0.2T	
D	RING-A	1	COPPER ALLOY, 0.2T	
C	TIP-B	1	COPPER ALLOY, 0.2T	
B	TIP-A	1	COPPER ALLOY, 0.2T	
A	BODY	1	HIGH TEMP.THERMOPLASTIC UL 94V-0	BLACK

NO	DESCRIPTION	QTY	MATERIAL	PLATING & COLOR
UNLESS OTHERWISE SPECIFIED TOLERANCES			Singatron Enterprise Co., Ltd. 信音企業股份有限公司	
DECIMALS:		TITLE		
X	:±0.5	⌀3.50 AUDIO JACK		
X.X	:±0.3	DWN	ANDY	PART NO. 2SJ3097-001111F
X.XX	:±0.2	CHKD	CERRY	SCALE:4:1 UNIT: mm
		APVD	MAX	SIZE: A3 SHEET:1 OF 1 REV: B
CUSTOMER COPY				