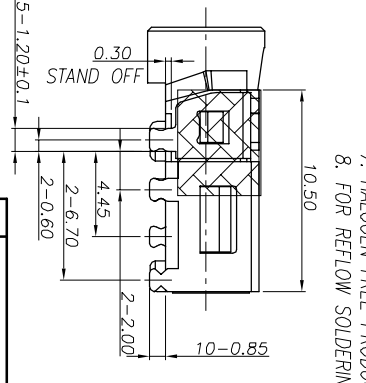
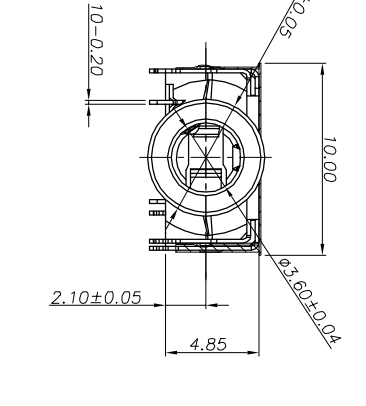
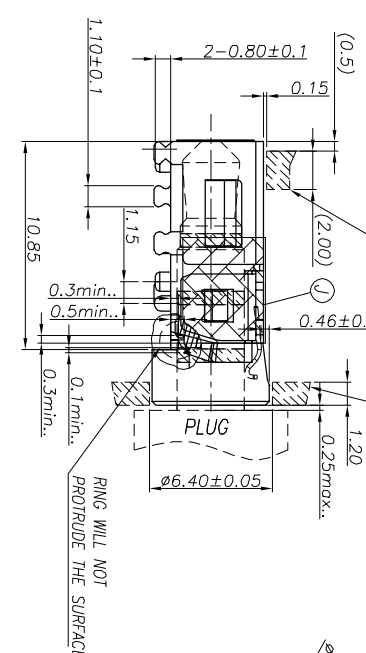
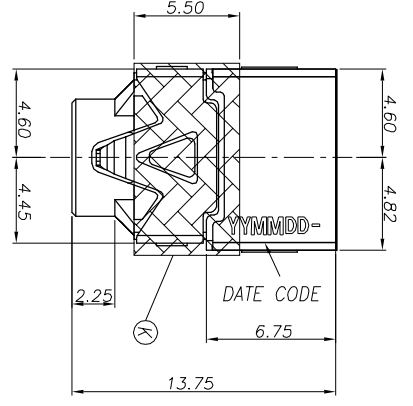
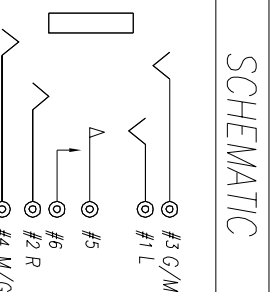
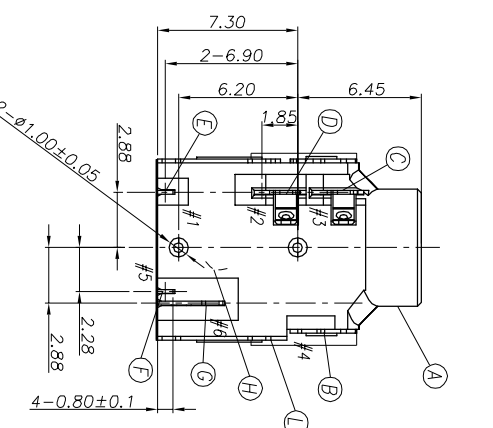
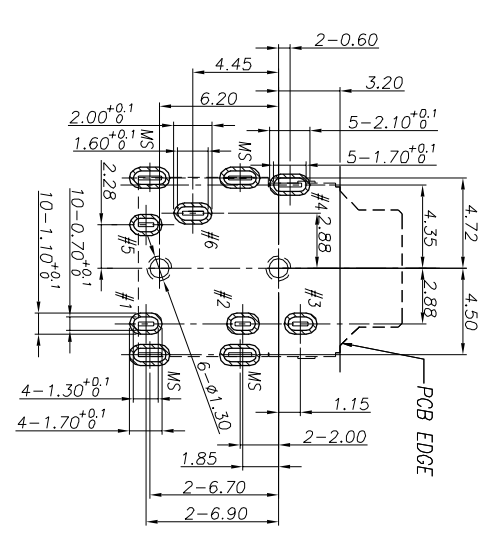


RECOMMENDED PLUG  
 03.5 4-POLE STANDARD PLUG  
 RECOMMENDED LOADING  
 RECOMMENDED PANEL'S ID



- SPECIFICATIONS:
- ELECTRICAL CHARACTERISTICS:
    - RATING: 12V 1A
    - CONTACT RESISTANCE: 50mΩ MAX.(INITIAL)
    - DIELECTRIC WITHSTANDING VOLTAGE: 500V AC FOR ONE MINUTE.
    - INSULATION RESISTANCE: 100MΩ MIN. MEASURED BY 500V DC
  - MECHANICAL CHARACTERISTICS:
    - INSERTION FORCE : 0.3~3.0 KGF
    - WITHDRAWAL FORCE : 0.3~3.0 KGF
    - LIFE TEST: 5,000 CYCLES MIN.
    - OTHER GENERAL SPEC. TO REFER "2SJ3098-008111F SPEC."
    - TO CONFORM TO SINGATRON HAZARDOUS SUBSTANCE FREE SPEC.
    - HALOGEN FREE PRODUCT IDENTIFICATION MARK ON PRODUCT:
    - HALOGEN FREE PRODUCT IDENTIFICATION LOGO ON PACKAGING:
    - FOR REFLOW SOLDERING LEAD-FREE PROCESS.



NO	DESCRIPTION	QTY	MATERIAL	PLATING & COLOR
L	SHELL	1	CS191-H 0.2T	Ni 60μ, *Min.
K	MYLAR	1	KAPTON T=0.1	YELLOW
J	MYLAR	2	KAPTON T=0.1	YELLOW
I	MYLAR	1	KAPTON T=0.07	YELLOW
H	SEPARATOR	1	LCP E130: UL94-V0	BLACK
G	MAKE TERMINAL	1	CS210-EH 0.20T	GOLD FLASH ON CONTACT AREA WAVE 100μ ON SOLDER AREA 40 OVER 300 μm
F	TRANSFER TERMINAL	1	CS210-EH 0.20T	GOLD FLASH ON CONTACT AREA WAVE 100μ ON SOLDER AREA 40 OVER 300 μm
E	TIP SPRING	1	CS210-EH 0.20T	GOLD FLASH ON CONTACT AREA WAVE 100μ ON SOLDER AREA 40 OVER 300 μm
D	RING A	1	CS210-EH 0.20T	GOLD FLASH ON CONTACT AREA WAVE 100μ ON SOLDER AREA 40 OVER 300 μm
C	RING B	1	CS210-EH 0.20T	GOLD FLASH ON CONTACT AREA WAVE 100μ ON SOLDER AREA 40 OVER 300 μm
B	EARTH	1	CS210-EH 0.20T	GOLD FLASH ON CONTACT AREA WAVE 100μ ON SOLDER AREA 40 OVER 300 μm
A	BODY	1	PPS-4520F, A30M45B-BK UL94-V0	BLACK

SINGATRON ENTERPRISE CO., LTD.  
 信亨企業股份有限公司

TITLE: 03.50 AUDIO JACK

DRAWN: Peng  
 CHECKED: Bruce  
 APVD: Lussen

PART NO: 2SJ3098-008111F  
 SCALE: 4:1  
 SIZE: A3

UNLESS OTHERWISE SPECIFIED TOLERANCES:  
 DECIMALS: ANGLES:  
 X ±0.5 X ±.2  
 X.X ±0.3 X.X ±.1  
 XXX ±0.2

CUSTOMER COPY