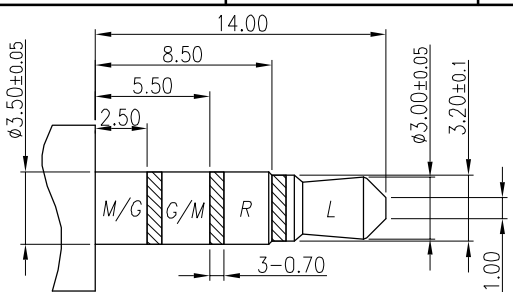
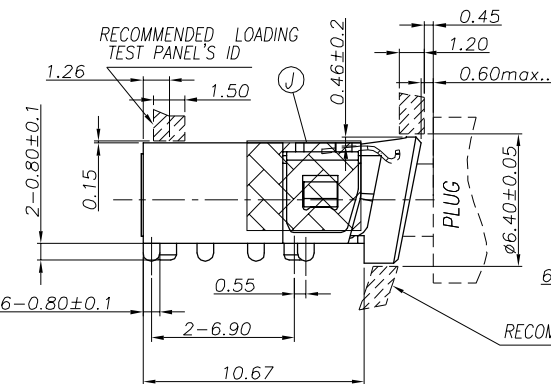
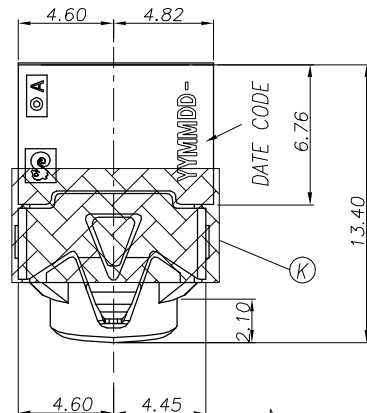


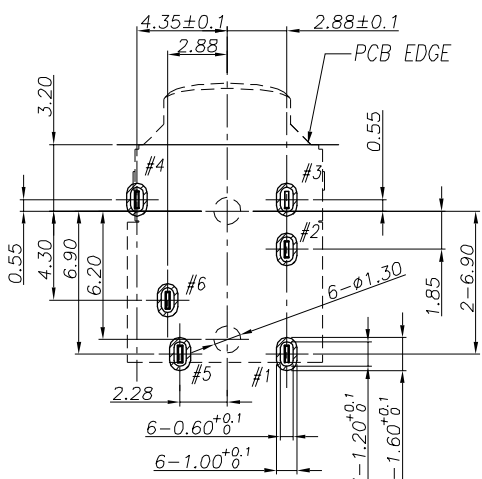
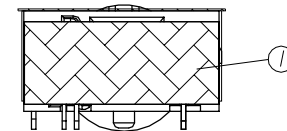
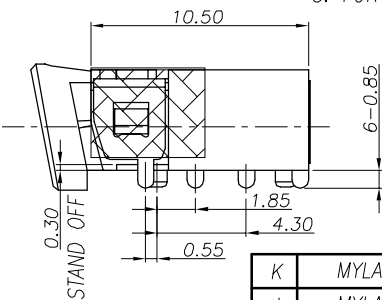
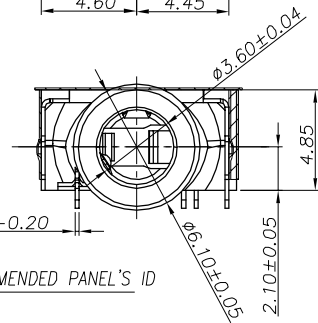
REV.	ECN NO OR DESCRIPTION	REVISED	DATE
A	PDR NO: T160314-3A	Peng	2017.06.16



RECOMMENDED PLUG
Ø3.5 4-POLE STANDARD PLUG

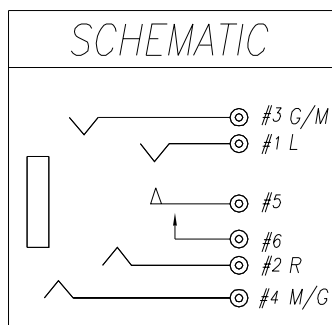
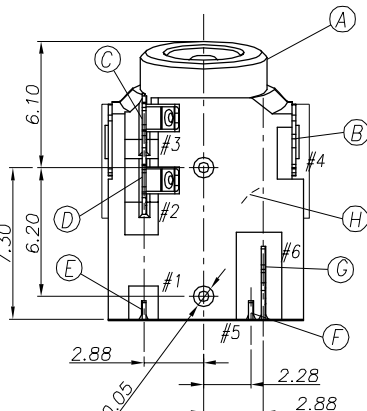


RECOMMENDED PANEL'S ID



RECOMMENDED PCB LAYOUT

TOP VIEW ; TOL.±0.05



SPECIFICATIONS:

- ELECTRICAL CHARACTERISTICS:
 - RATING: 12V 1A
 - CONTACT RESISTANCE: 50mΩ MAX.(INITIAL)
 - DIELECTRIC WITHSTANDING VOLTAGE: 500V AC FOR ONE MINUTE.
 - INSULATION RESISTANCE: 100MΩ MIN. MEASURED BY 500V DC
- MECHANICAL CHARACTERISTICS:
 - INSERTION FORCE : 0.3~3.0 KGF
 - WITHDRAWAL FORCE : 0.3~3.0 KGF
- LIFE TEST: 5,000 CYCLES MIN.
- OTHER GENERAL SPEC. TO REFER "2SJ3098 SERIES SPEC".
- TO CONFORM TO SINGATRON HAZARDOUS SUBSTANCE FREE SPEC.
- HALOGEN FREE PRODUCT IDENTIFICATION MARK ON PRODUCT:
- HALOGEN FREE PRODUCT IDENTIFICATION LOGO ON PACKAGING:
- FOR REFLOW SOLDERING LEAD-FREE PROCESS.

K	MYLAR	1	KAPTON T=0.1	YELLOW
J	MYLAR	2	KAPTON T=0.1	YELLOW
I	MYLAR	1	KAPTON T=0.07	YELLOW
H	SEPARATOR	1	LCP E130i UL94-V0	BLACK
G	MAKE TERMINAL	1	C5210-EH 0.20T	GOLD FLASH ON CONTACT AREA; GOLD FLASH ON SOLDER AREA; ALL OVER 50u" Ni.
F	TRANSFER TERMINAL	1	C5210-EH 0.20T	GOLD FLASH ON CONTACT AREA; Motte Tin120u" ON SOLDER AREA; ALL OVER 50u" Ni.
E	TIP SPRING	1	C5210-EH 0.20T	Au 30u" ON CONTACT AREA; Motte Tin120u" ON SOLDER AREA; ALL OVER 50u" Ni.
D	RING A	1	C5210-EH 0.20T	Au 30u" ON CONTACT AREA; GOLD FLASH ON SOLDER AREA; ALL OVER 50u" Ni.
C	RING B	1	C5210-EH 0.20T	Au 30u" ON CONTACT AREA; Motte Tin120u" ON SOLDER AREA; ALL OVER 50u" Ni.
B	EARTH	1	C5210-EH 0.20T	Au 30u" ON CONTACT AREA; Motte Tin120u" ON SOLDER AREA; ALL OVER 50u" Ni.
A	BODY	1	PA4T+30%GF(TX1) UL94-V0	BLACK
NO	DESCRIPTION	QTY	MATERIAL	PLATING & COLOR

UNLESS OTHERWISE SPECIFIED TOLERANCES

Singatron Enterprise Co., Ltd.
信音企業股份有限公司

DECIMALS:	ANGLES:	TITLE	Ø3.50 AUDIO JACK	
X :±0.5	X :±2°	DWN	Peng	PART NO.2SJ3098-012111F
X.X :±0.3	X.X :±1°	CHKD	Bruce	SCALE 4:1 UNIT: mm
X.XX :±0.2		APVD	Lussen	SIZE: A3 SHEET:1 OF 1 REV: A

CUSTOMER COPY