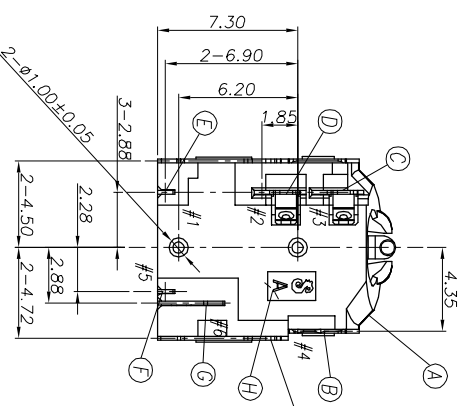
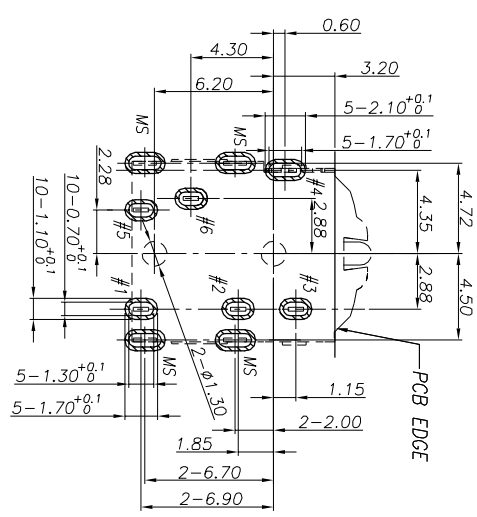
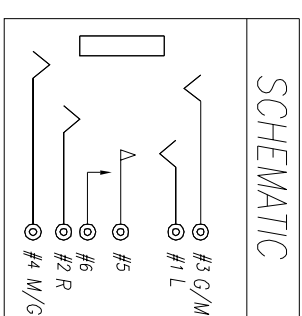
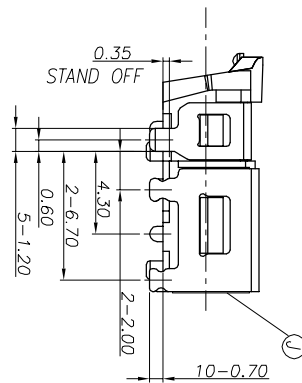
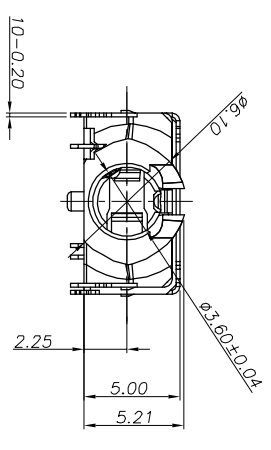
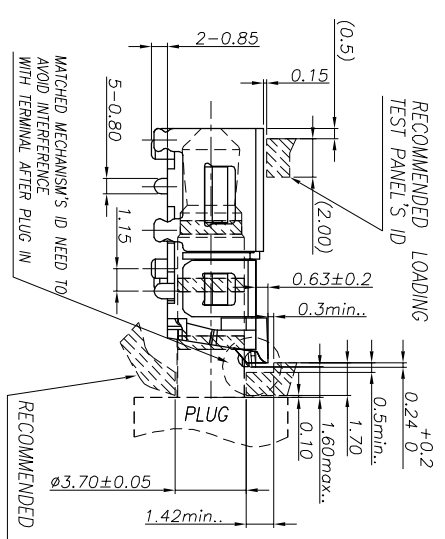
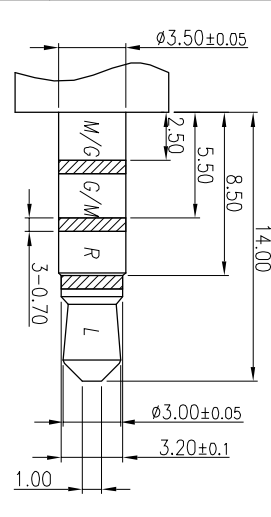
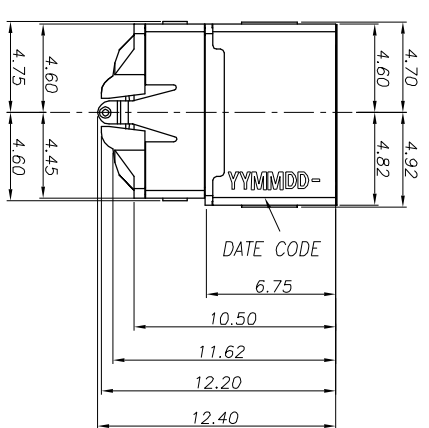


REV	ECN NO OR DESCRIPTION	REVISED	DATE
A	PDR NO.: S170418-8A	Peng	2017.12.20

- SPECIFICATIONS:
1. ELECTRICAL CHARACTERISTICS:
- 1-1. RATING: 12V 1A
 - 1-2. CONTACT RESISTANCE: 50mΩ MAX.(INITIAL)
 - 1-3. DIELECTRIC WITHSTANDING VOLTAGE: 500V AC FOR ONE MINUTE.
 - 1-4. INSULATION RESISTANCE: 100MΩ MIN. MEASURED BY 500V DC
2. MECHANICAL CHARACTERISTICS:
- 2-1. INSERTION FORCE : 0.3~3.0 KGF
 - 2-2. WITHDRAWAL FORCE : 0.4~3.0 KGF
3. LIFE TEST: 5,000 CYCLES MIN.
4. OTHER GENERAL SPEC. TO REFER "2SJ3098-016111F SPEC".
5. TO CONFORM TO SINGAIRON HAZARDOUS SUBSTANCE FREE SPEC.
6. HALOGEN FREE PRODUCT IDENTIFICATION MARK ON PRODUCT:
7. HALOGEN FREE PRODUCT IDENTIFICATION LOGO ON PACKAGING:
8. FOR REFLOW SOLDERING LEAD-FREE PROCESS.



NO	DESCRIPTION	QTY	MATERIAL	PLATING & COLOR
J	MYLAR	1	KAPTON T=0.07	YELLOW
I	SHELL	1	PHOSPHOR BRONZE 0.2t	Ni: 60μ"Min.
H	SEPARATOR	1	HIGH TEMP. UL 94V-0	BLACK
G	MAKE TERMINAL	1	PHOSPHOR BRONZE 0.2t	GOLD FLASH ON CONTACT AREA GOLD FLASH ON SOLDER AREA ALL OVER 50μ" Ni
F	TRANSFER TERMINAL	1	PHOSPHOR BRONZE 0.2t	GOLD FLASH ON CONTACT AREA GOLD FLASH ON SOLDER AREA ALL OVER 50μ" Ni
E	TIP SPRING	1	PHOSPHOR BRONZE 0.2t	ALL OVER 50μ" Ni
D	RING A	1	PHOSPHOR BRONZE 0.2t	ALL OVER 50μ" Ni
C	RING B	1	PHOSPHOR BRONZE 0.2t	ALL OVER 50μ" Ni
B	EARTH	1	PHOSPHOR BRONZE 0.2t	ALL OVER 50μ" Ni
A	BODY	1	PAAT-302 GF (TX) UL 94V-0	BLACK

UNLESS OTHERWISE SPECIFIED TOLERANCES

DECIMALS: ANGLES: X ±0.5 X ±.2 X X ±0.3 X X ±.1 X X X ±0.2

APVD Lussen SIZE: A3 SHEET: 1 OF 1 REV: A

CUSTOMER COPY

RECOMMENDED PCB LAYOUT

TOP VIEW : TOL.±0.05

