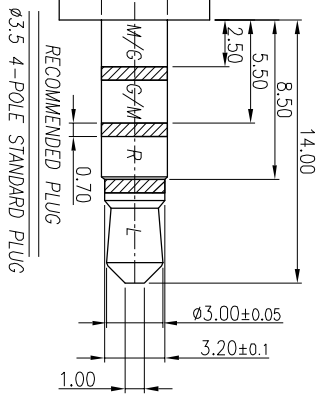
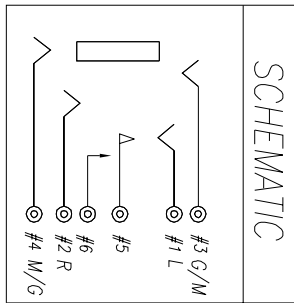


REV.	ECN NO. OR DESCRIPTION	REVISED	DATE
A	PDR NO: T170329-5A	BERT	2018.08.13

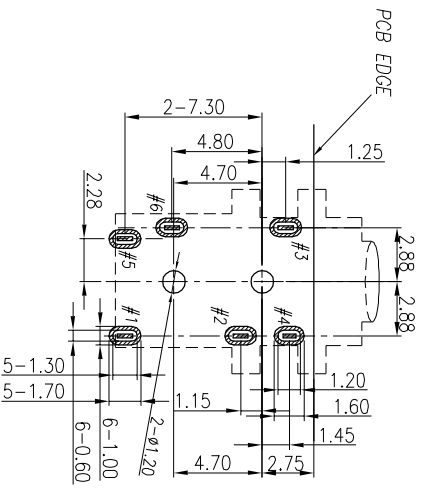
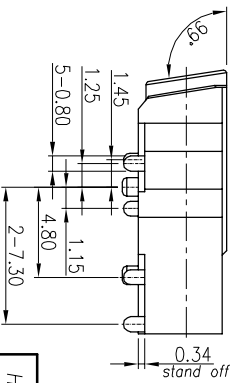
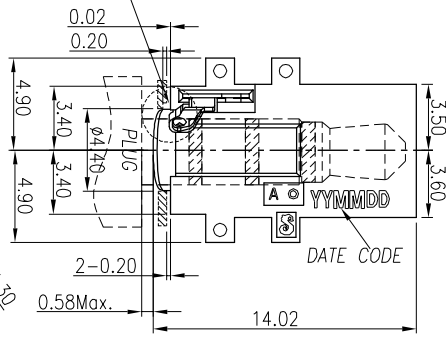
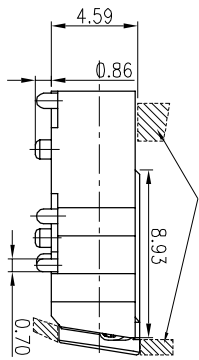
SPECIFICATIONS:

1. ELECTRICAL CHARACTERISTICS:
- 1-1. RATING: 12V 1A
 - 1-2. CONTACT RESISTANCE: 50mΩ MAX.(INITIAL)
 - 1-3. DIELECTRIC WITHSTANDING VOLTAGE: 500V AC FOR ONE MINUTE.
 - 1-4. INSULATION RESISTANCE: 100MΩ MIN. MEASURED BY 500 VDC.
2. MECHANICAL CHARACTERISTICS:
- 2-1. INSERTION FORCE: INITIAL 0.3-3.0kgf;
 - 2-2. WITHDRAWAL FORCE: INITIAL 0.3-3.0kgf;
 - 3. LIFE TEST: 5,000 CYCLES MIN.
 - 4. AFTER LIFE TEST, CONTACT RESISTANCE: 100mΩ MAX.
 - 5. AFTER HUMIDITY TEST, INSULATION RESISTANCE: 50MΩ MIN.
 - 6. TO CONFORM TO SINGATRON HAZARDOUS SUBSTANCE FREE SPEC.
 - 7. HALOGEN FREE PRODUCT IDENTIFICATION MARK ON PRODUCT:
 - 8. HALOGEN FREE PRODUCT IDENTIFICATION LOGO ON PACKAGING:
 - 9. FOR REFLOW SOLDERING LEAD-FREE PROCESS.
 - 10. PRINTED DATE CODE "YMMDD-" ON TOP OF CONNECTOR.



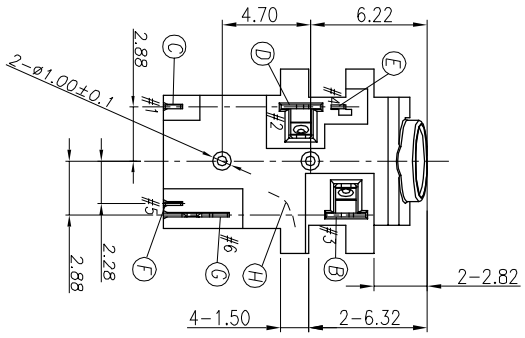
MATCH MECHANISM ID NEEDS TO AVOID INTERFERENCE WITH TERMINAL AFTER PLUG IN.

RECOMMENDED LOADING TEST PANEL'S ID



RECOMMENDED PCB LAYOUT

TOP VIEW ; TOL.±0.05



NO	DESCRIPTION	QTY	MATERIAL	PLATING & COLOR
H	SEPARATOR	1	HIGH TEMP.THERMOPLASTIC UL 94V-0	BLACK
G	MAKE TERMINAL	1	PHOSPHOR BRONZE 0.2t	
F	TRANSFER TERMINAL	1	PHOSPHOR BRONZE 0.2t	
E	EARTH	1	PHOSPHOR BRONZE 0.2t	
D	RING A	1	PHOSPHOR BRONZE 0.2t	
C	TIP SPRING	1	PHOSPHOR BRONZE 0.2t	
B	RING B	1	PHOSPHOR BRONZE 0.2t	
A	BODY	1	HIGH TEMP.THERMOPLASTIC UL 94V-0	BLACK

UNLESS OTHERWISE SPECIFIED TOLERANCES

DECIMALS: ANGLES:

X :±0.5 X :±2°
X.X :±0.3 X.X :±1°
X.XX :±0.2

Singatron Enterprise Co., Ltd.
信亨企業股份有限公司

Ø3.50 AUDIO JACK

PART NO.2S13098-01B111F

SCALE 4:1 UNIT: mm

SIZE: A3 SHEET: 1 OF 1 REV: A

CUSTOMER COPY